



US00D694456S

(12) **United States Design Patent**  
**Rowlette, Jr. et al.**

(10) **Patent No.:** **US D694,456 S**

(45) **Date of Patent:** **\*\* Nov. 26, 2013**

(54) **LIGHTING MODULE**

(75) Inventors: **John R. Rowlette, Jr.**, Raleigh, NC  
(US); **Jeremy Johnson**, Fuquay Varina,  
NC (US)

(73) Assignee: **Cree, Inc.**, Durham, NC (US)

(\*\*) Term: **14 Years**

(21) Appl. No.: **29/404,382**

(22) Filed: **Oct. 20, 2011**

(51) **LOC (9) Cl.** ..... **26-05**

(52) **U.S. Cl.**  
USPC ..... **D26/74**

(58) **Field of Classification Search**

USPC ..... D26/24, 72, 80, 81, 83, 85, 88, 89, 91,  
D26/113, 118, 123, 124, 138, 74, 76;  
362/145, 146, 147, 148, 150, 153, 294,  
362/296.01, 296.07, 296.08, 311.07,  
362/311.09, 311.1, 345, 364, 365, 366, 373  
See application file for complete search history.

(56) **References Cited**

**U.S. PATENT DOCUMENTS**

D47,607 S	7/1915	Owen	
D109,740 S	5/1938	Stewart	
D238,185 S	12/1975	Wellward et al.	
D325,999 S	5/1992	Sonneman	
D341,442 S	11/1993	Shapiro	
D383,564 S	9/1997	Lecluze	
5,664,869 A *	9/1997	Bitton	362/147
D386,805 S	11/1997	Bonnette et al.	
D397,472 S	8/1998	Lecluze	
5,800,038 A	9/1998	McCool	
D399,590 S	10/1998	Lecluze	
D400,274 S	10/1998	Ziaylek, Jr. et al.	

(Continued)

**FOREIGN PATENT DOCUMENTS**

CN	3557377	8/2006
EM	000380670-0001	8/2005

(Continued)

**OTHER PUBLICATIONS**

International Search Report for PCT/US2011/062990 mailed Apr. 12, 2012, 10 pages.

(Continued)

*Primary Examiner* — Angela J Lee

(74) *Attorney, Agent, or Firm* — Withrow & Terranova, P.L.L.C.

(57) **CLAIM**

The ornamental design for lighting module, as shown and described.

**DESCRIPTION**

FIG. 1 is a front plan view of a lighting module according to a first embodiment, wherein the lighting module is a light source.

FIG. 2 is a first front perspective view of the lighting module of the first embodiment.

FIG. 3 is a second front perspective view of the lighting module of the first embodiment.

FIG. 4 is a first rear perspective view of the lighting module of the first embodiment.

FIG. 5 is a second rear perspective view of the lighting module of the first embodiment.

FIG. 6 is a rear plan view of the lighting module of the first embodiment.

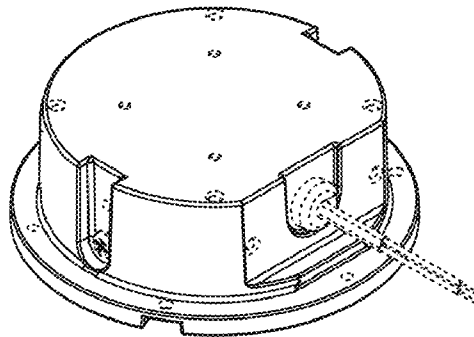
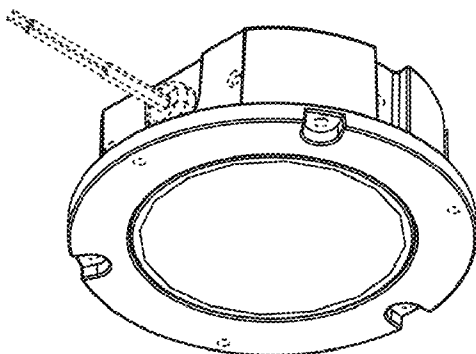
FIG. 7 is a first side plan view of the lighting module of the first embodiment.

FIG. 8 is a second side plan view of the lighting module of the first embodiment.

FIG. 9 is a third side plan view of the lighting module of the first embodiment; and,

FIG. 10 is a fourth side plan view of the lighting module of the first embodiment.

**1 Claim, 3 Drawing Sheets**



(56)

References Cited

U.S. PATENT DOCUMENTS

D411,640 S 6/1999 Lueken et al.  
 D421,316 S 2/2000 Fiorato  
 D433,179 S 10/2000 Johnson  
 6,193,392 B1 2/2001 Lodhie  
 D457,677 S 5/2002 Landefeld et al.  
 D473,966 S 4/2003 Lecluze  
 D474,298 S 5/2003 Lecluze  
 D488,251 S 4/2004 Benghozi  
 D488,583 S 4/2004 Benghozi  
 D506,280 S 6/2005 Chen  
 D508,141 S 8/2005 Rashidi  
 D508,750 S 8/2005 Rashidi  
 D509,017 S 8/2005 Rashidi  
 D509,615 S 9/2005 Rashidi  
 D544,979 S 6/2007 Hartmann, Jr. et al.  
 D547,484 S 7/2007 Guercio  
 D548,390 S 8/2007 Lecluze  
 D549,384 S 8/2007 Grawunder  
 D558,377 S \* 12/2007 Rashidi ..... D26/74  
 D558,378 S \* 12/2007 Rashidi ..... D26/74  
 D561,374 S 2/2008 Hartmann, Jr. et al.  
 D570,515 S 6/2008 Flaherty et al.  
 D574,104 S 7/2008 Sanoner  
 7,614,769 B2 11/2009 Sell  
 D606,696 S \* 12/2009 Chen et al. .... D26/74  
 D608,044 S 1/2010 Pickett  
 D609,840 S 2/2010 Tang  
 D610,292 S \* 2/2010 Yoshinobu et al. .... D26/74  
 D614,337 S 4/2010 Robinson et al.  
 D617,934 S \* 6/2010 Rashidi ..... D26/74  
 D622,434 S 8/2010 Ward et al.  
 D626,676 S 11/2010 Johnson  
 D628,733 S 12/2010 Cobb, III et al.  
 D632,822 S \* 2/2011 Bitton ..... D26/74  
 8,104,928 B1 1/2012 Horn  
 D655,855 S 3/2012 Sabernig  
 8,240,871 B2 \* 8/2012 Chou ..... 362/148  
 D671,259 S 11/2012 Chen

D671,668 S \* 11/2012 Rowlette et al. .... D26/74  
 D674,127 S \* 1/2013 Rowlette et al. .... D26/74  
 2005/0111234 A1 5/2005 Martin et al.  
 2007/0041220 A1 2/2007 Lynch  
 2008/0074889 A1 3/2008 Gloisten et al.  
 2008/0158887 A1 7/2008 Zhu et al.  
 2009/0219727 A1 9/2009 Weaver  
 2010/0110699 A1 5/2010 Chou  
 2010/0164348 A1 7/2010 Huang et al.  
 2010/0226139 A1 9/2010 Lynch et al.  
 2010/0296272 A1 11/2010 Roos et al.  
 2012/0044704 A1 \* 2/2012 Wilson et al. .... 362/365  
 2012/0140490 A1 \* 6/2012 Rowlette et al. .... 362/373

FOREIGN PATENT DOCUMENTS

FR 2909160 A1 5/2008  
 WO 2008036596 A1 3/2008  
 WO 2008061082 A2 5/2008  
 WO 2008067447 A1 6/2008  
 WO 2011037878 A1 3/2011

OTHER PUBLICATIONS

International Search Report for PCT/US2011/062992 mailed Apr. 2, 2012, 13 pages.  
 Quayle Action for U.S. Appl. No. 29/379,154 mailed May 30, 2012, 11 pages.  
 International Search Report for PCT/US2012/067754 mailed Feb. 20, 2013, 11 pages.  
 Non-final Office Action for U.S. Appl. No. 13/042,378 mailed Sep. 4, 2012, 20 pages.  
 Notice of Allowance for U.S. Appl. No. 29/379,154 mailed Aug. 13, 2012, 7 pages.  
 Restriction Requirement for U.S. Appl. No. 29/408,232 mailed Jan. 16, 2013, 5 pages.  
 Final Office Action for U.S. Appl. No. 13/042,378 mailed Feb. 4, 2013, 20 pages.

\* cited by examiner

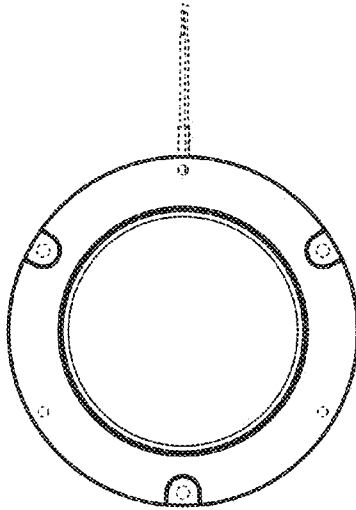


FIG. 1

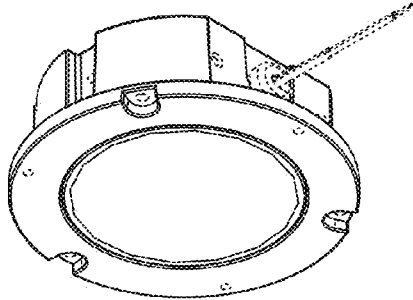


FIG. 2

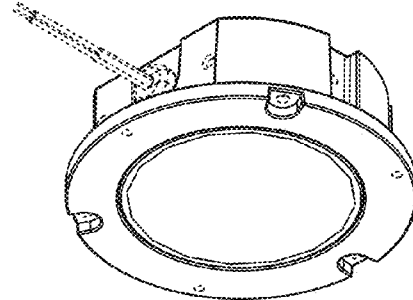


FIG. 3

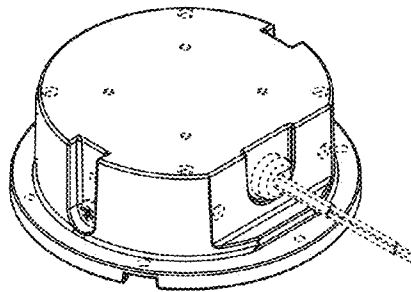


FIG. 4

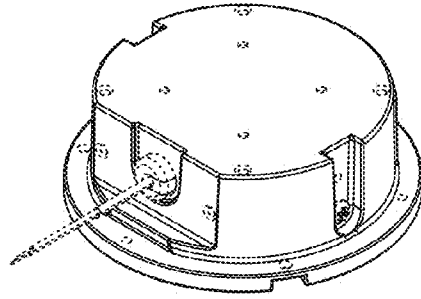


FIG. 5

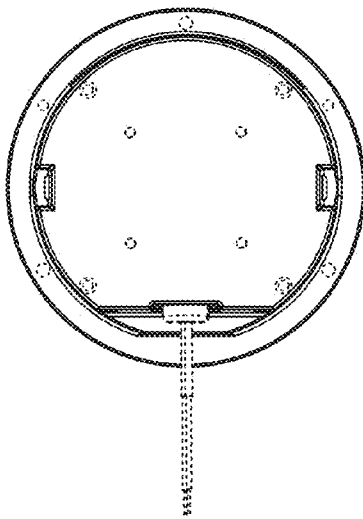


FIG. 6

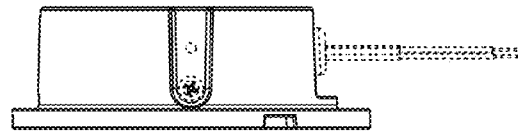


FIG. 7

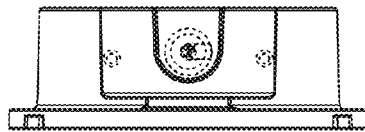


FIG. 8

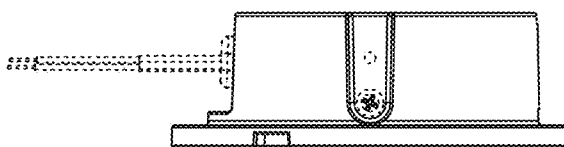


FIG. 9

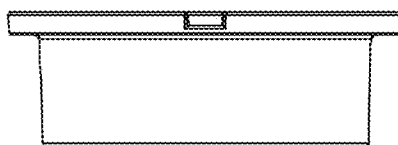


FIG. 10