



US00D706821S

(12) **United States Design Patent**
Park

(10) **Patent No.:** **US D706,821 S**

(45) **Date of Patent:** **** Jun. 10, 2014**

(54) **PORTABLE ELECTRONIC DEVICE
DISPLAYING AN ANIMATED GRAPHICAL
USER INTERFACE**

(75) Inventor: **Sang-hyun Park**, Seoul (KR)

(73) Assignee: **Samsung Electronics Co., Ltd.**,
Gyeonggi-do (KR)

(**) Term: **14 Years**

(21) Appl. No.: **29/430,390**

(22) Filed: **Aug. 24, 2012**

(30) **Foreign Application Priority Data**

Feb. 24, 2012 (KR) 30-2012-0008927

(51) **LOC (10) Cl.** **14-04**

(52) **U.S. Cl.**
USPC **D14/489**

(58) **Field of Classification Search**
USPC D14/485–495; D5/63; D19/5–8;
D20/11; 345/440–442; 348/14.03;
715/212, 215, 221, 706, 733, 763, 770,
715/773, 777, 779, 782, 783, 786, 792, 793,
715/809, 810, 846, 849, 867, 977, 976, 835,
715/211

See application file for complete search history.

(56) **References Cited**

U.S. PATENT DOCUMENTS

5,861,889	A *	1/1999	Wallace et al.	345/619
5,963,203	A *	10/1999	Goldberg et al.	715/723
6,023,275	A *	2/2000	Horvitz et al.	715/700
6,198,483	B1 *	3/2001	Launais	715/848
6,236,398	B1 *	5/2001	Kojima et al.	345/419
6,369,839	B1 *	4/2002	Peterson	715/835
6,624,826	B1 *	9/2003	Balabanovic	715/727
6,781,597	B1 *	8/2004	Vrobel et al.	345/619
D511,168	S *	11/2005	Totten et al.	D14/491
D576,635	S *	9/2008	Nathan et al.	D14/488
D602,028	S *	10/2009	Queric	D14/485

D609,715	S *	2/2010	Chaudhri	D14/486
D611,053	S *	3/2010	Kanga et al.	D14/485
D623,657	S *	9/2010	Fitzmaurice et al.	D14/488
D627,361	S *	11/2010	Lew et al.	D14/485
D628,586	S *	12/2010	Umezawa et al.	D14/492
D633,920	S *	3/2011	Luke et al.	D14/488
D637,606	S *	5/2011	Luke et al.	D14/488
D651,608	S *	1/2012	Allen et al.	D14/485
D654,504	S *	2/2012	Pearson et al.	D14/486
D656,506	S *	3/2012	Jones et al.	D14/485

(Continued)

Primary Examiner — Karen S Acker

(74) *Attorney, Agent, or Firm* — Harness, Dickey & Pierce, P.L.C.

(57) **CLAIM**

I claim the ornamental design for a portable electronic device displaying an animated graphical user interface, as shown and described.

DESCRIPTION

FIG. 1 is a front view of a first image in a sequence for a portable electronic device displaying an animated graphical user interface, showing my new design;

FIG. 2 is the second image thereof;

FIG. 3 is the third image thereof;

FIG. 4 is the fourth image thereof;

FIG. 5 is the fifth image thereof;

FIG. 6 is the sixth image thereof;

FIG. 7 is the seventh image thereof;

FIG. 8 is the eighth image thereof;

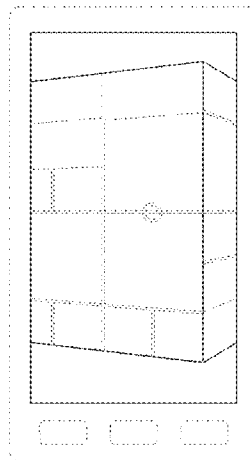
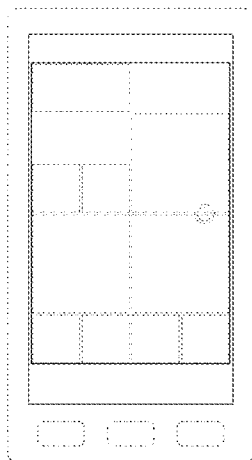
FIG. 9 is the ninth image thereof; and,

FIG. 10 is the tenth image thereof.

The broken lines in the drawings representing unclaimed parts of the portable electronic device displaying an animated graphical user interface form no part of the claimed design.

The appearance of the animated graphical user interface sequentially transitions between the images shown in FIGS. 1-10. The process or period in which one image transitions to another image forms no part of the claimed design.

1 Claim, 10 Drawing Sheets



(56)

References Cited

U.S. PATENT DOCUMENTS

8,140,990	B2 *	3/2012	Pedersen et al.	715/764	D687,446	S *	8/2013	Arnold et al.	D14/485
D658,676	S *	5/2012	Gleasant et al.	D14/488	D690,320	S *	9/2013	Frijlink et al.	D14/488
D664,552	S *	7/2012	Gleasant et al.	D14/486	D695,755	S *	12/2013	Hwang et al.	D14/485
D675,638	S *	2/2013	Woo et al.	D14/487	2006/0109283	A1 *	5/2006	Shipman et al.	345/629
D682,842	S *	5/2013	Kurata et al.	D14/485	2007/0300184	A1 *	12/2007	Song	715/810
					2008/0120571	A1 *	5/2008	Chang et al.	715/810
					2011/0041048	A1 *	2/2011	Schmer et al.	715/212

* cited by examiner

FIG. 1

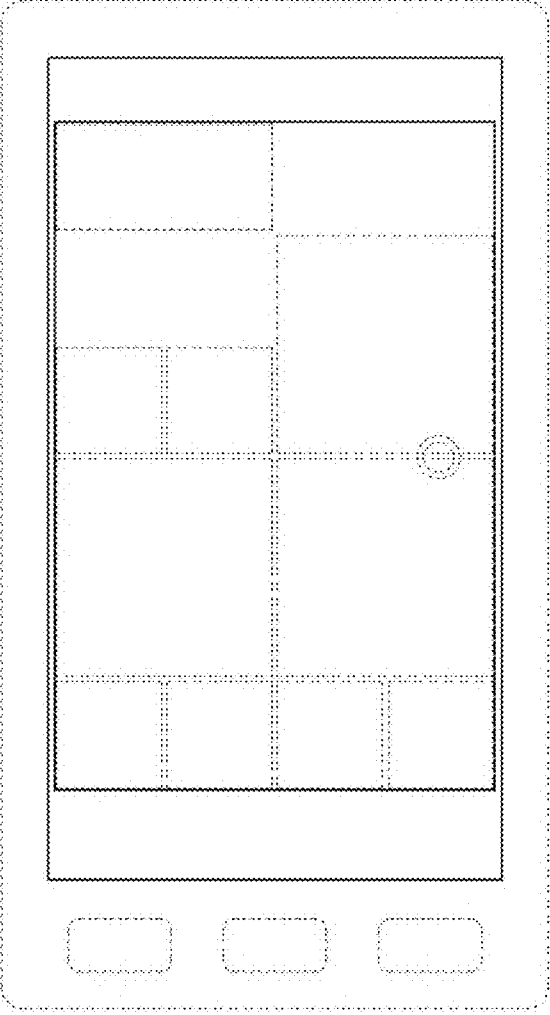


FIG. 2

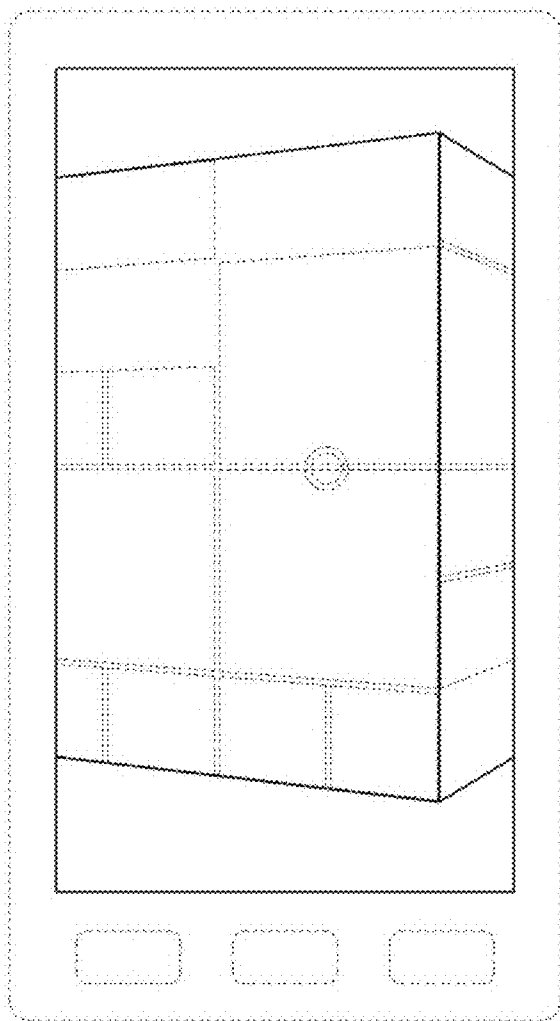


FIG. 3

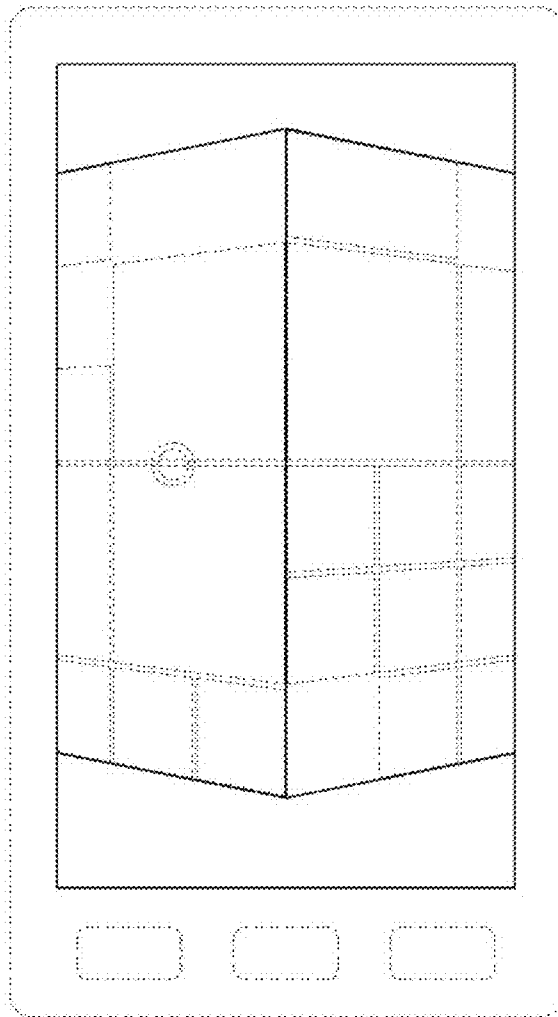


FIG. 4

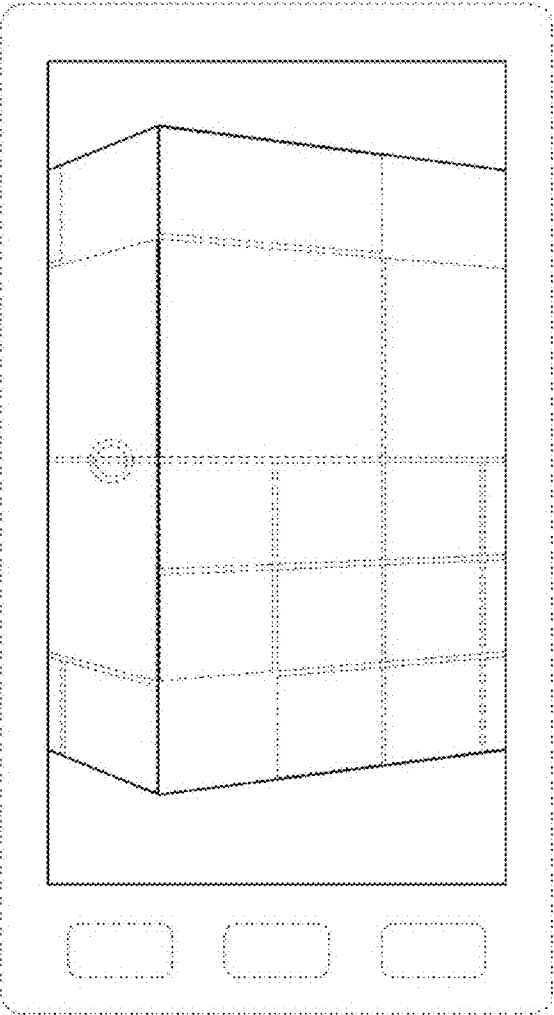


FIG. 5

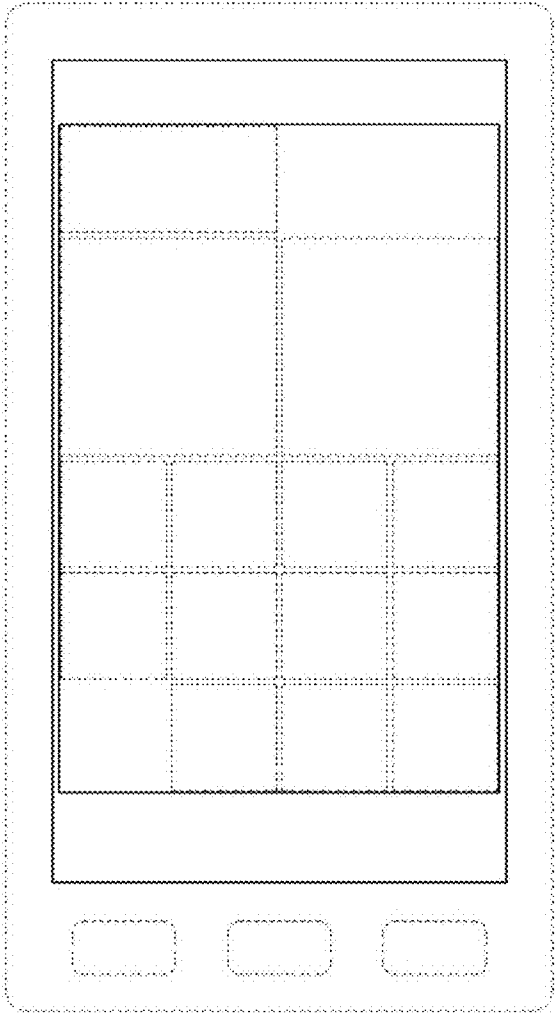


FIG. 6

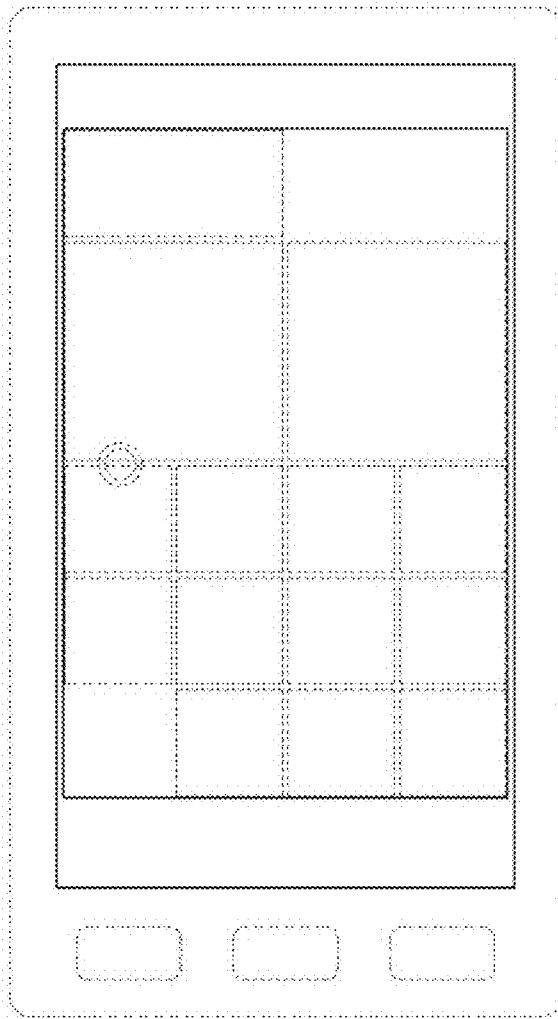


FIG. 7

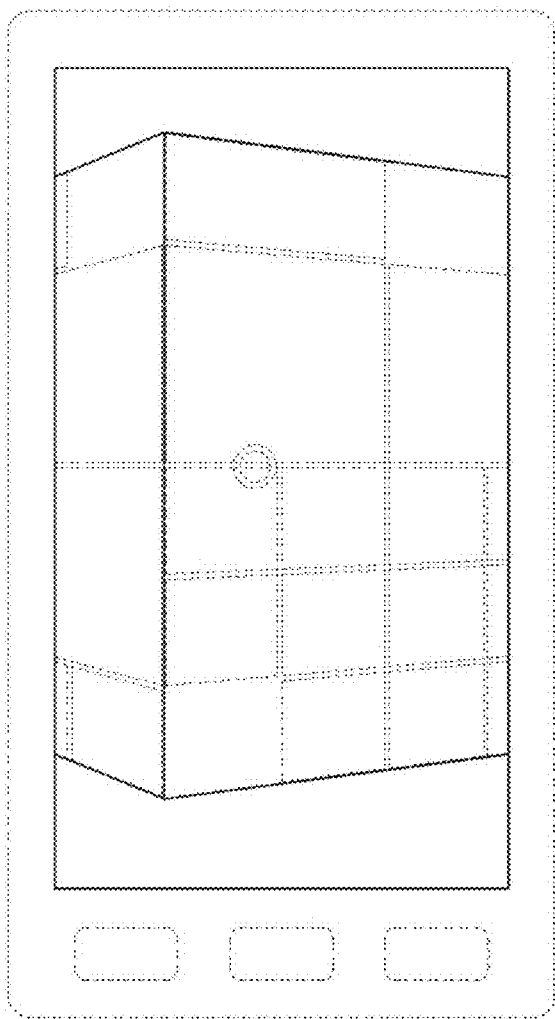


FIG. 8

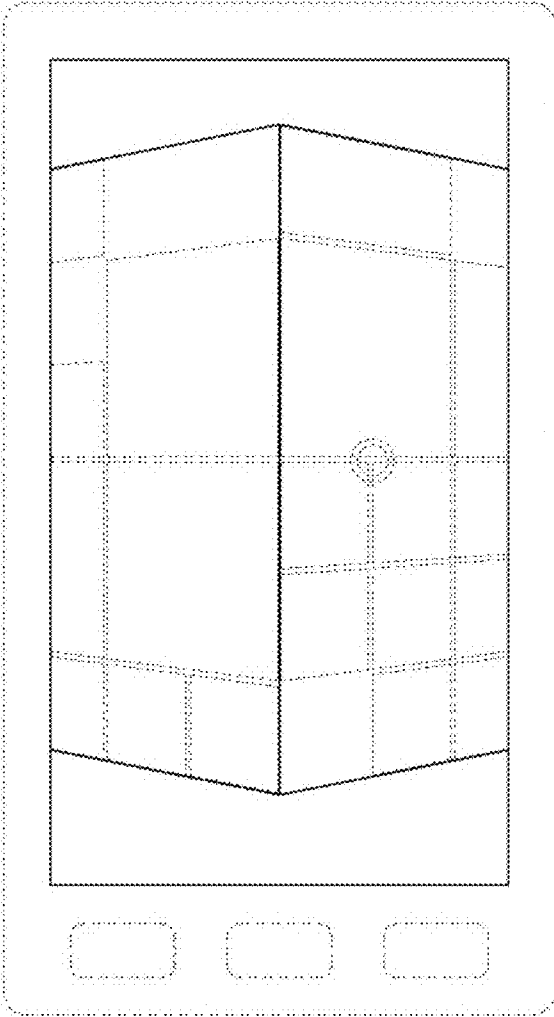


FIG. 9

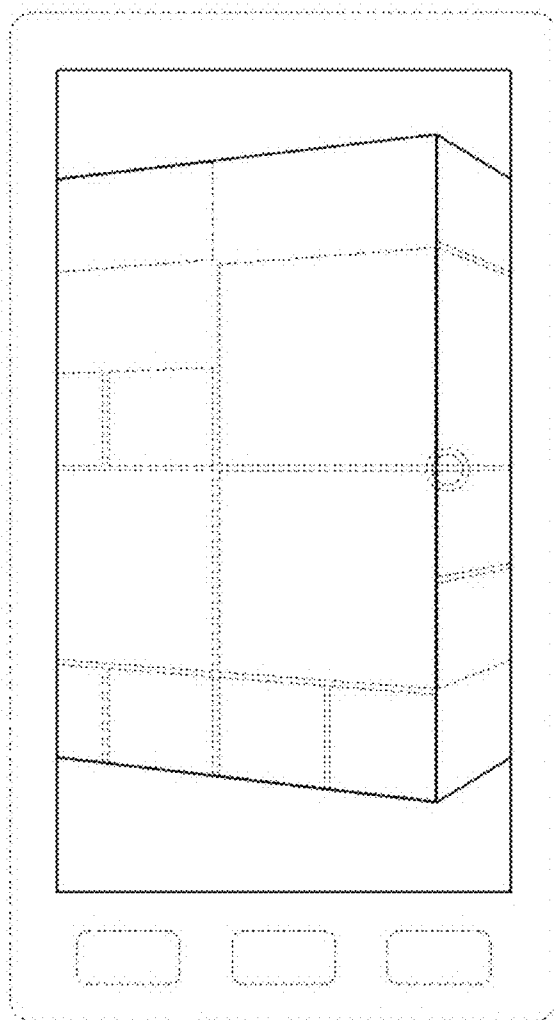


FIG. 10

