



US00D876497S

(12) **United States Design Patent**
Yu et al.

(10) **Patent No.:** **US D876,497 S**

(45) **Date of Patent:** **** Feb. 25, 2020**

(54) **REFRIGERATOR**

(56) **References Cited**

(71) Applicant: **LG ELECTRONICS INC.**, Seoul (KR)

U.S. PATENT DOCUMENTS

(72) Inventors: **Seonil Yu**, Seoul (KR); **Kyutae Park**, Seoul (KR); **Daesung Lee**, Seoul (KR); **Hyun Choi**, Seoul (KR); **Junyi Heo**, Seoul (KR)

D615,565 S * 5/2010 Kristiansen D15/86
D629,022 S * 12/2010 Cho D15/85

(Continued)

Primary Examiner — Richard E Chilcot

(74) *Attorney, Agent, or Firm* — Birch, Stewart, Kolasch & Birch, LLP

(73) Assignee: **LG ELECTRONICS INC.**, Seoul (KR)

(**) Term: **15 Years**

(57) **CLAIM**

The ornamental design for a refrigerator, as shown and described.

(21) Appl. No.: **35/505,416**

(22) Filed: **Feb. 7, 2018**

DESCRIPTION

(80) **Hague Agreement Data**

Int. Filing Date: **Feb. 7, 2018**
Int. Reg. No.: **DM/100438**
Int. Reg. Date: **Feb. 7, 2018**
Int. Reg. Pub. Date: **Aug. 10, 2018**

- 1. Refrigerator
- 1.1 : Perspective
- 1.2 : Front
- 1.3 : Back
- 1.4 : Left
- 1.5 : Right
- 1.6 : Top
- 1.7 : Bottom
- 1.8 : Perspective view 2
- 1.9 : Front view 2
- 1.10 : Back view 2
- 1.11 : Left view 2
- 1.12 : Right view 2
- 1.13 : Top view 2
- 1.14 : Bottom view 2
- 1.15 : Another perspective view of reproduction 1.8 showing the shelf in an unfolded position
- 1.16 : Perspective view 3
- 1.17 : Front view 3
- 1.18 : Back view 3
- 1.19 : Left view 3
- 1.20 : Right view 3
- 1.21 : Top view 3
- 1.22 : Bottom view 3

(30) **Foreign Application Priority Data**

Aug. 8, 2017 (KR) 30-2017-0036774

(51) **LOC (12) Cl.** **15-07**

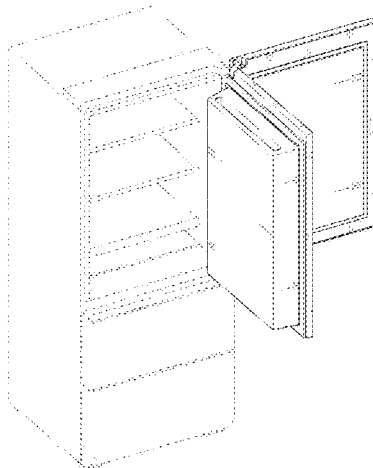
(52) **U.S. Cl.**
USPC **D15/89**

(58) **Field of Classification Search**

USPC D15/79-91
CPC F25D 25/025; F25D 23/028; F25D 2323/024; F25D 23/00; F25D 23/02; F25D 2323/021; F25D 23/065; F25D 11/00; F25D 2201/14; F25D 23/021; F25D 23/025; F25D 23/04; F25D 27/00; F25D 23/062; F25D 23/067; F25D 2400/18; F25D 23/08; F25D 23/085; F25D 2500/02; F25D 25/00; F25D 25/005; F25D 25/022; F25D 25/024; F25D

(Continued)

(Continued)



The broken lines depict portions of the refrigerator that form no part of the claimed design.

1 Claim, 22 Drawing Sheets

(52) **U.S. Cl.**

CPC *F25D 25/025* (2013.01)

(58) **Field of Classification Search**

CPC 17/047; F25D 2317/041; F25D 231/04131;
F25D 2317/043; F25D 2317/0664; F25D
2321/147; F25D 2323/02; F25D 2323/023

See application file for complete search history.

(56)

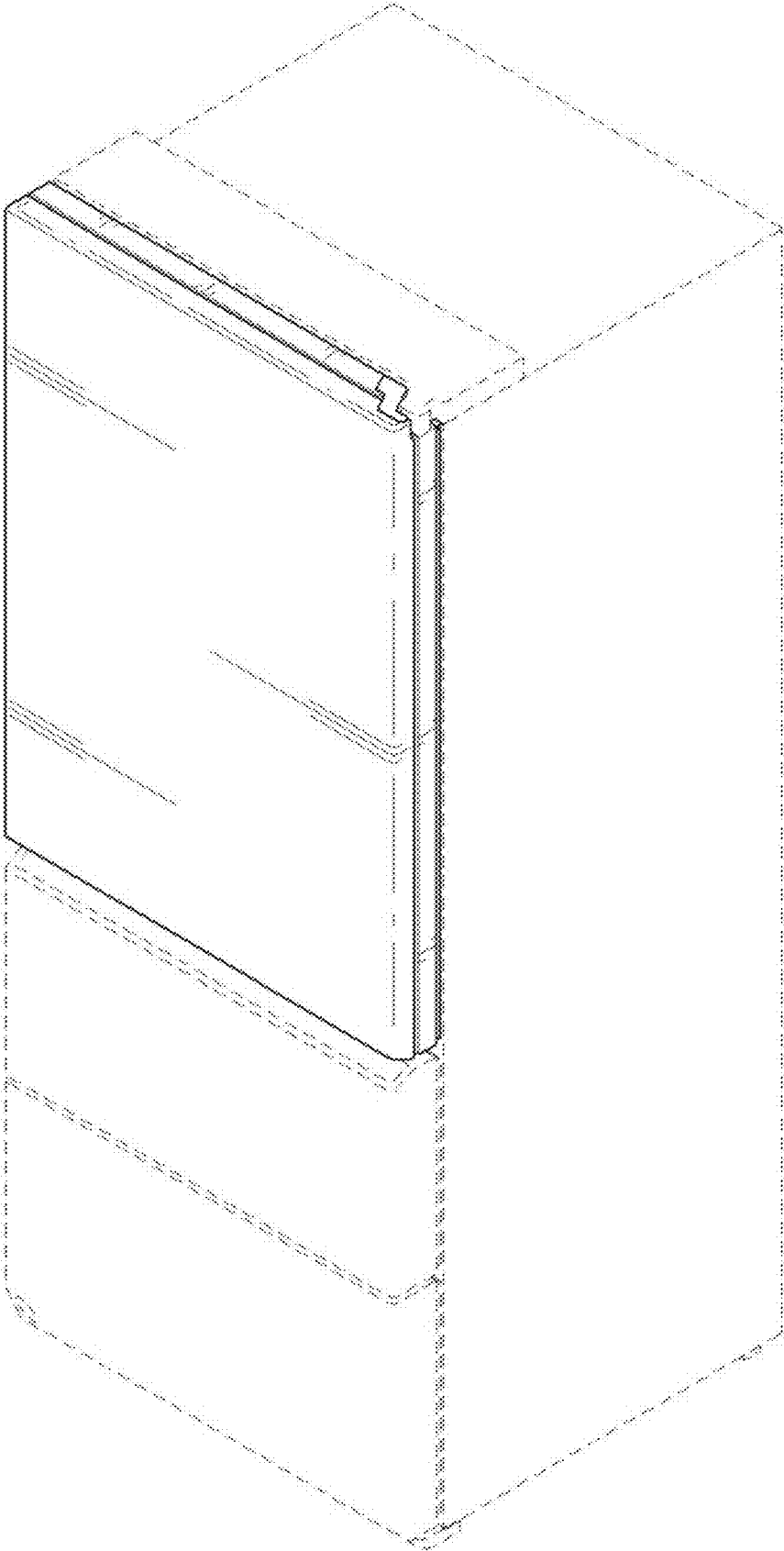
References Cited

U.S. PATENT DOCUMENTS

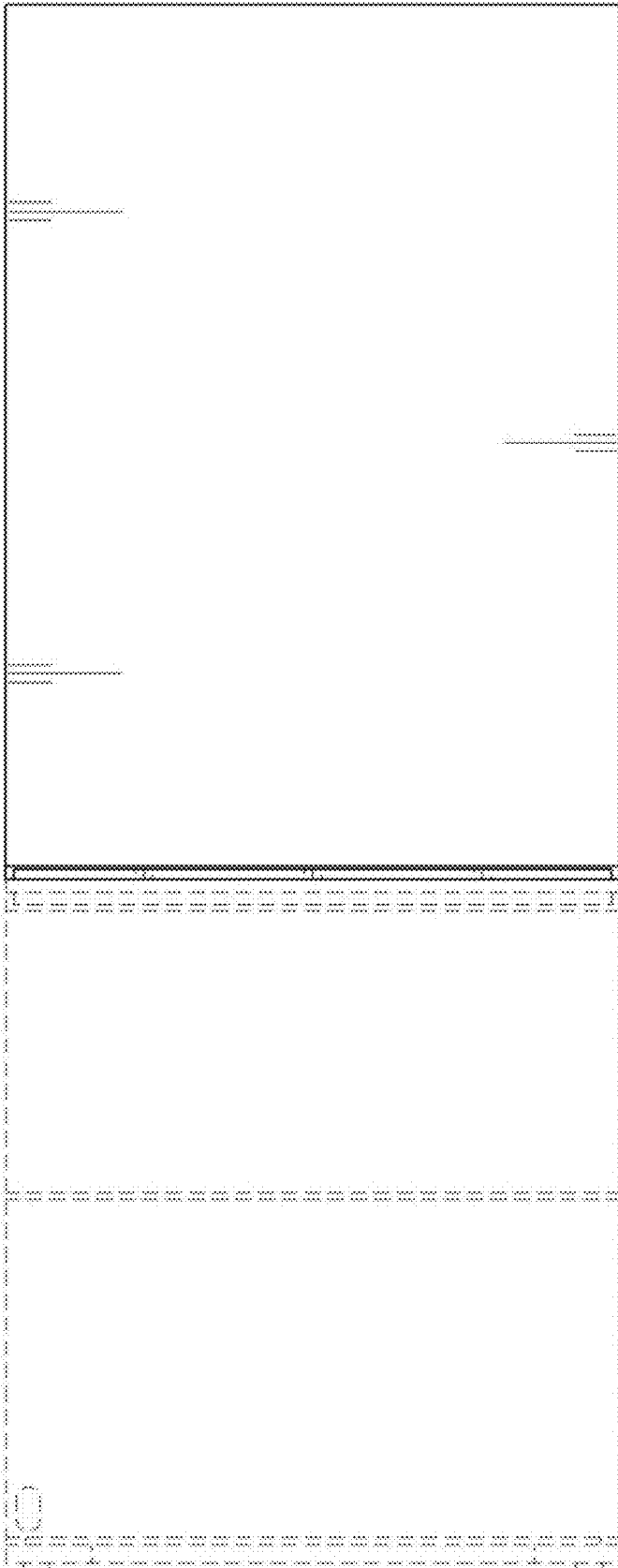
D656,967	S	*	4/2012	Yi	D15/86
D673,189	S	*	12/2012	Kwak	D15/86
D681,075	S	*	4/2013	Yi	D15/86
D691,644	S	*	10/2013	Cho	D15/86
D701,539	S	*	3/2014	Saejin	D15/85
D702,739	S	*	4/2014	Kim	D15/86
D724,629	S	*	3/2015	Choi	D15/85
D729,286	S	*	5/2015	Kwak	D15/85
D732,584	S	*	6/2015	Sin	D15/86
D742,434	S	*	11/2015	Yeo	D15/86
D767,648	S	*	9/2016	Shoemaker	D15/86
D826,998	S	*	8/2018	Lee	D15/91

* cited by examiner

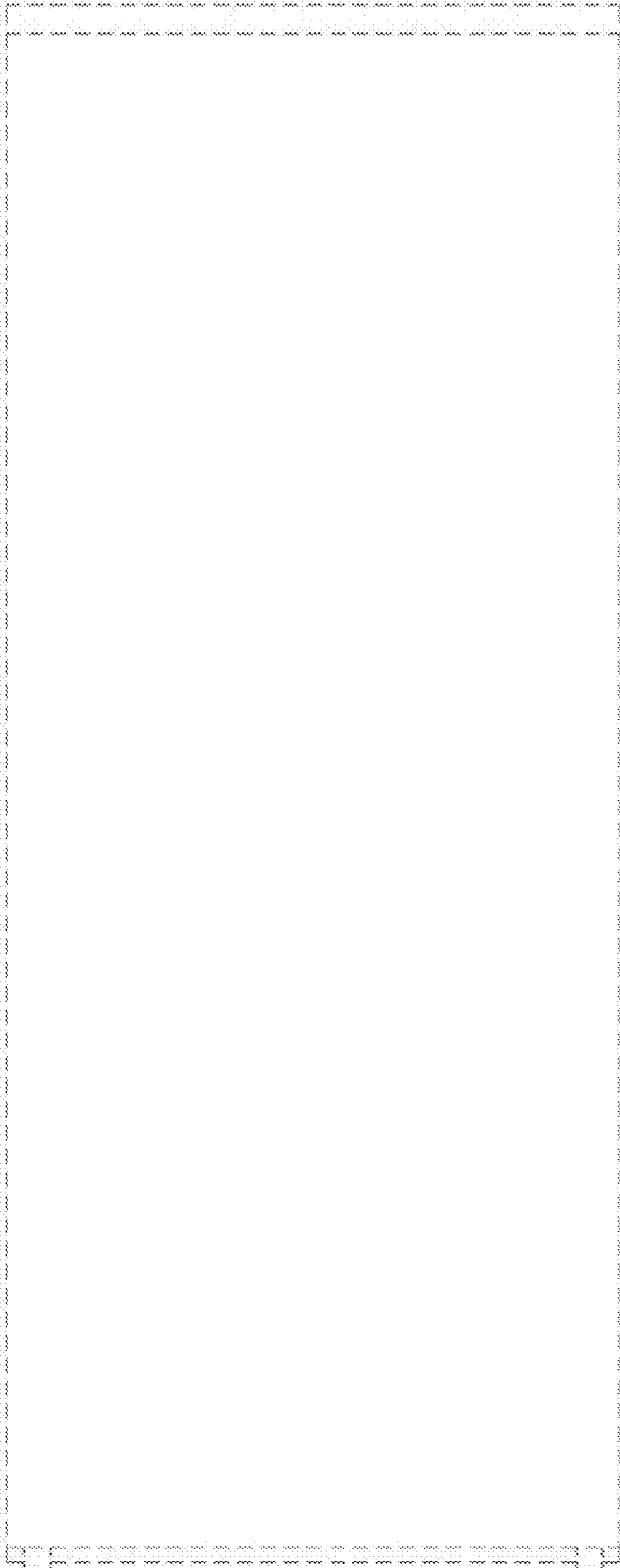
1.1



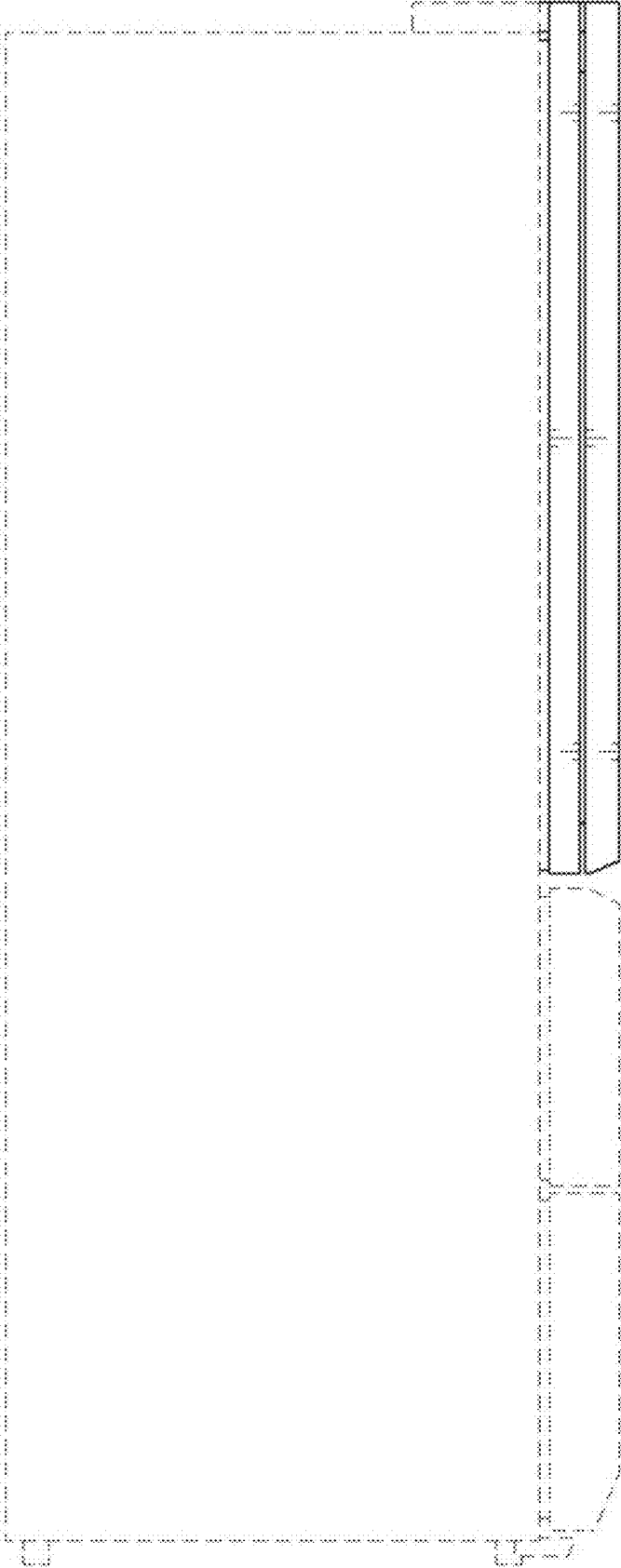
1.2



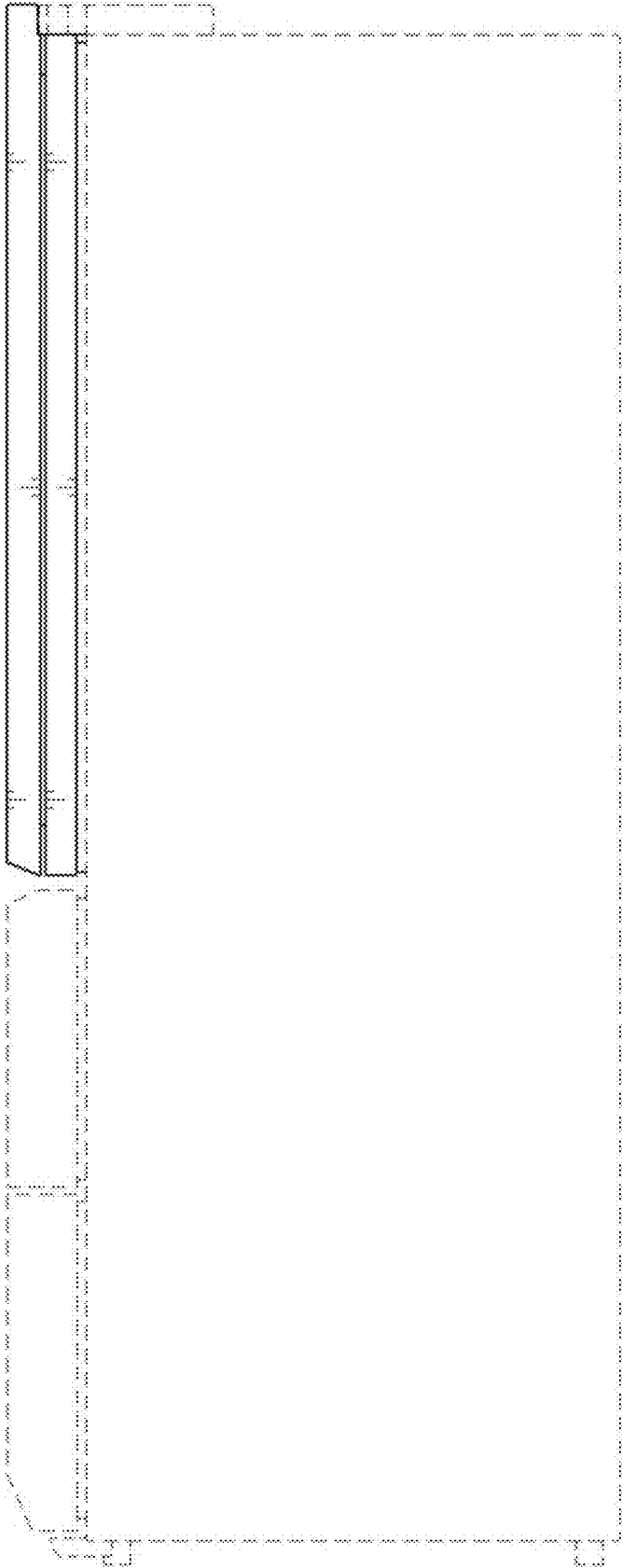
1.3



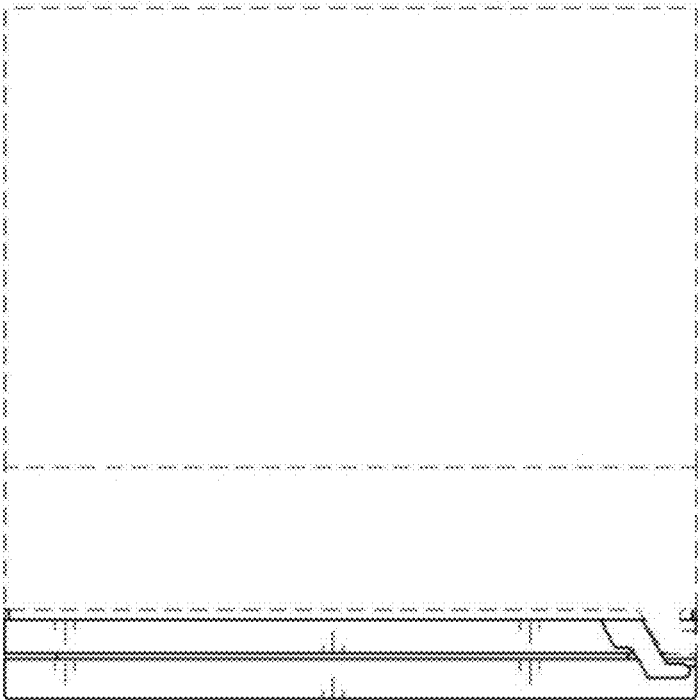
1.4



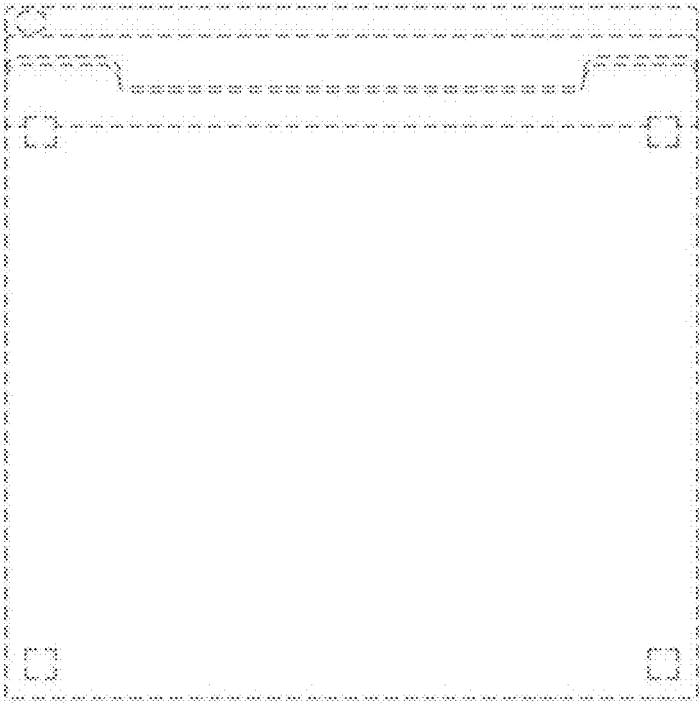
1.5



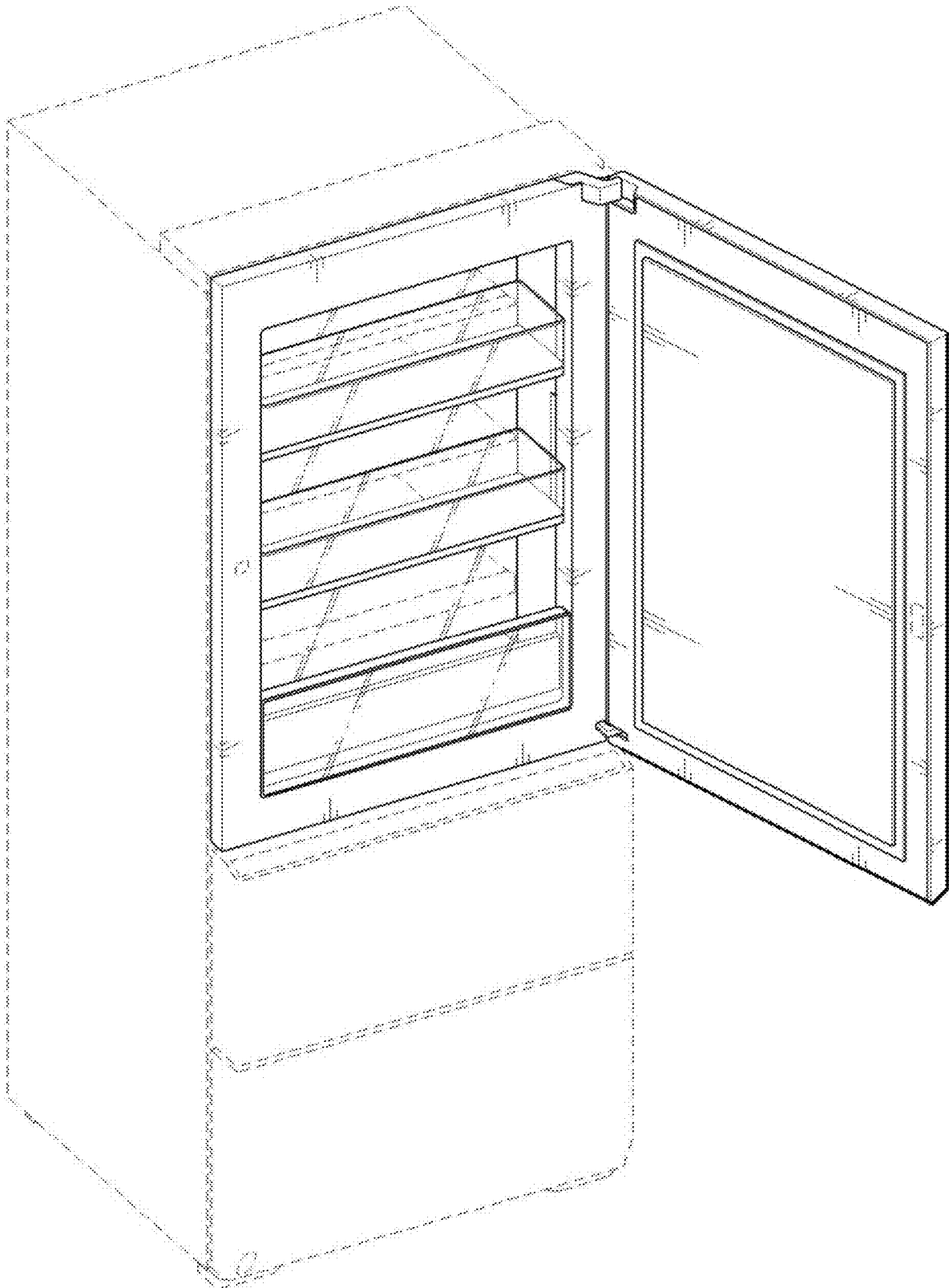
1.6



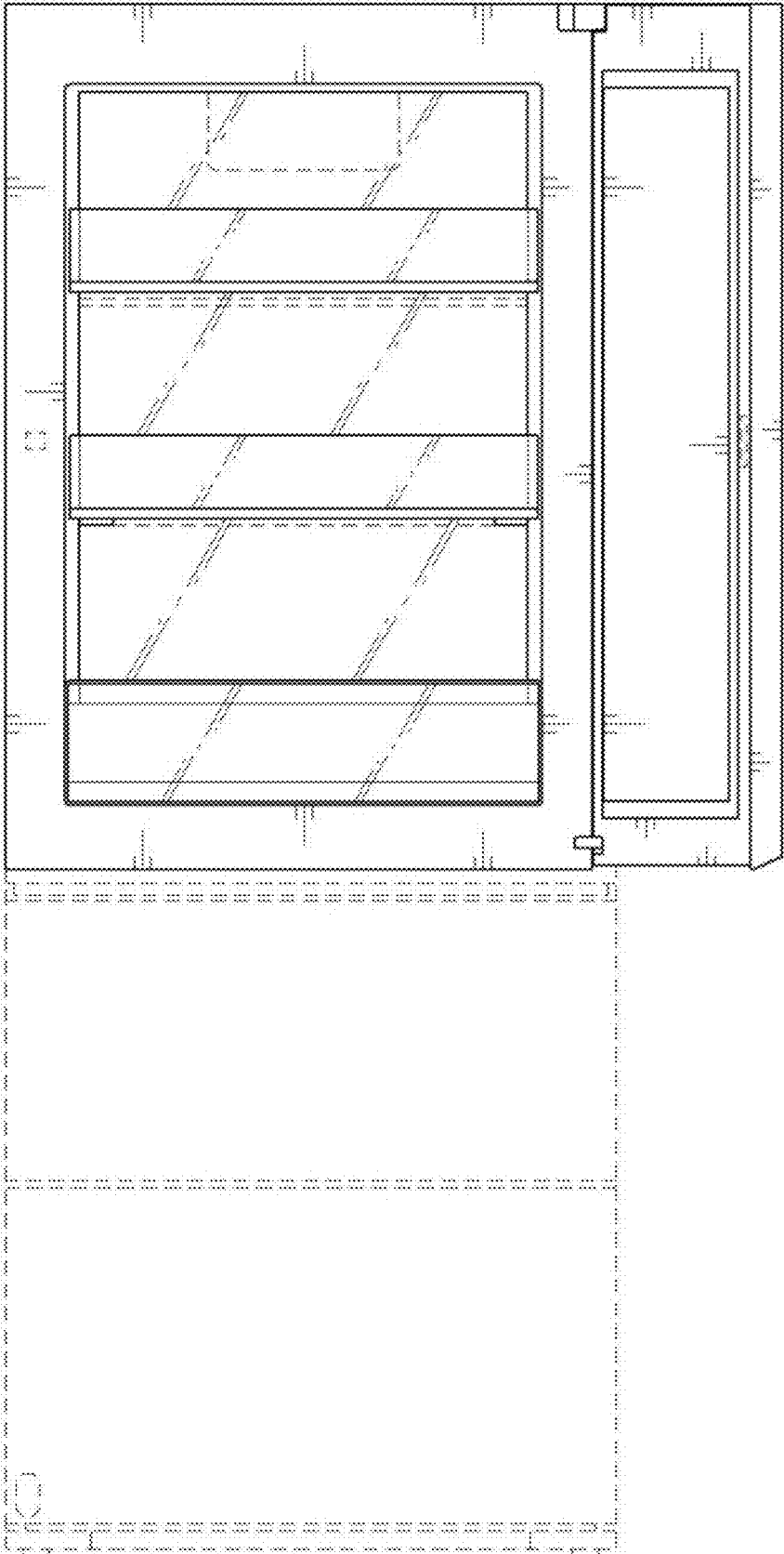
1.7



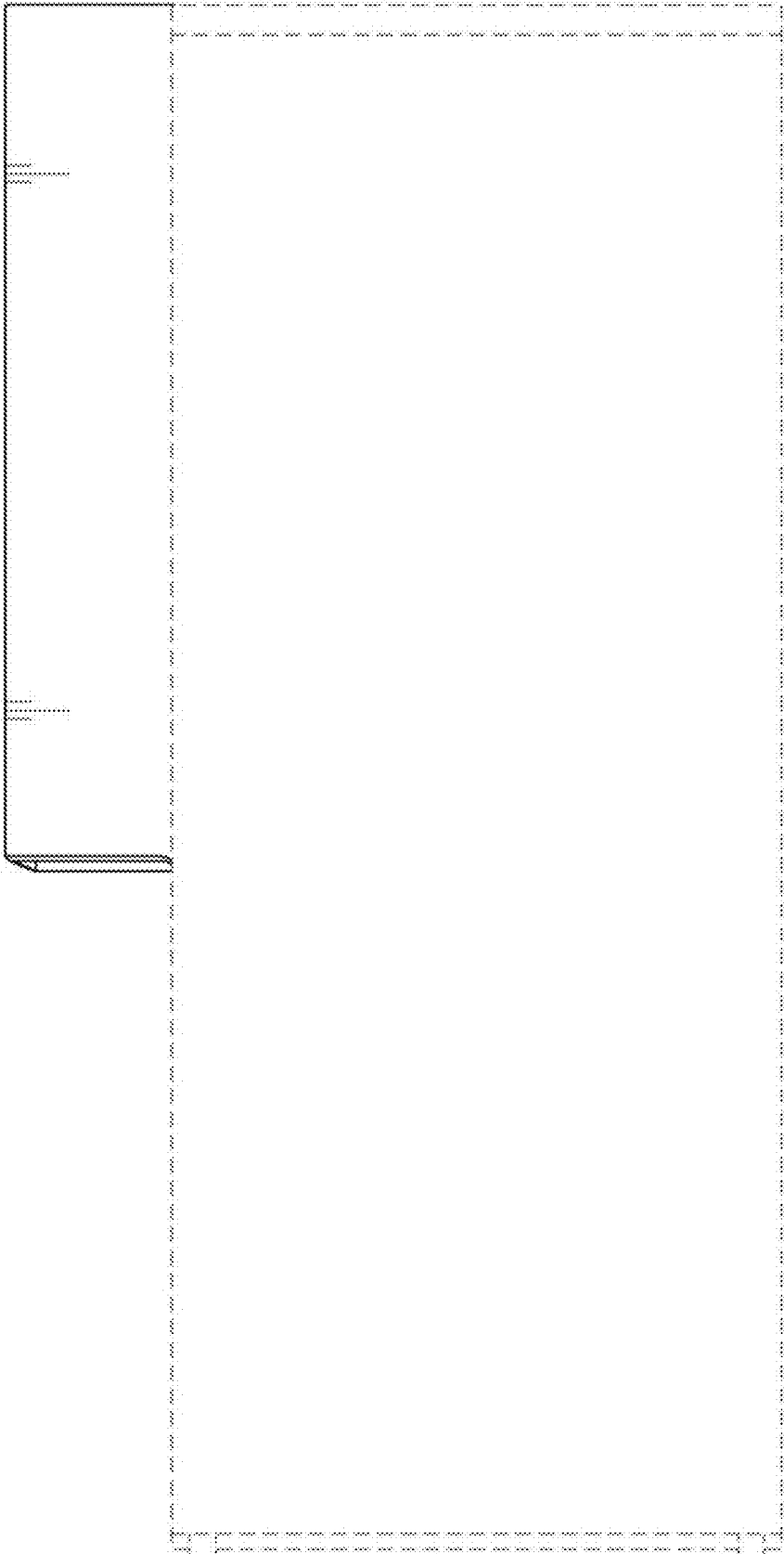
1.8



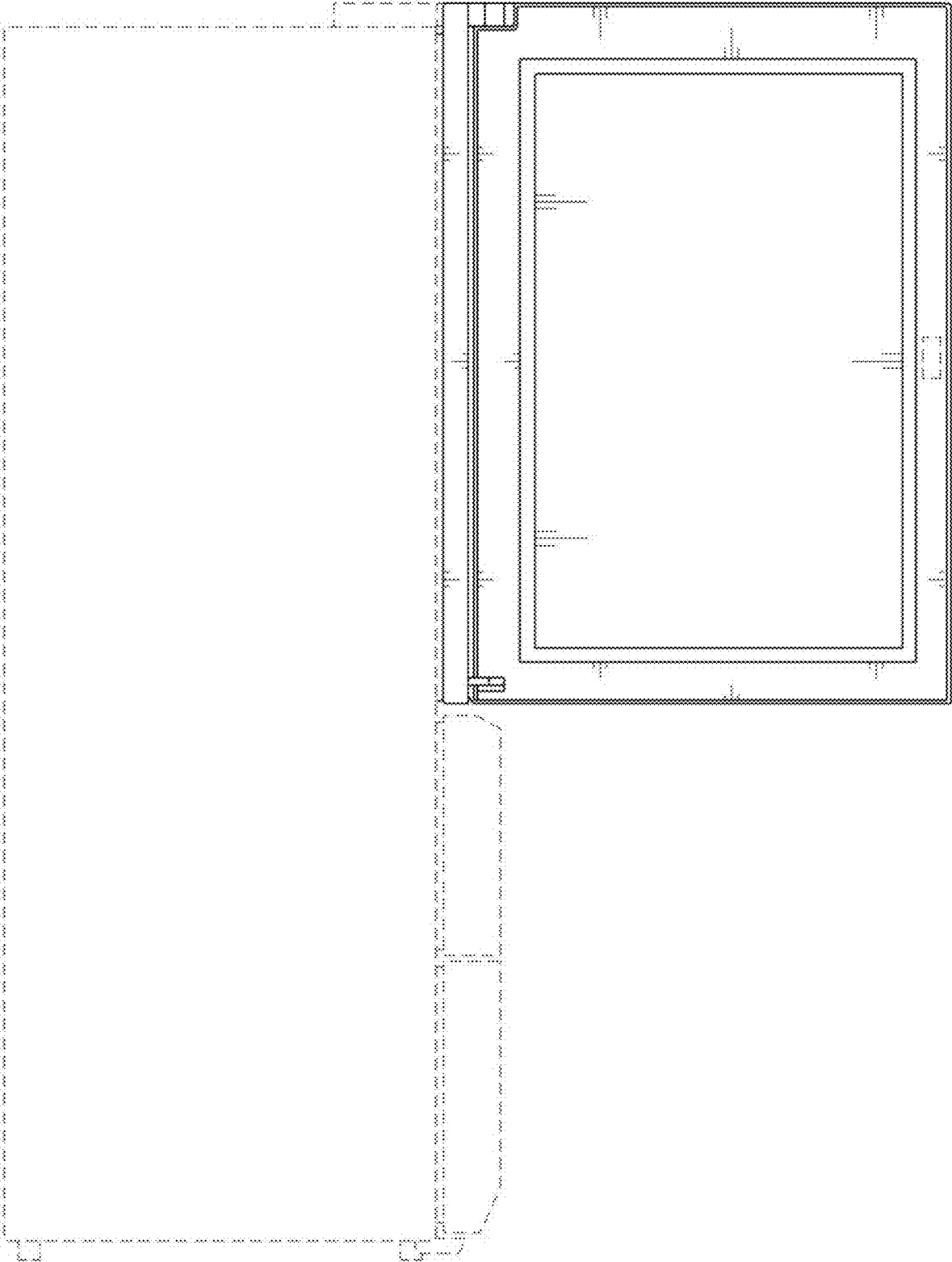
1.9



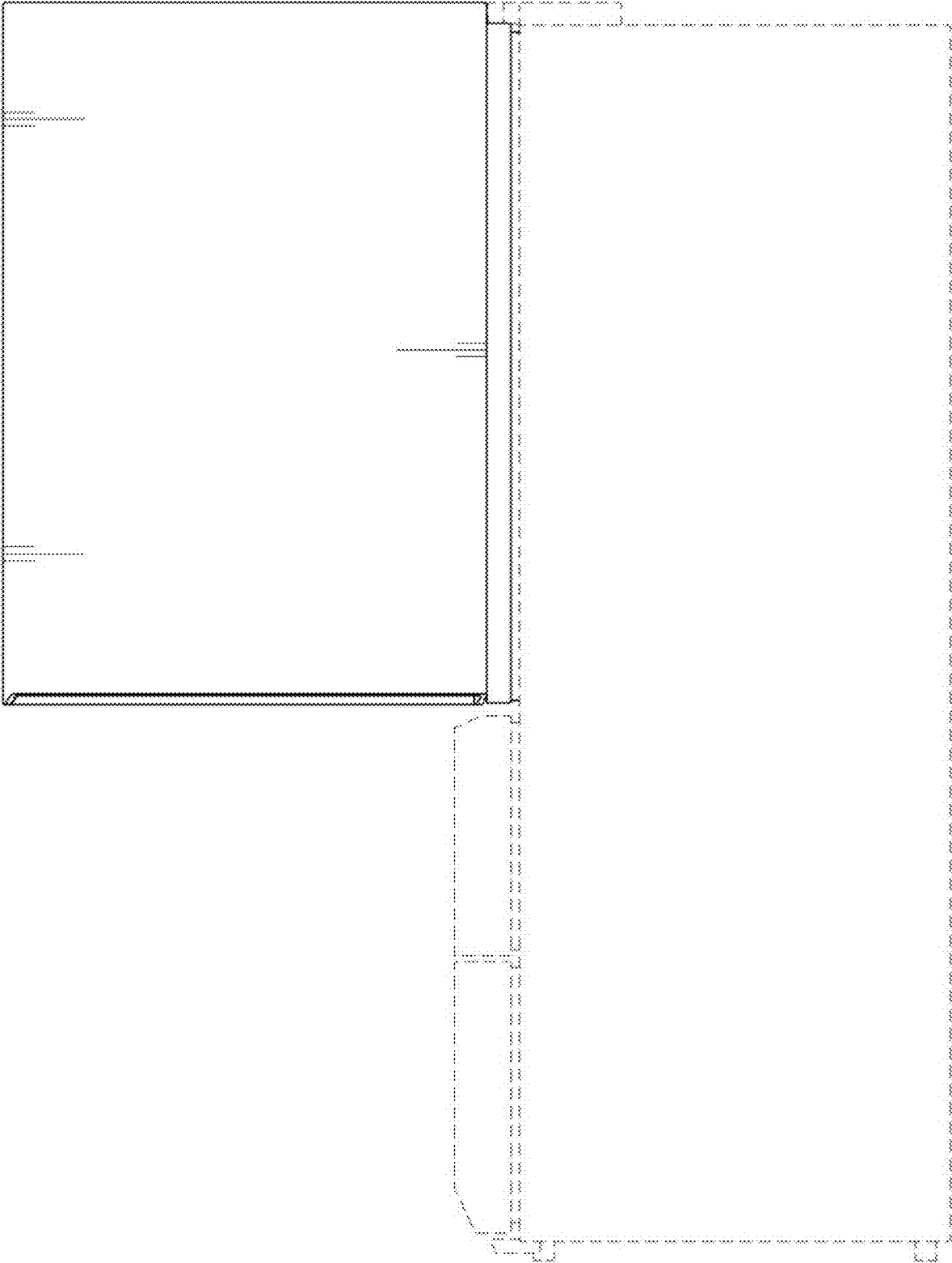
1.10



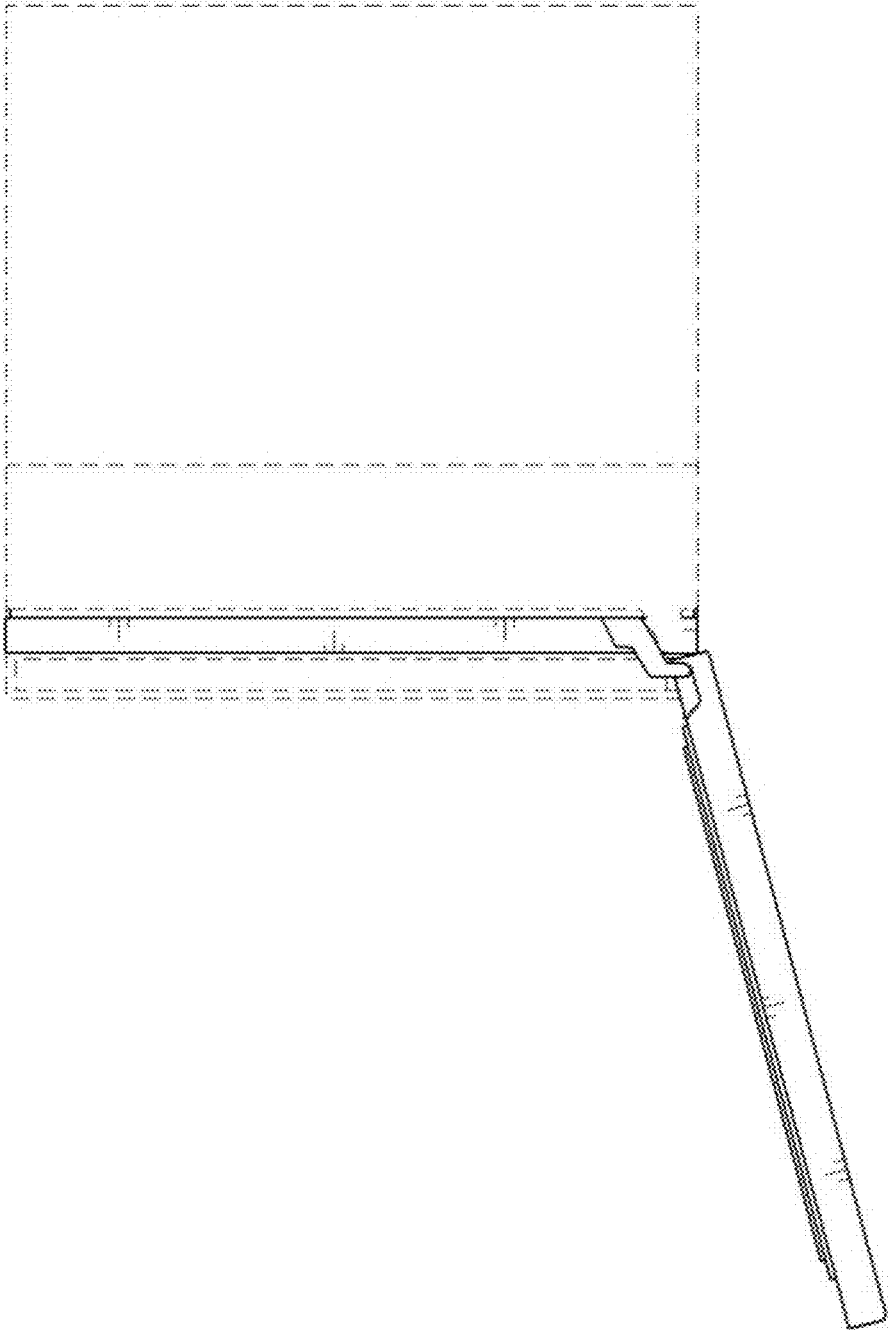
1.11



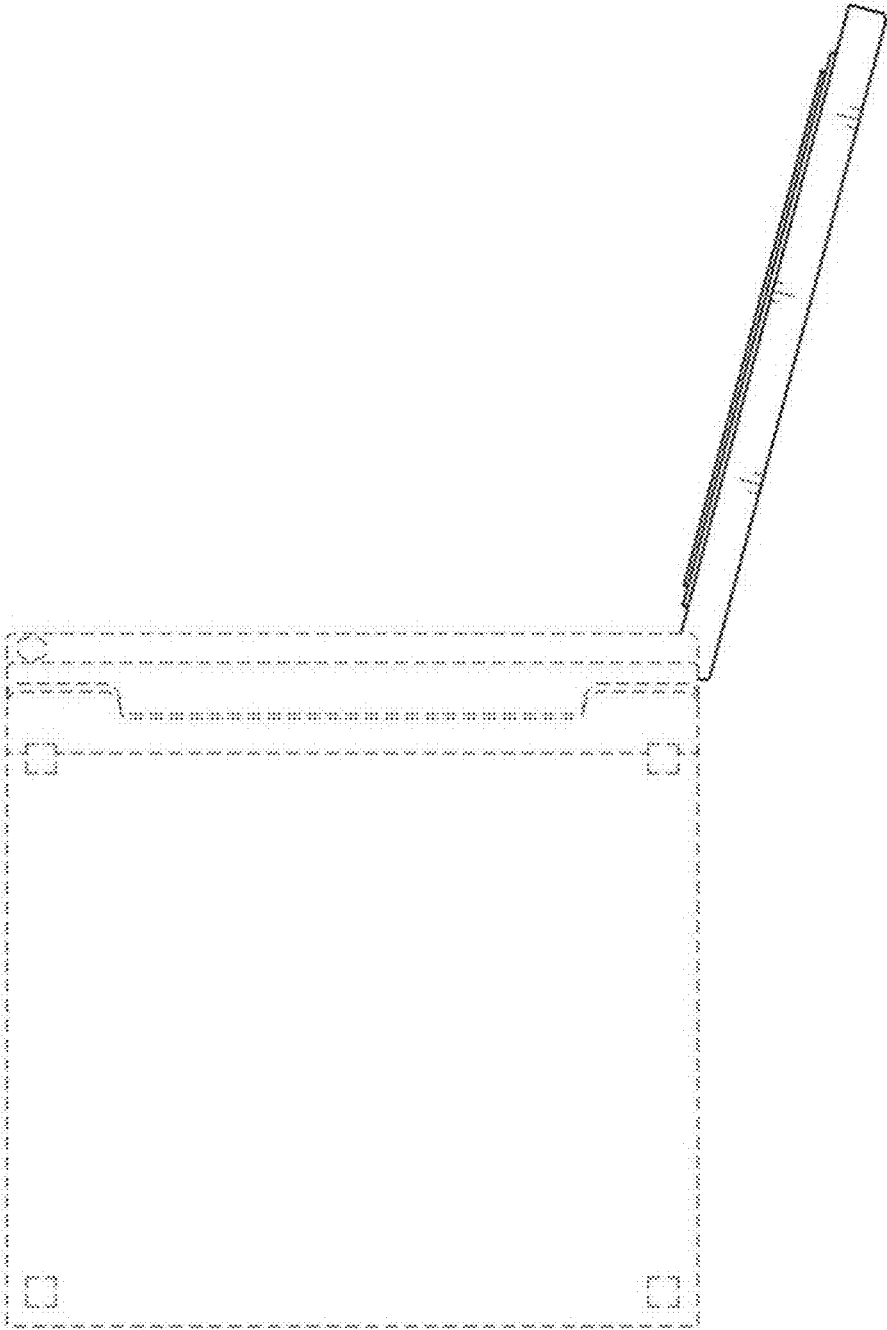
1.12



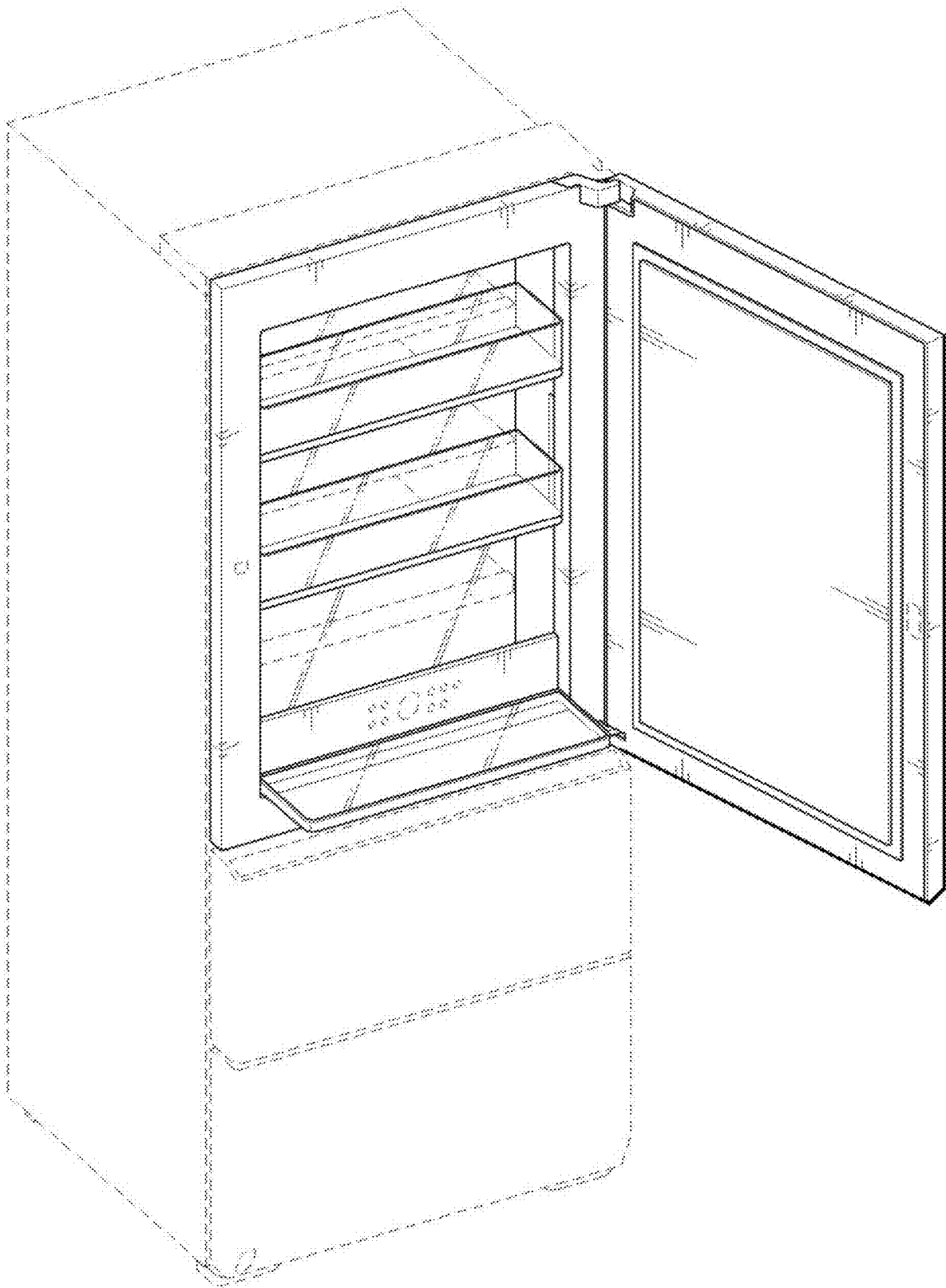
1.13



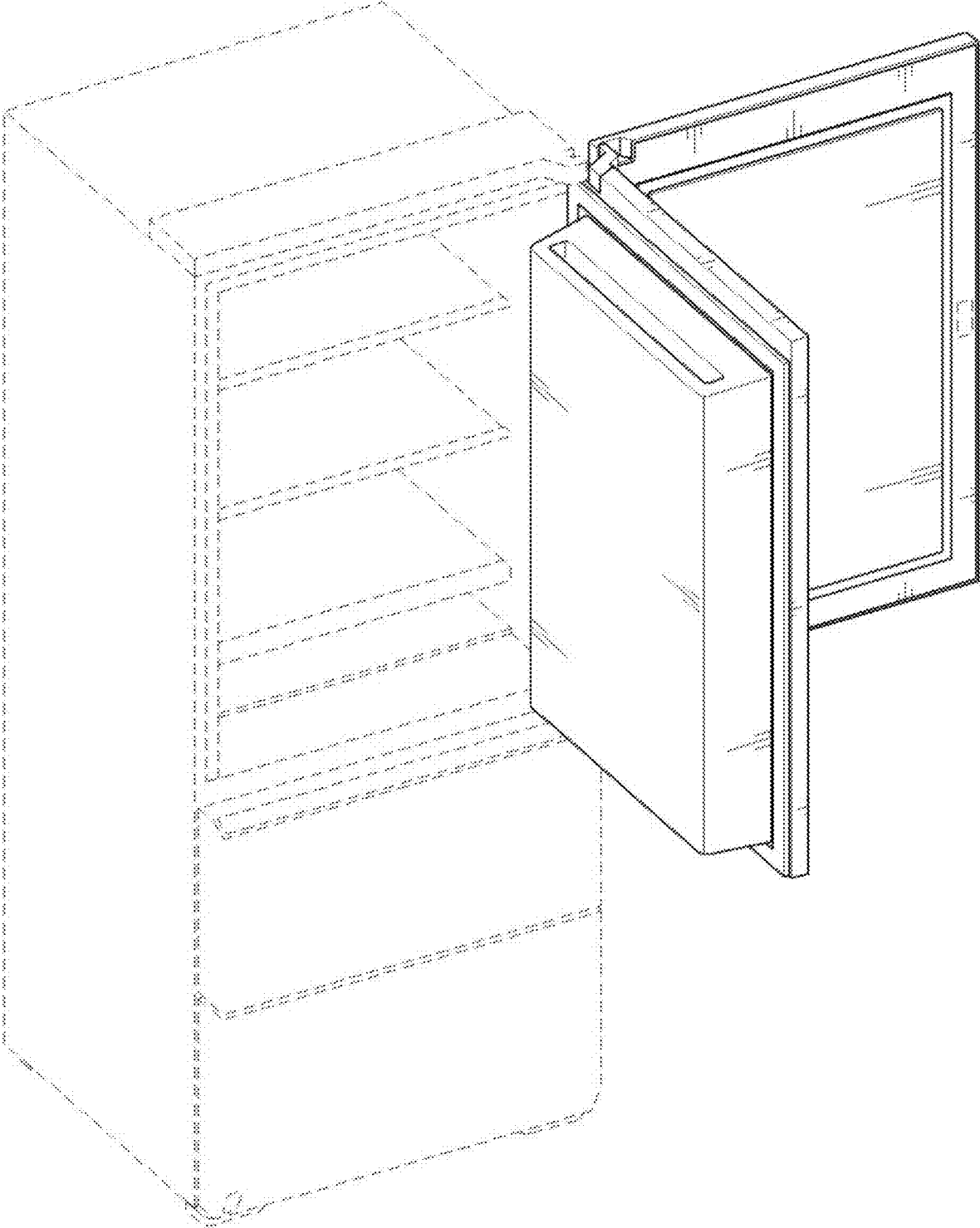
1.14



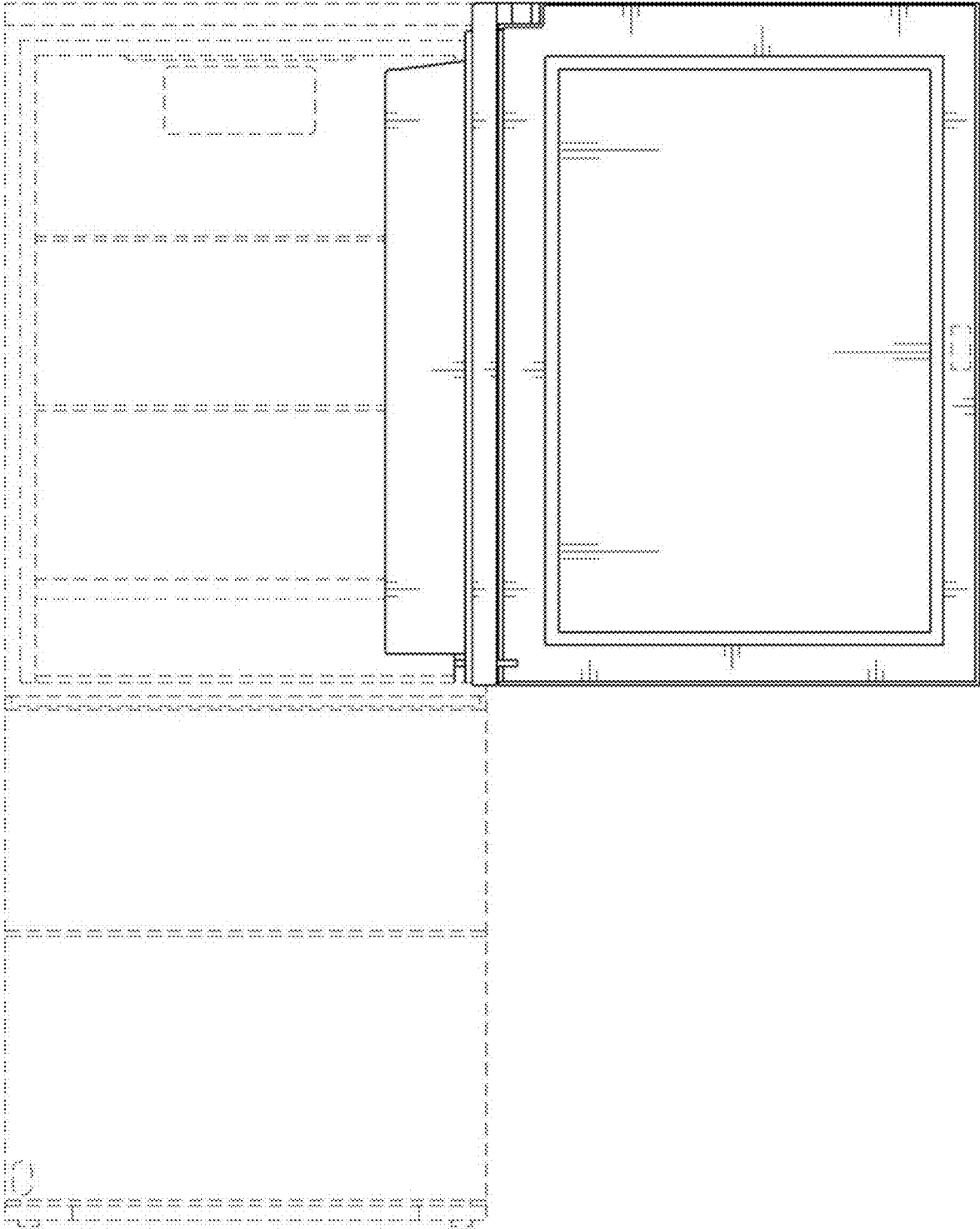
1.15



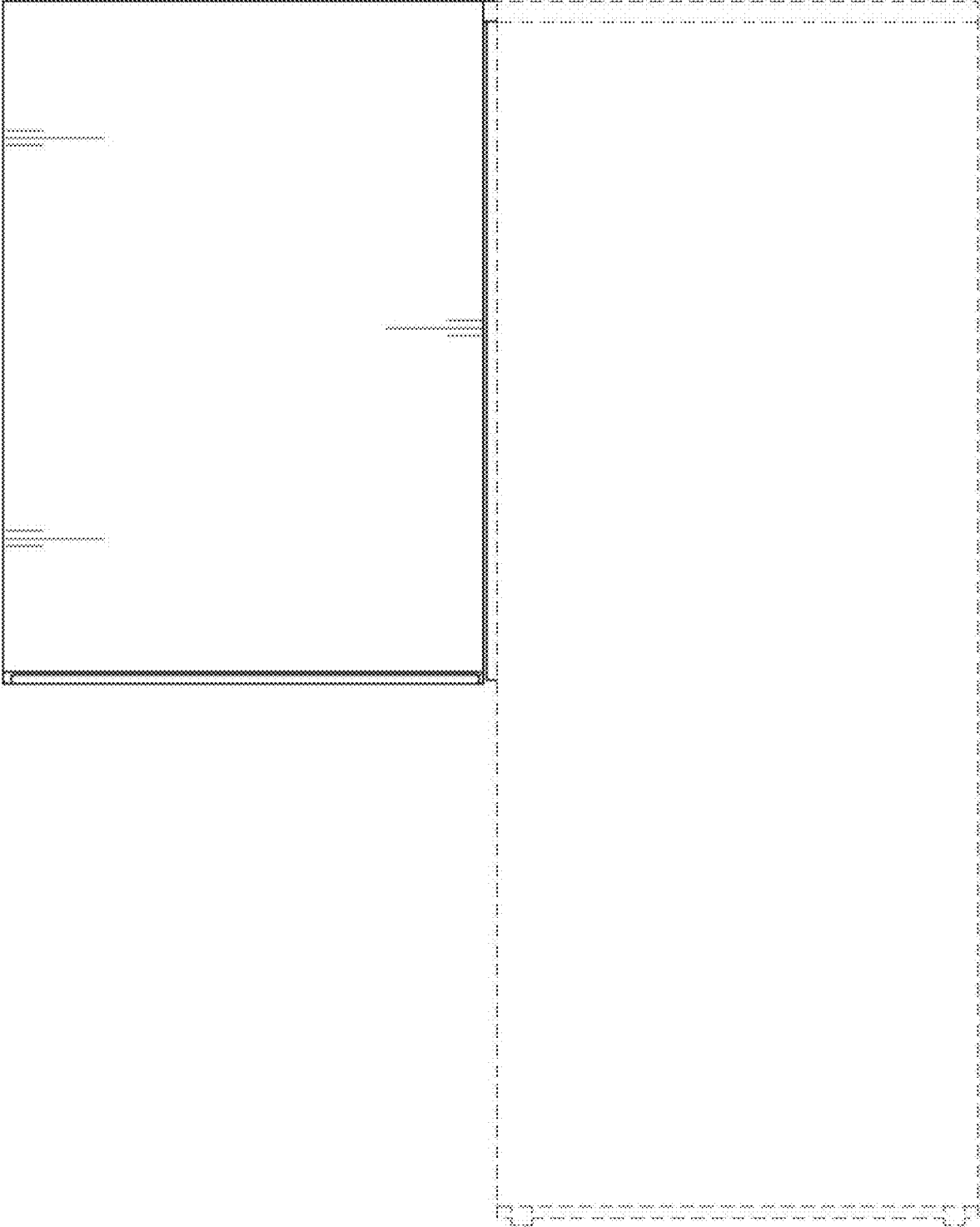
1.16



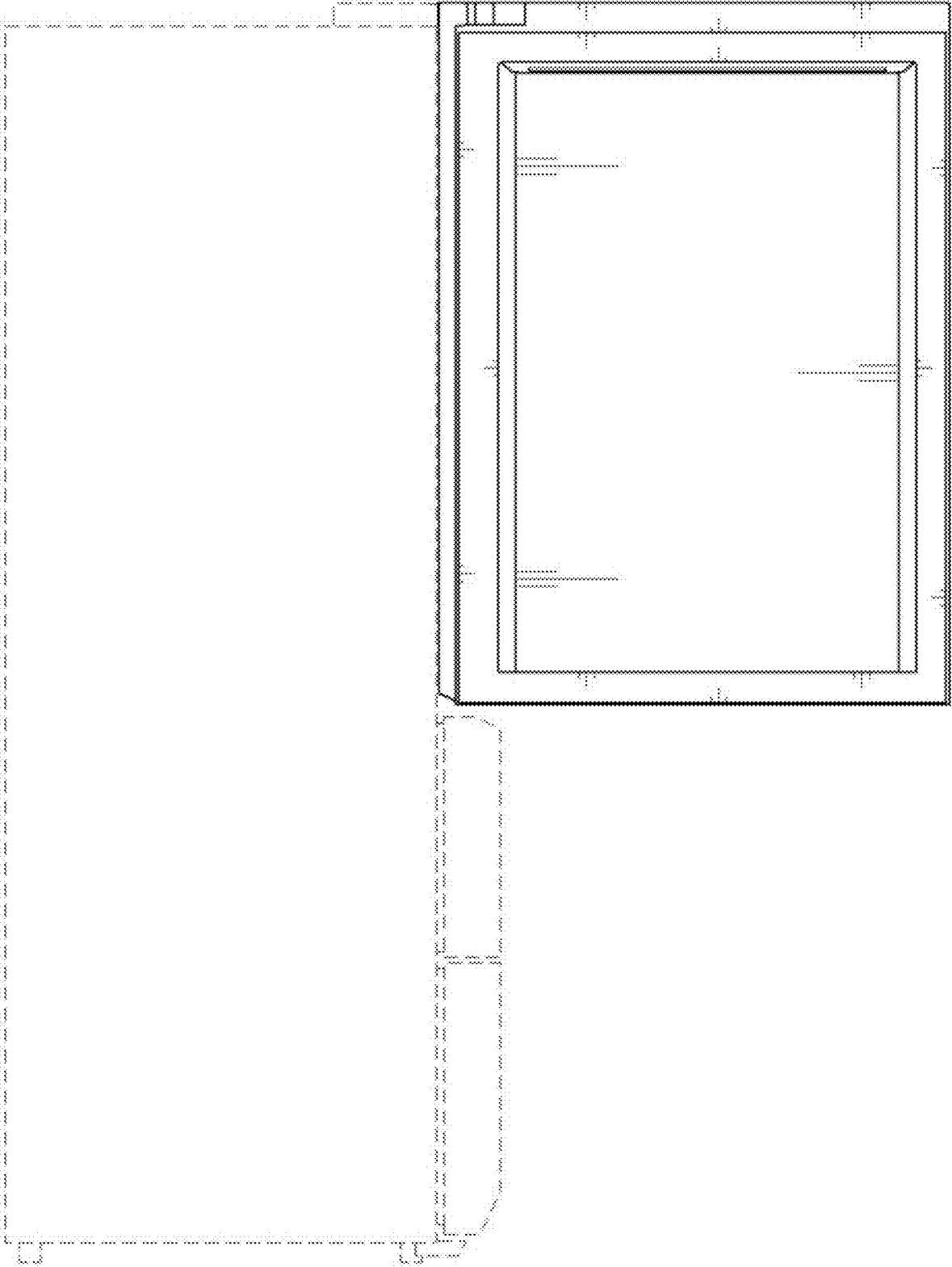
1.17



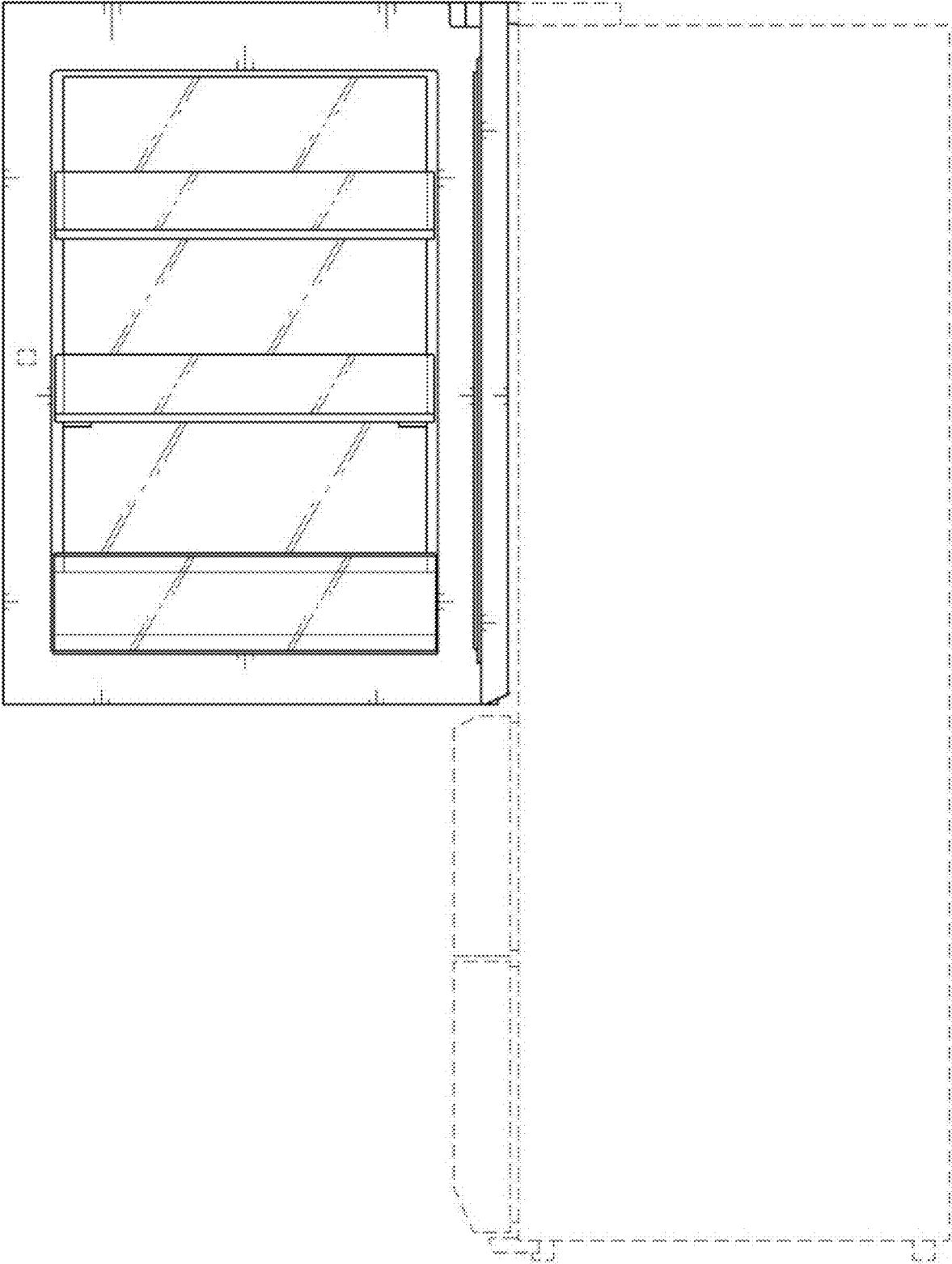
1.18



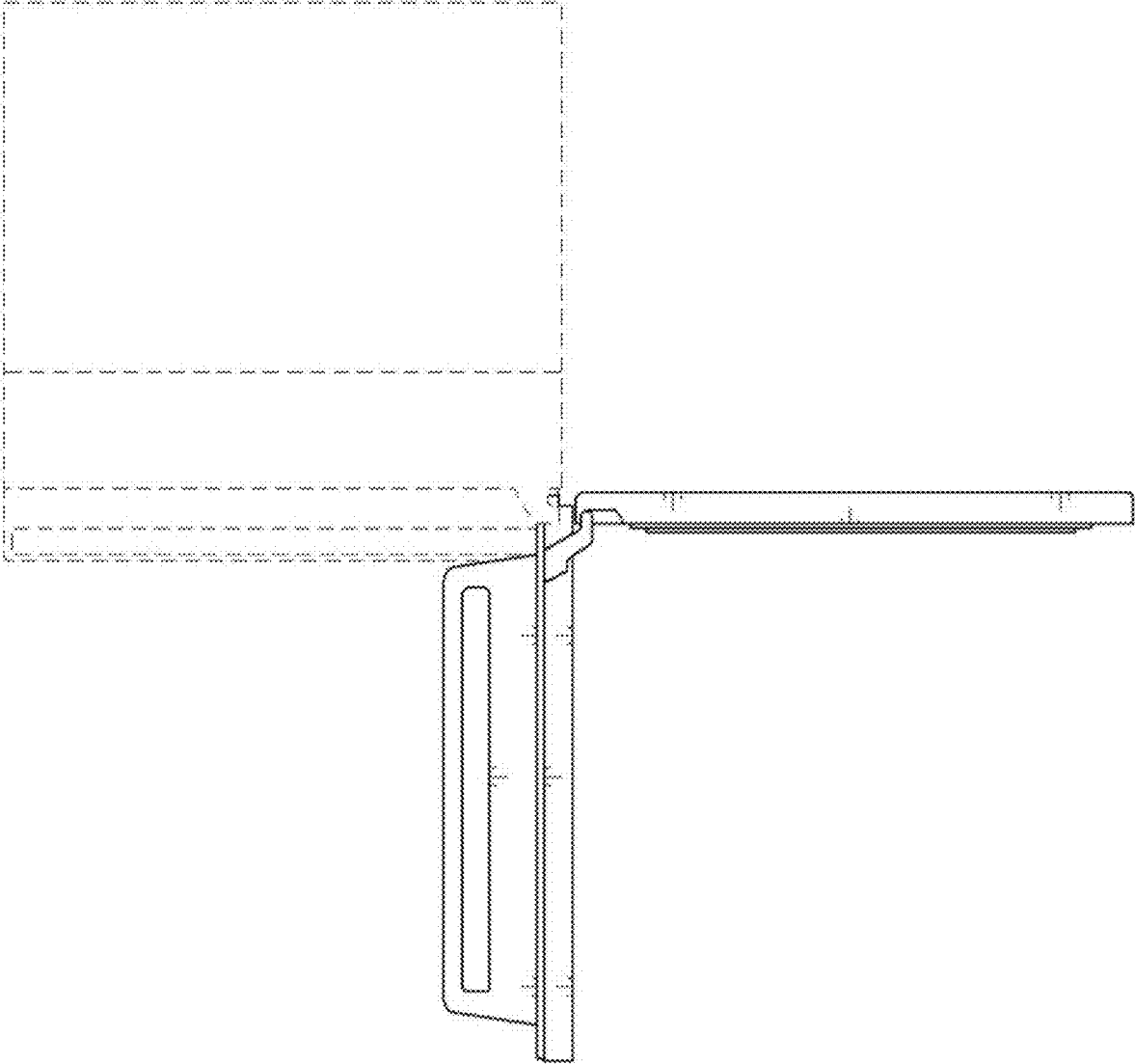
1.19



1.20



1.21



1.22

