

(19) World Intellectual Property Organization
International Bureau



(43) International Publication Date
26 August 2004 (26.08.2004)

PCT

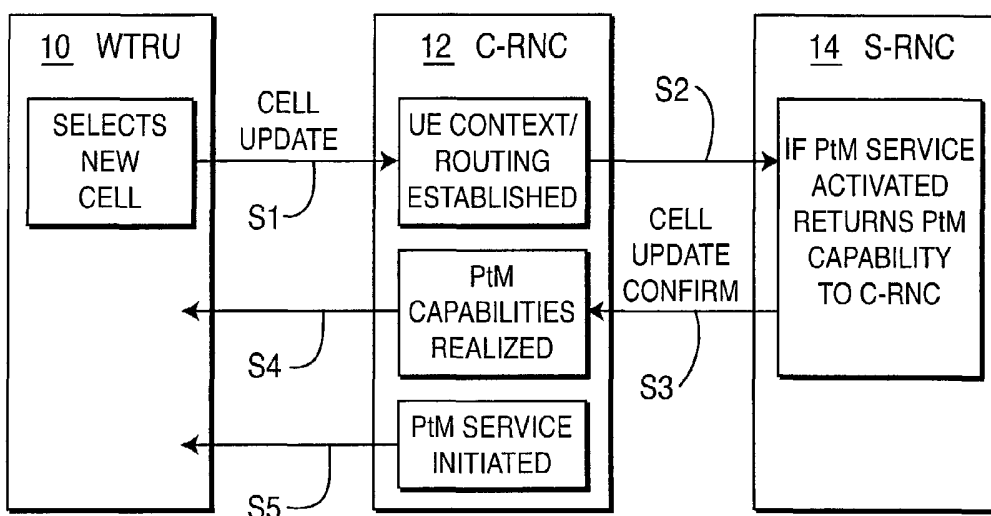
(10) International Publication Number
WO 2004/073327 A3

- (51) International Patent Classification⁷: **H04Q 7/00**
 - (21) International Application Number: PCT/US2004/004440
 - (22) International Filing Date: 11 February 2004 (11.02.2004)
 - (25) Filing Language: English
 - (26) Publication Language: English
 - (30) Priority Data:

60/446,716	11 February 2003 (11.02.2003)	US
10/729,675	5 December 2003 (05.12.2003)	US
 - (71) Applicant (for all designated States except US): **INTER-DIGITAL TECHNOLOGY CORPORATION** [US/US]; 300 Delaware Avenue, Suite 527, Wilmington, DE 19801 (US).
 - (72) Inventors; and
 - (75) Inventors/Applicants (for US only): **TERRY, Stephen, E.** [US/US]; 15 Summit Avenue, Northport, NY 11768 (US). **MILLER, James, M.** [US/US]; 18 Louisburg Square, Verona, NJ 07044 (US).
 - (74) Agent: **WEINSTEIN, Louis**; Volpe and Koenig, P.C., United Plaza, Suite 1600, 30 South 17th Street, Philadelphia, PA 19103 (US).
 - (81) Designated States (unless otherwise indicated, for every kind of national protection available): AE, AG, AL, AM, AT, AU, AZ, BA, BB, BG, BR, BW, BY, BZ, CA, CH, CN, CO, CR, CU, CZ, DE, DK, DM, DZ, EC, EE, EG, ES, FI, GB, GD, GE, GH, GM, HR, HU, ID, IL, IN, IS, JP, KE, KG, KP, KR, KZ, LC, LK, LR, LS, LT, LU, LV, MA, MD, MG, MK, MN, MW, MX, MZ, NA, NI, NO, NZ, OM, PG, PH, PL, PT, RO, RU, SC, SD, SE, SG, SK, SL, SY, TJ, TM, TN, TR, TT, TZ, UA, UG, US, UZ, VC, VN, YU, ZA, ZM, ZW.
 - (84) Designated States (unless otherwise indicated, for every kind of regional protection available): ARIPO (BW, GH, GM, KE, LS, MW, MZ, SD, SL, SZ, TZ, UG, ZM, ZW), Eurasian (AM, AZ, BY, KG, KZ, MD, RU, TJ, TM), European (AT, BE, BG, CH, CY, CZ, DE, DK, EE, ES, FI, FR, GB, GR, HU, IE, IT, LU, MC, NL, PT, RO, SE, SI, SK, TR), OAPI (BF, BJ, CF, CG, CI, CM, GA, GN, GQ, GW, ML, MR, NE, SN, TD, TG).
- Published:**
— with international search report

[Continued on next page]

(54) Title: METHOD FOR DISTRIBUTION OF WIRELESS TRANSMIT/RECEIVE UNIT (WTRU) CAPABILITY BETWEEN POINT TO POINT AND POINT TO MULTIPOINT SERVICES



(57) Abstract: Method and apparatus for arranging wireless transmit/receive unit (WTRU) capability distribution between point to point (PtP) and point to multipoint (PtM) services. The method addresses PtP/PtM specific and common capabilities shared between PtM and PtP. The method utilizes procedures and different scenarios to coordinate establishment/release of PtP and PtM services and distribution of WTRU PtP/PtM capabilities within a universal mobile telecommunication system terrestrial radio access network (UTRAN).

WO 2004/073327 A3



— *before the expiration of the time limit for amending the claims and to be republished in the event of receipt of amendments*

For two-letter codes and other abbreviations, refer to the "Guidance Notes on Codes and Abbreviations" appearing at the beginning of each regular issue of the PCT Gazette.

(88) Date of publication of the international search report:
13 January 2005

INTERNATIONAL SEARCH REPORT

International application No.

PCT/US04/04440

<p>A. CLASSIFICATION OF SUBJECT MATTER</p> <p>IPC(7) : H04Q 7/00</p> <p>US CL : 370/328;455/414.1</p> <p>According to International Patent Classification (IPC) or to both national classification and IPC</p>														
<p>B. FIELDS SEARCHED</p> <p>Minimum documentation searched (classification system followed by classification symbols)</p> <p>U.S. : 370/328;455/414.1</p> <p>Documentation searched other than minimum documentation to the extent that such documents are included in the fields searched</p> <p>Electronic data base consulted during the international search (name of data base and, where practicable, search terms used)</p> <p>EAST</p>														
<p>C. DOCUMENTS CONSIDERED TO BE RELEVANT</p> <table border="1"> <thead> <tr> <th>Category *</th> <th>Citation of document, with indication, where appropriate, of the relevant passages</th> <th>Relevant to claim No.</th> </tr> </thead> <tbody> <tr> <td>X,E</td> <td>US 2004/0137885 A1 (SARKKINEN et al) 01 July 2004, see Fig. 1, page 4, paragraph 44.</td> <td>1,2,9-10,13-19,22-23,30,35-36,39-48 and 51</td> </tr> <tr> <td>A</td> <td>US 2002/0090940 A1 (CHEN et al) 11 July 2002.</td> <td>1-51</td> </tr> <tr> <td>A,E</td> <td>US 2004/0081192 A1 (KOULSKIOTIS et al) 29 April 2004.</td> <td>1-51</td> </tr> </tbody> </table>			Category *	Citation of document, with indication, where appropriate, of the relevant passages	Relevant to claim No.	X,E	US 2004/0137885 A1 (SARKKINEN et al) 01 July 2004, see Fig. 1, page 4, paragraph 44.	1,2,9-10,13-19,22-23,30,35-36,39-48 and 51	A	US 2002/0090940 A1 (CHEN et al) 11 July 2002.	1-51	A,E	US 2004/0081192 A1 (KOULSKIOTIS et al) 29 April 2004.	1-51
Category *	Citation of document, with indication, where appropriate, of the relevant passages	Relevant to claim No.												
X,E	US 2004/0137885 A1 (SARKKINEN et al) 01 July 2004, see Fig. 1, page 4, paragraph 44.	1,2,9-10,13-19,22-23,30,35-36,39-48 and 51												
A	US 2002/0090940 A1 (CHEN et al) 11 July 2002.	1-51												
A,E	US 2004/0081192 A1 (KOULSKIOTIS et al) 29 April 2004.	1-51												
<p><input type="checkbox"/> Further documents are listed in the continuation of Box C. <input type="checkbox"/> See patent family annex.</p>														
<p>* Special categories of cited documents:</p> <table border="0"> <tr> <td>"A" document defining the general state of the art which is not considered to be of particular relevance</td> <td>"T" later document published after the international filing date or priority date and not in conflict with the application but cited to understand the principle or theory underlying the invention</td> </tr> <tr> <td>"E" earlier application or patent published on or after the international filing date</td> <td>"X" document of particular relevance; the claimed invention cannot be considered novel or cannot be considered to involve an inventive step when the document is taken alone</td> </tr> <tr> <td>"L" document which may throw doubts on priority claim(s) or which is cited to establish the publication date of another citation or other special reason (as specified)</td> <td>"Y" document of particular relevance; the claimed invention cannot be considered to involve an inventive step when the document is combined with one or more other such documents, such combination being obvious to a person skilled in the art</td> </tr> <tr> <td>"O" document referring to an oral disclosure, use, exhibition or other means</td> <td>"&" document member of the same patent family</td> </tr> <tr> <td>"P" document published prior to the international filing date but later than the priority date claimed</td> <td></td> </tr> </table>			"A" document defining the general state of the art which is not considered to be of particular relevance	"T" later document published after the international filing date or priority date and not in conflict with the application but cited to understand the principle or theory underlying the invention	"E" earlier application or patent published on or after the international filing date	"X" document of particular relevance; the claimed invention cannot be considered novel or cannot be considered to involve an inventive step when the document is taken alone	"L" document which may throw doubts on priority claim(s) or which is cited to establish the publication date of another citation or other special reason (as specified)	"Y" document of particular relevance; the claimed invention cannot be considered to involve an inventive step when the document is combined with one or more other such documents, such combination being obvious to a person skilled in the art	"O" document referring to an oral disclosure, use, exhibition or other means	"&" document member of the same patent family	"P" document published prior to the international filing date but later than the priority date claimed			
"A" document defining the general state of the art which is not considered to be of particular relevance	"T" later document published after the international filing date or priority date and not in conflict with the application but cited to understand the principle or theory underlying the invention													
"E" earlier application or patent published on or after the international filing date	"X" document of particular relevance; the claimed invention cannot be considered novel or cannot be considered to involve an inventive step when the document is taken alone													
"L" document which may throw doubts on priority claim(s) or which is cited to establish the publication date of another citation or other special reason (as specified)	"Y" document of particular relevance; the claimed invention cannot be considered to involve an inventive step when the document is combined with one or more other such documents, such combination being obvious to a person skilled in the art													
"O" document referring to an oral disclosure, use, exhibition or other means	"&" document member of the same patent family													
"P" document published prior to the international filing date but later than the priority date claimed														
<p>Date of the actual completion of the international search</p> <p>05 October 2004 (05.10.2004)</p>		<p>Date of mailing of the international search report</p> <p>03 NOV 2004</p>												
<p>Name and mailing address of the ISA/US</p> <p>Mail Stop PCT, Attn: ISA/US Commissioner for Patents P.O. Box 1450 Alexandria, Virginia 22313-1450</p> <p>Facsimile No. (703)305-3230</p>		<p>Authorized officer.</p> <p><i>KBN WIEDER</i></p> <p>KBN WIEDER</p> <p>Telephone No. 703-305-4800</p>												