



US00D575316S

(12) **United States Design Patent**  
**Liu et al.**

(10) **Patent No.:** **US D575,316 S**

(45) **Date of Patent:** **\*\* Aug. 19, 2008**

(54) **WIRELESS INTERNET VIDEO CAMERA**

2006/0109375 A1\* 5/2006 Ho et al. .... 348/376

(75) Inventors: **Calvin Y. Liu**, Irvine, CA (US);  
**Hung-Bing Chen**, Tustin, CA (US)

\* cited by examiner

(73) Assignee: **Cisco Technology, Inc.**, San Jose, CA (US)

*Primary Examiner*—Ian Simmons

*Assistant Examiner*—Wan Laymon

(74) *Attorney, Agent, or Firm*—Tom Chen; MacPherson Kwok Chen & Heid, LLP.

(\*\*) Term: **14 Years**

(57) **CLAIM**

(21) Appl. No.: **29/263,761**

The ornamental design for a wireless Internet video camera, as shown and described.

(22) Filed: **Jul. 28, 2006**

(51) **LOC (8) Cl.** ..... **16-01**

(52) **U.S. Cl.** ..... **D16/202; D16/203**

(58) **Field of Classification Search** ..... D16/200–206,  
D16/208, 214; 348/373–376, 14.02, 143,  
348/211.2; 396/427, 428, 176, 535–541;  
358/906, 909.1

See application file for complete search history.

**DESCRIPTION**

FIG. 1 is a perspective view of the wireless Internet video camera;

FIG. 2 is a front view of the wireless Internet video camera of FIG. 1;

FIG. 3 is a back view of the wireless Internet video camera of FIG. 1;

FIG. 4 is top view of the wireless Internet video camera of FIG. 1;

FIG. 5 is a side view of the wireless Internet video camera of FIG. 1; and,

FIG. 6 is another side view of the wireless Internet video camera of FIG. 1.

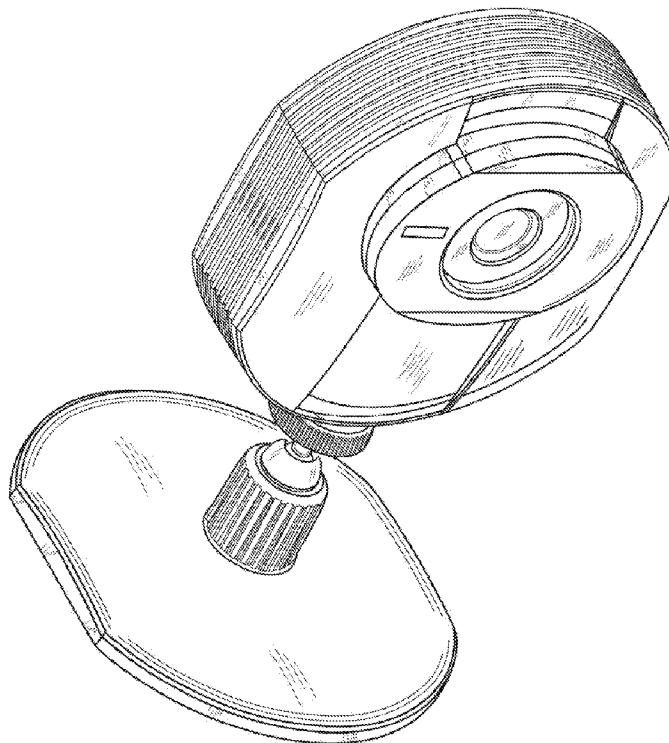
The broken lines in FIG. 3 are for illustrative purposes only and form no part of the claimed design.

(56) **References Cited**

U.S. PATENT DOCUMENTS

D387,789	S	*	12/1997	Sumida et al.	.....	D16/202
D399,860	S	*	10/1998	Huang	.....	D16/202
D434,057	S	*	11/2000	Whitby et al.	.....	D16/202
D446,533	S	*	8/2001	Gatto	.....	D16/202
D451,939	S	*	12/2001	Roh	.....	D16/202
D533,575	S	*	12/2006	Reawsanguanwong et al.	..	D16/202
7,202,903	B2	*	4/2007	Lin et al.	.....	348/373
2004/0130657	A1	*	7/2004	Hsu	.....	348/375

**1 Claim, 6 Drawing Sheets**



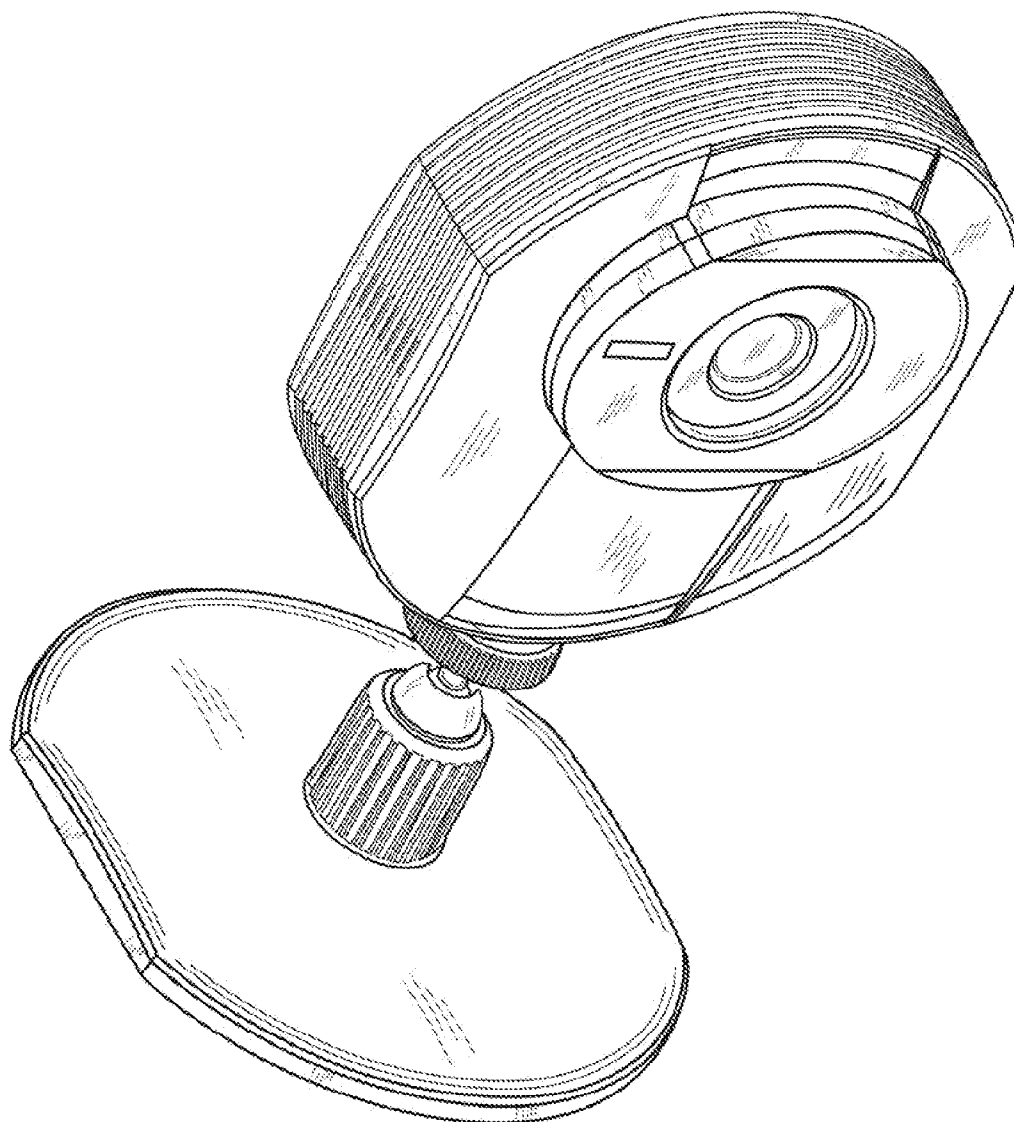


FIG. 1

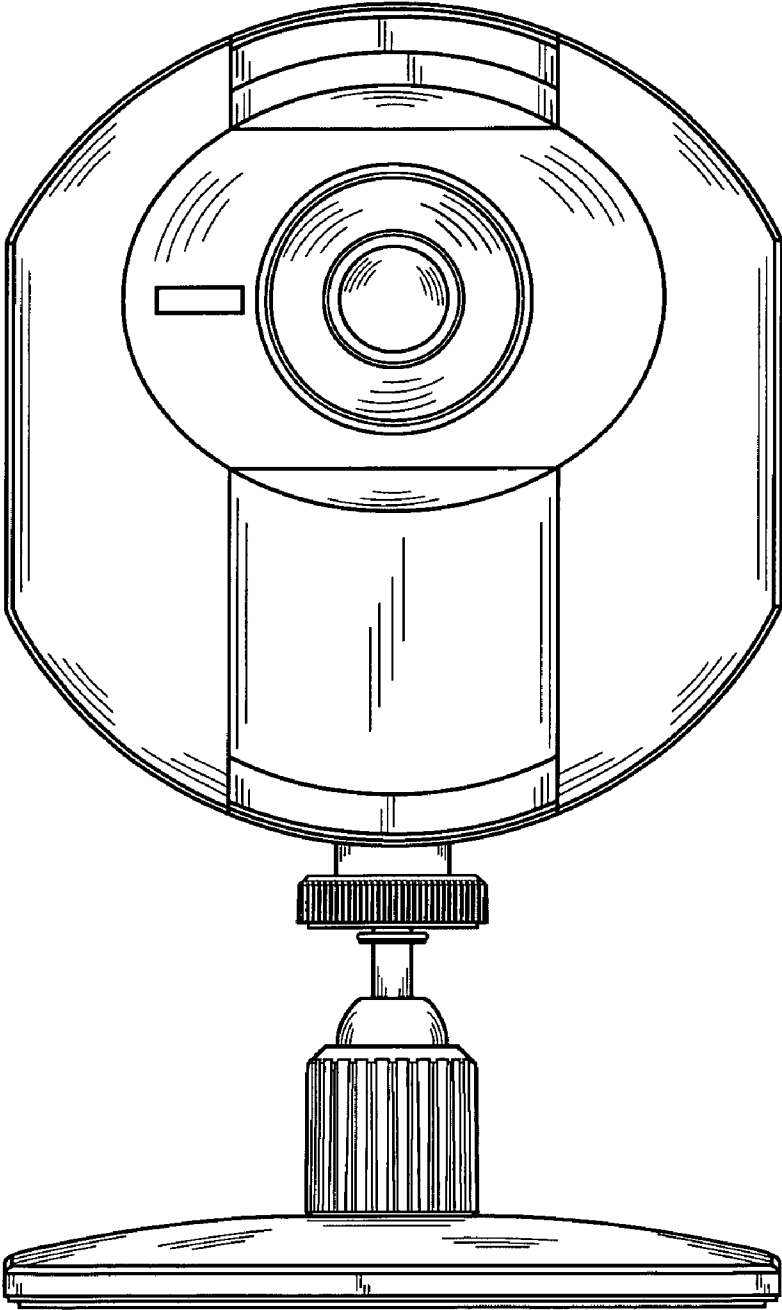


FIG. 2

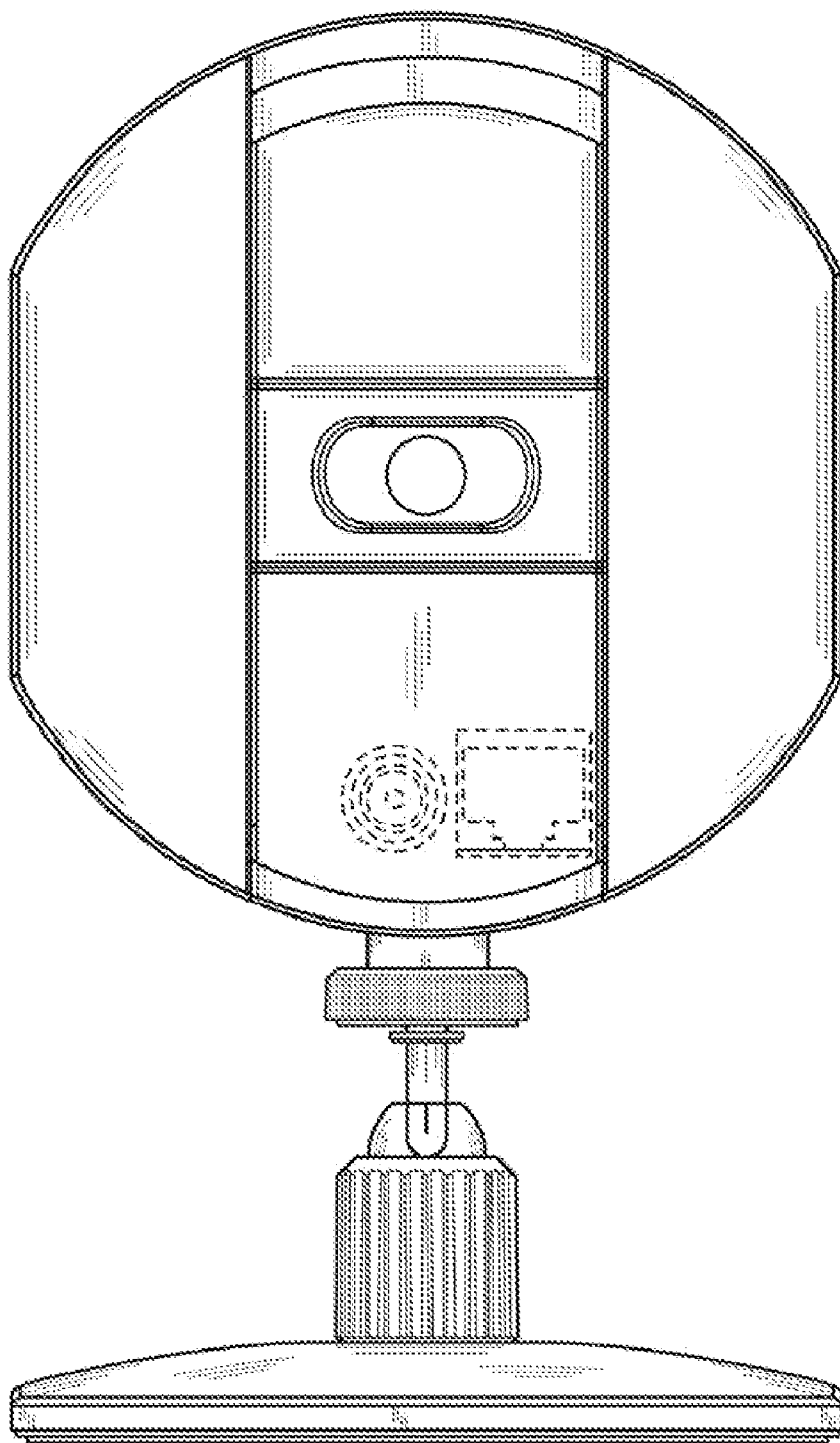


FIG. 3

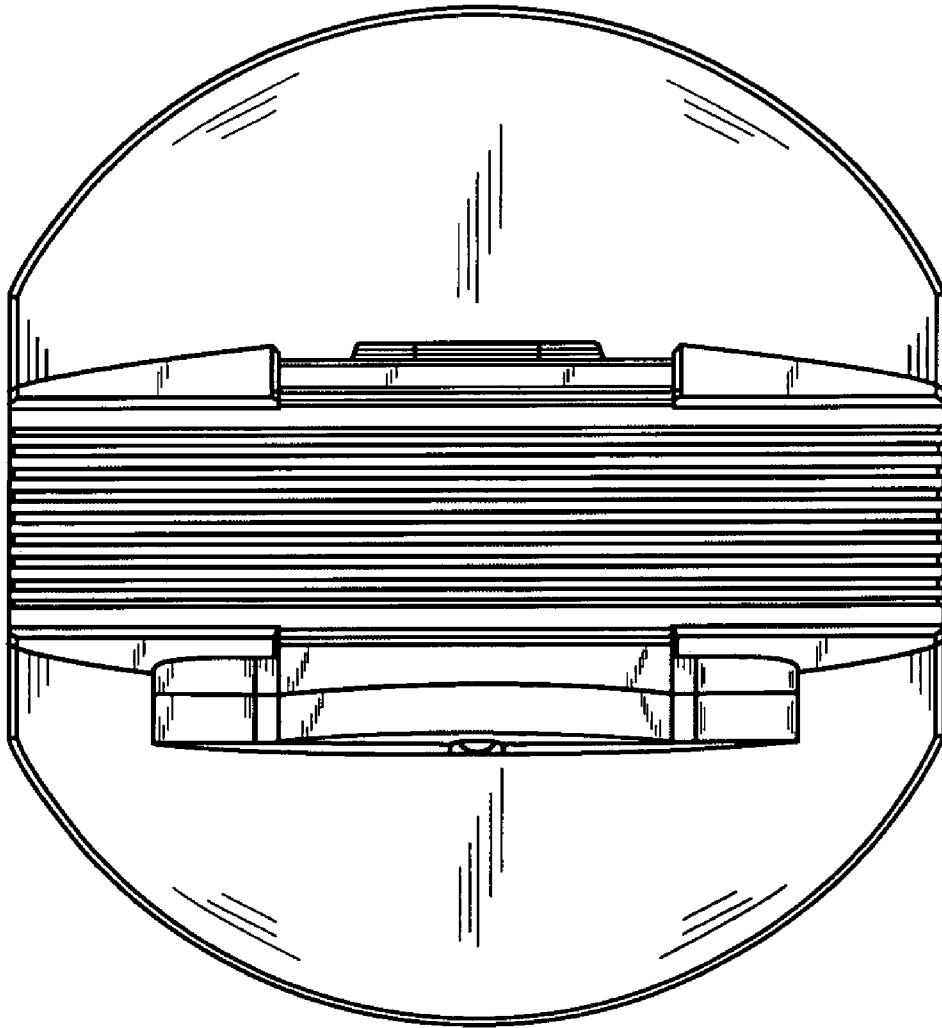


FIG. 4

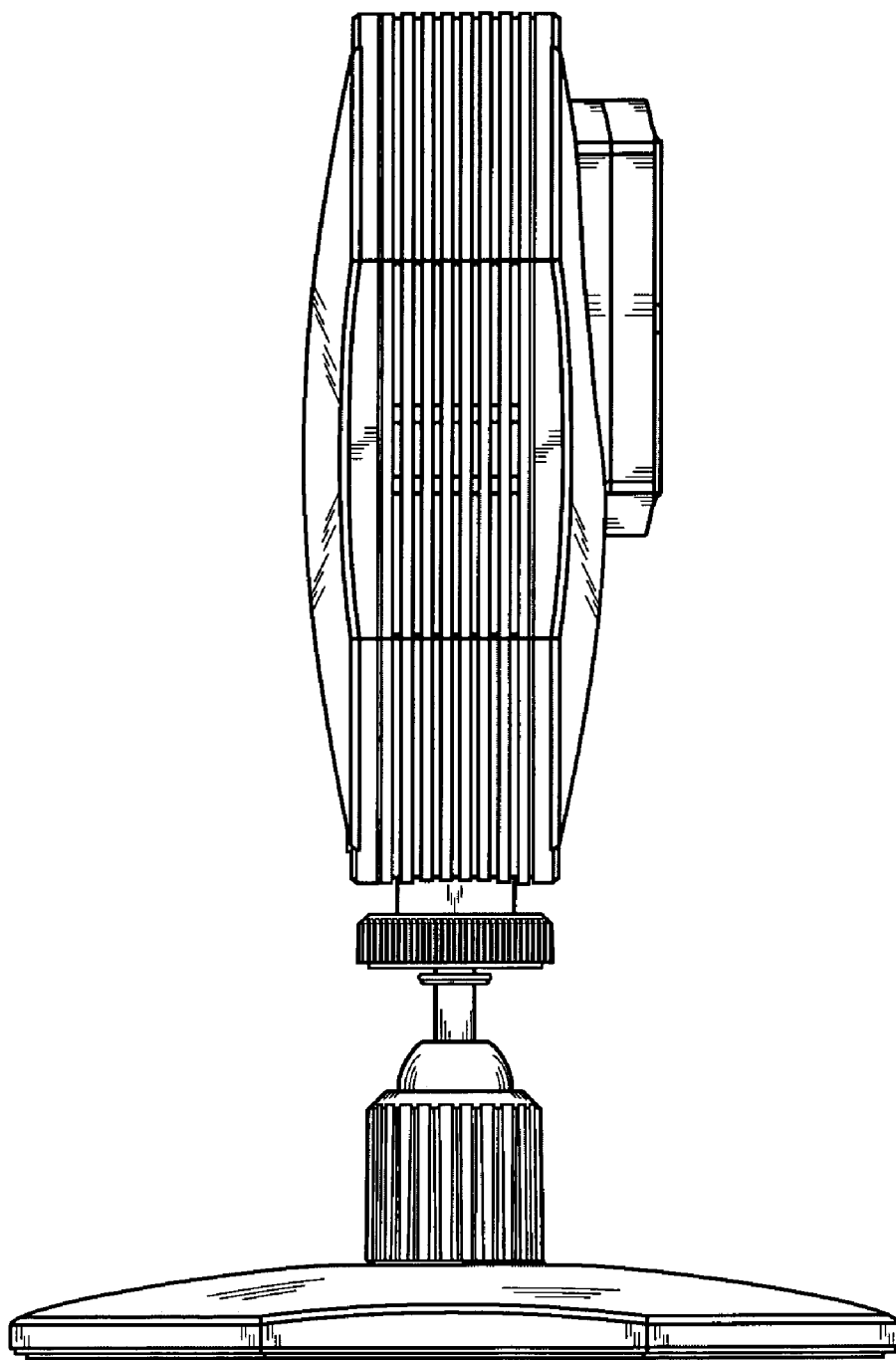


FIG. 5

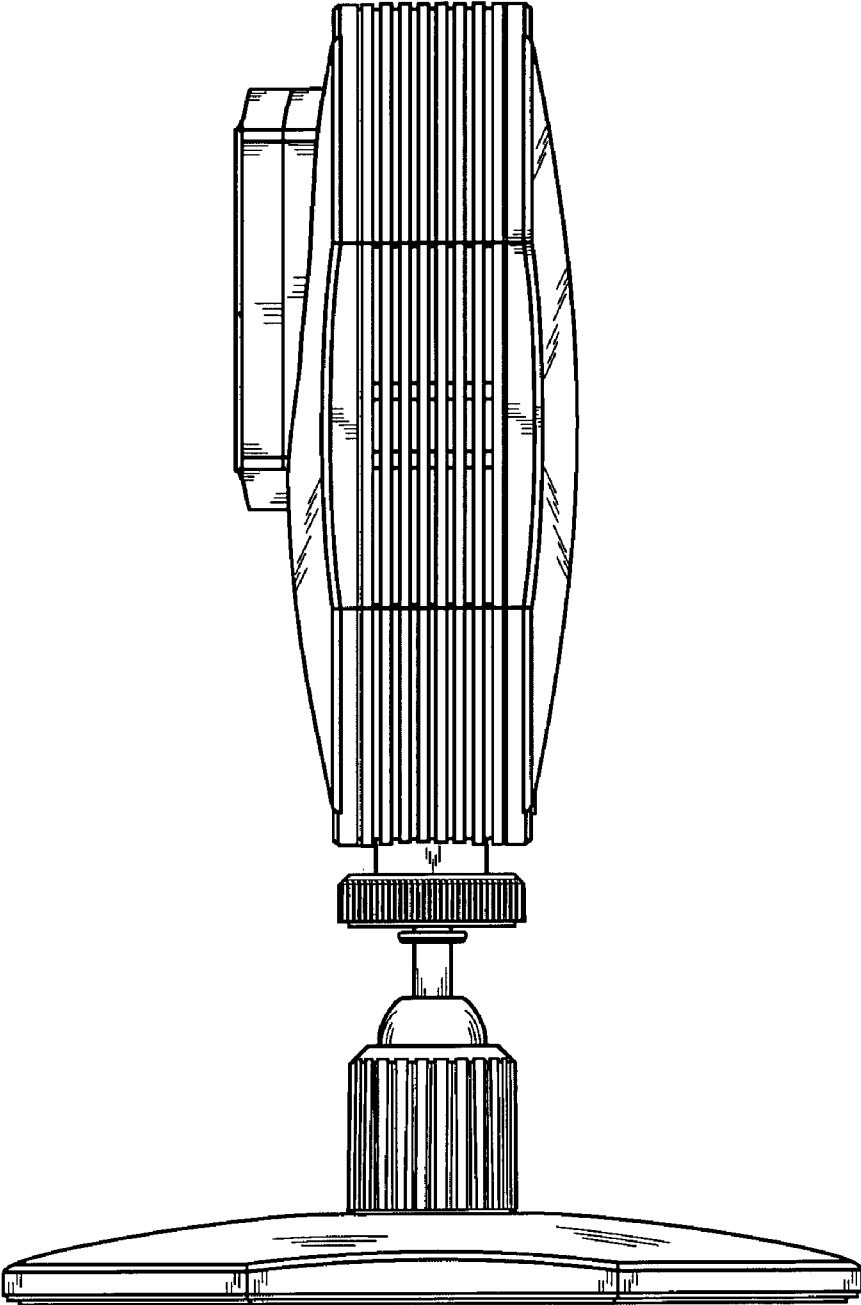


FIG. 6