



US00D617067S

(12) **United States Design Patent**  
**Renner**

(10) **Patent No.:** **US D617,067 S**

(45) **Date of Patent:** **\*\* Jun. 1, 2010**

(54) **BUCKET**

(75) Inventor: **Reinhard Renner**, Esslingen (DE)

(73) Assignee: **Leifheit AG**, Nassau/Lahn (DE)

(\*\*) Term: **14 Years**

(21) Appl. No.: **29/341,190**

(22) Filed: **Jul. 31, 2009**

(30) **Foreign Application Priority Data**

Feb. 2, 2009 (EM) ..... 1080683

(51) **LOC (9) Cl.** ..... **07-07**

(52) **U.S. Cl.** ..... **D32/53**

(58) **Field of Classification Search** ..... D32/53,  
D32/53.1, 54; 220/904; 15/260, 263, 264,  
15/257.06

See application file for complete search history.

(56) **References Cited**

**U.S. PATENT DOCUMENTS**

D222,892 S \* 1/1972 Gunfaus ..... D32/53

D396,914 S \* 8/1998 Pepper et al. .... D32/53

D417,935 S \* 12/1999 Primeau ..... D32/53  
6,065,175 A \* 5/2000 Tejerina ..... 15/116.1  
D499,223 S \* 11/2004 Libman et al. .... D32/53  
D516,763 S \* 3/2006 Escarpa Gil ..... D32/53  
D518,262 S \* 3/2006 Jurgens ..... D32/53  
7,318,247 B2 \* 1/2008 Libman et al. .... 15/260

\* cited by examiner

*Primary Examiner*—Robin V Webster

(74) *Attorney, Agent, or Firm*—Leydig, Voit & Mayer

(57) **CLAIM**

The ornamental design for bucket, as shown and described.

**DESCRIPTION**

FIG. 1 is a front, top, and right side perspective view of the bucket showing my new design;

FIG. 2 is a top view thereof;

FIG. 3 is a left side view thereof, the right side view being a mirror image of the left view;

FIG. 4 is a front view thereof;

FIG. 5 is a bottom view thereof; and,

FIG. 6 is a back view thereof.

**1 Claim, 6 Drawing Sheets**

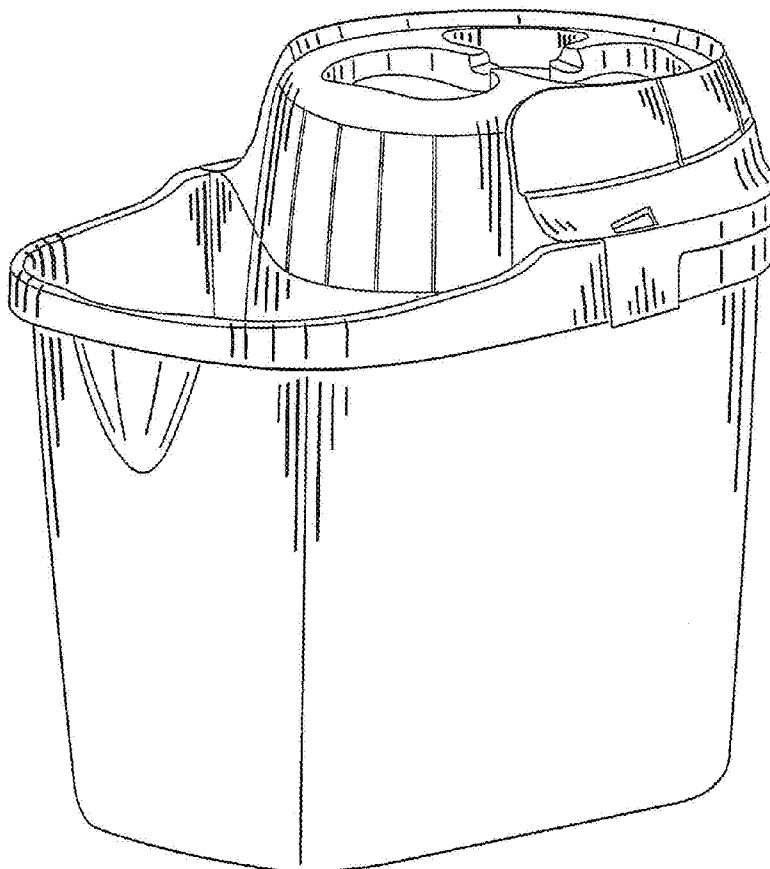


Fig.1

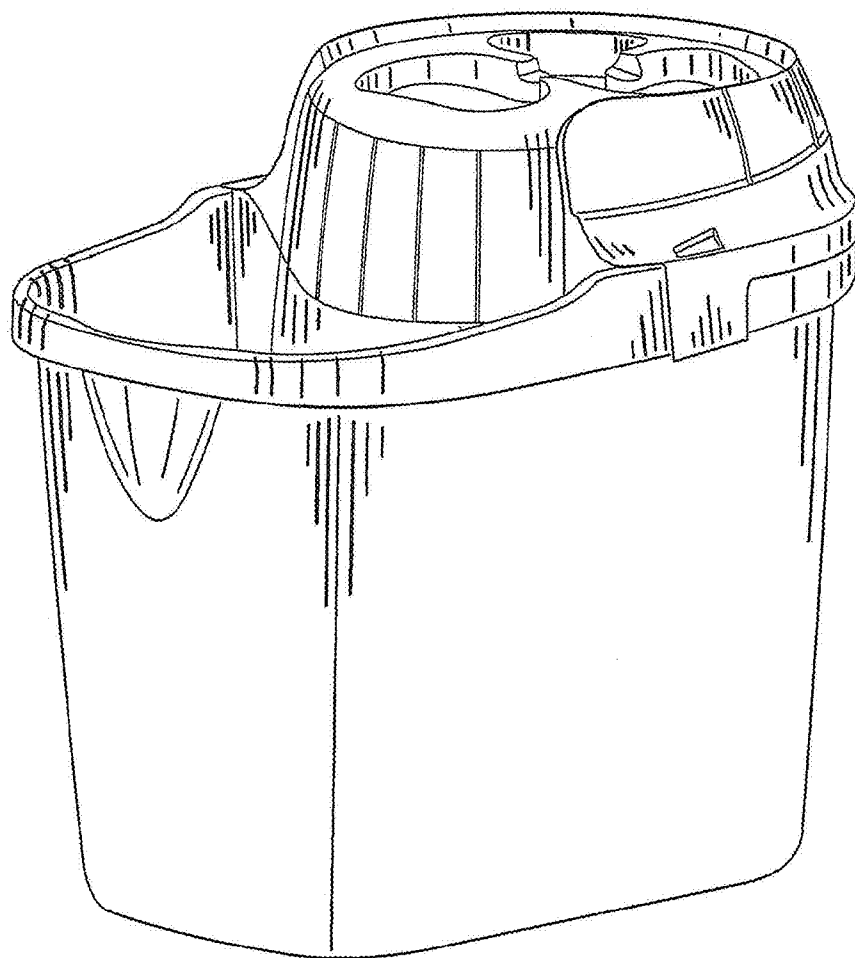


Fig. 2

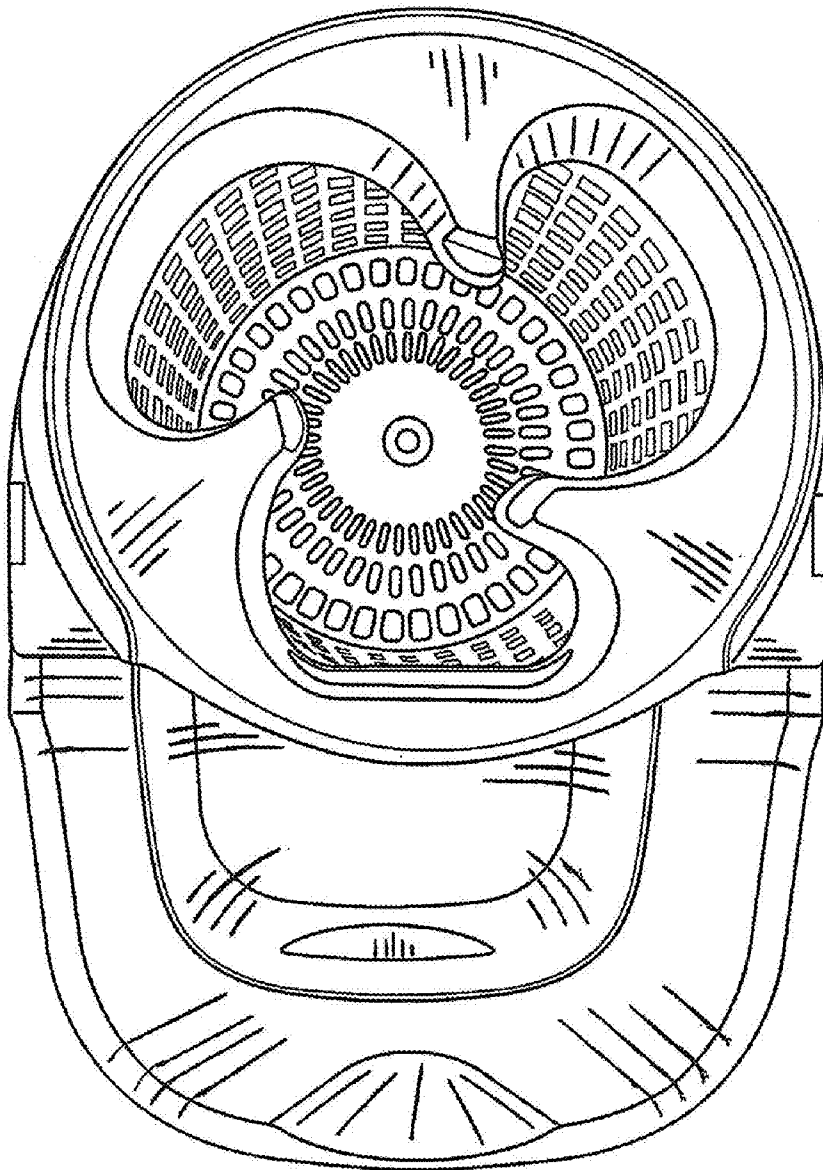


Fig. 3

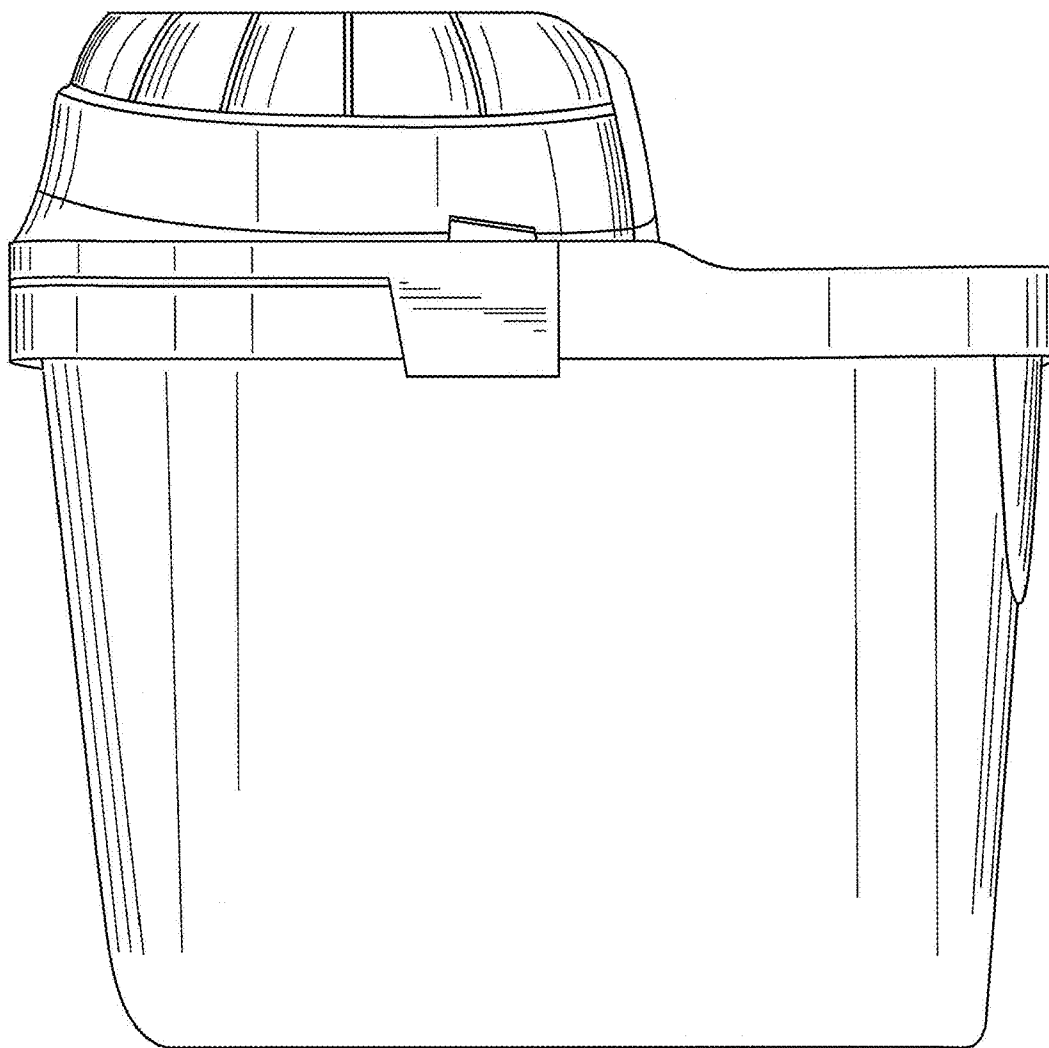


Fig.4

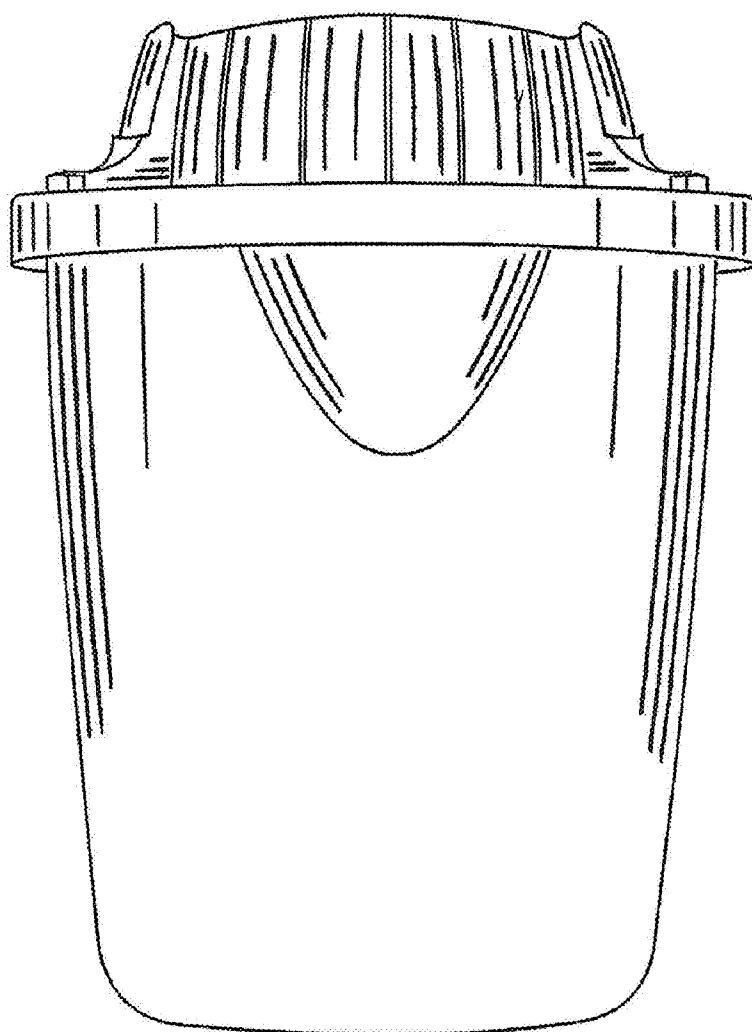


Fig.5

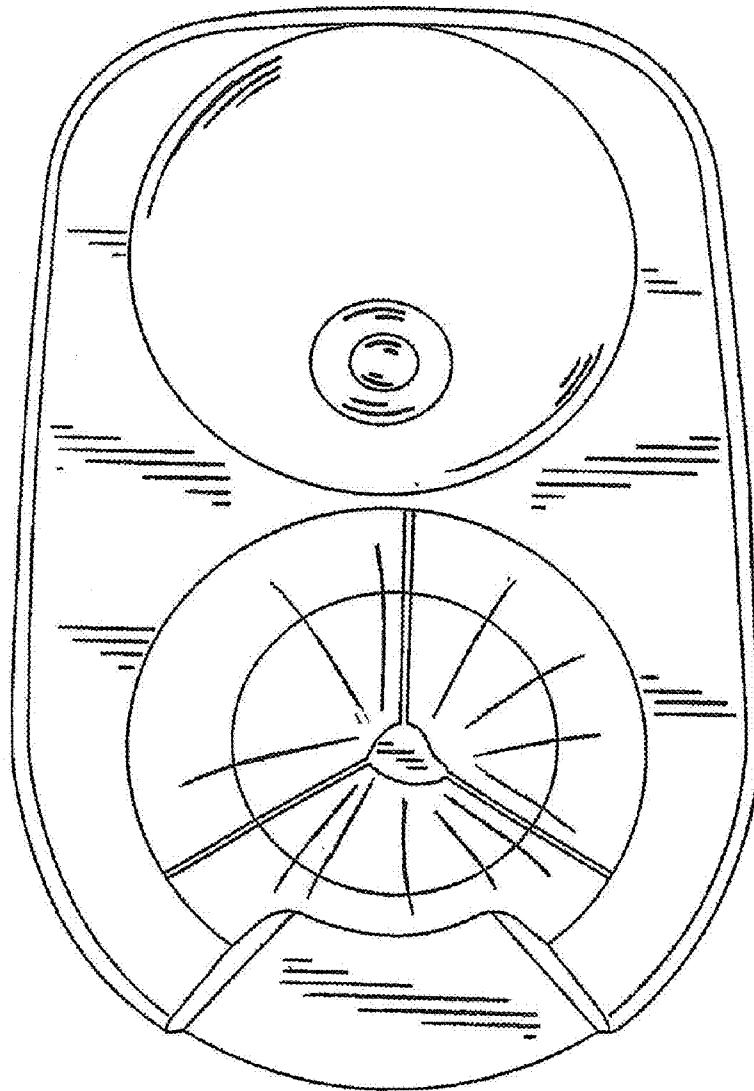


Fig. 6

