



(12) **United States Design Patent**
Dammkoehler et al.

(10) **Patent No.:** **US D803,916 S**
(45) **Date of Patent:** **** Nov. 28, 2017**

- (54) **DRILLING DUST COLLECTOR**
- (71) Applicant: **Alfred Kaercher GmbH & Co. KG**,
Winnenden (DE)
- (72) Inventors: **Denis Dammkoehler**, Backnang (DE);
Zheyi Jin, Backnang (DE)
- (73) Assignee: **Alfred Kaercher GmbH & Co. KG**,
Winnenden (DE)
- (**) Term: **15 Years**
- (21) Appl. No.: **29/589,101**
- (22) Filed: **Dec. 28, 2016**
- (30) **Foreign Application Priority Data**

5,125,190 A	6/1992	Buser et al.	
D334,330 S	3/1993	Moshammer	
D347,778 S	6/1994	Clowers et al.	
D352,439 S	11/1994	Bedford	
D376,526 S	12/1996	Hepburn	
5,605,421 A	2/1997	Hodgson	
5,983,445 A	11/1999	Baker	
RE36,627 E	3/2000	Pink et al.	
6,053,674 A	4/2000	Thompson	
6,071,184 A	6/2000	Anderson, III	
6,447,387 B1	9/2002	Tseng	
6,540,598 B1	4/2003	McCutchen	
6,648,742 B1	11/2003	Segiel, Jr.	
D488,365 S	4/2004	Liu	
D499,625 S	12/2004	Stirm	
D504,602 S *	5/2005	Aglassinger	D8/62
6,887,146 B2	5/2005	Staas et al.	
6,896,605 B2	5/2005	Ohlendorf	
6,910,960 B2	6/2005	Reich et al.	
D543,563 S	5/2007	Skradski et al.	
D546,156 S	7/2007	Aglassinger et al.	

- Jul. 14, 2016 (WO) 968175601
- (51) **LOC (10) CL.** **15-09**
- (52) **U.S. CL.**
USPC **D15/138**
- (58) **Field of Classification Search**
USPC D15/124-126, 133, 138-140; D32/1, 15,
D32/21, 25, 16-18; D8/61-71, 90, 363;
408/67
CPC C09K 11/06; C09K 2211/1007; C09K
2211/1011; C09K 2211/1092; C09K
2211/1029; C09K 2211/1059; C09K
2211/185; B23Q 11/0046; B23Q 11/0067;
B23Q 9/0078; B28D 7/02; B28D 1/045;
B28D 7/046
See application file for complete search history.

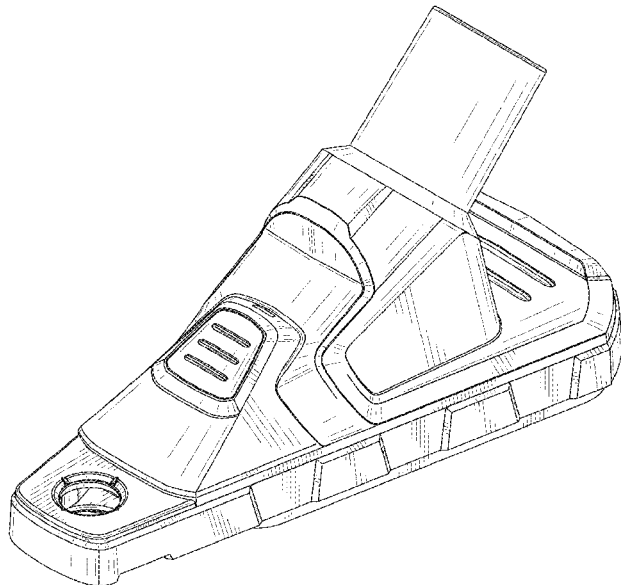
(Continued)
Primary Examiner — Ian Simmons
Assistant Examiner — Khawaja Anwar
(74) *Attorney, Agent, or Firm* — Lipsitz & McAllister,
LLC

(57) **CLAIM**
The ornamental design for a drilling dust collector, as shown
and described.

DESCRIPTION
FIG. 1 is a front, top and left side perspective view of a
drilling dust collector showing the new design;
FIG. 2 is a front, top and right side perspective view thereof;
FIG. 3 is a front elevational view thereof;
FIG. 4 is a left side elevational view thereof;
FIG. 5 is a rear elevational view thereof;
FIG. 6 is a right side elevational view thereof; and,
FIG. 7 is a top plan view thereof.

- (56) **References Cited**
U.S. PATENT DOCUMENTS
4,184,226 A 1/1980 Loevenich
4,738,571 A 4/1988 Olson et al.

1 Claim, 7 Drawing Sheets



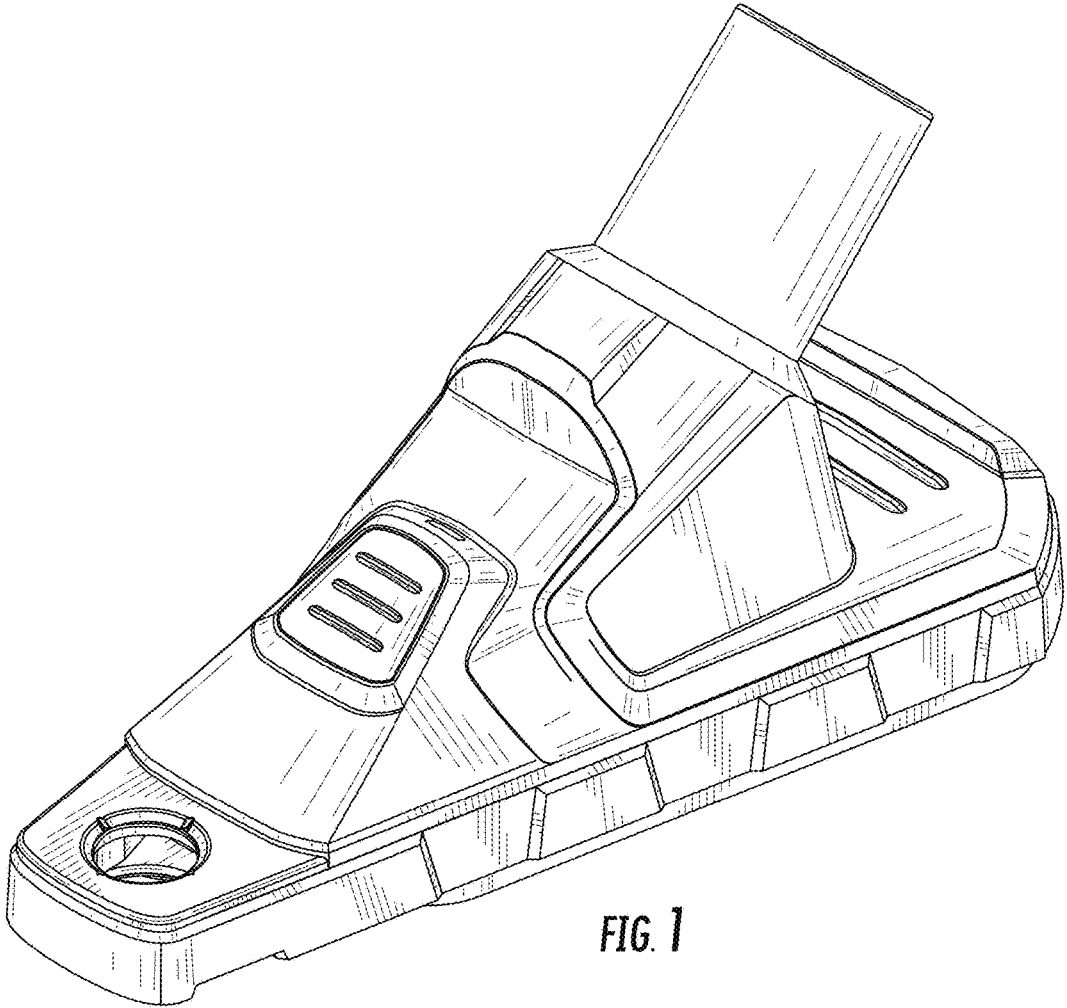
(56)

References Cited

U.S. PATENT DOCUMENTS

7,396,193 B2 * 7/2008 Kesten B23Q 11/0046
408/67
D589,318 S 3/2009 Meyer
D717,844 S * 11/2014 Cappuccio D15/133
D724,922 S * 3/2015 Alamilla D8/70
D742,710 S * 11/2015 Wiedemann D8/70
D743,230 S * 11/2015 Wiedemann D8/70
D747,050 S * 1/2016 Martin D32/15
2002/0141836 A1 * 10/2002 Ege B23Q 11/0046
408/67
2004/0002296 A1 * 1/2004 Reich B23Q 11/0046
451/357
2004/0055665 A1 3/2004 Wang
2005/0037699 A1 * 2/2005 Park B24B 55/10
451/344

* cited by examiner



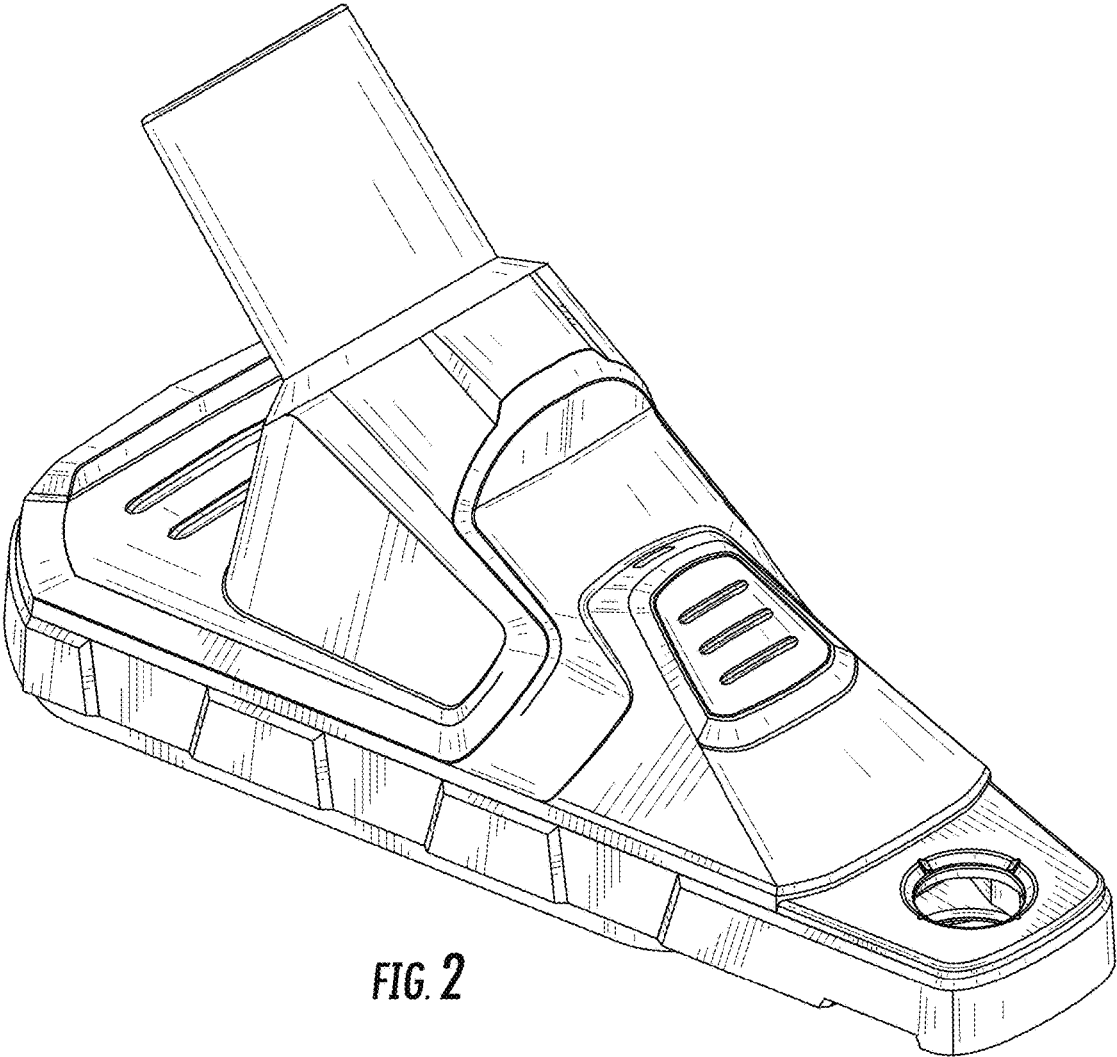


FIG. 2

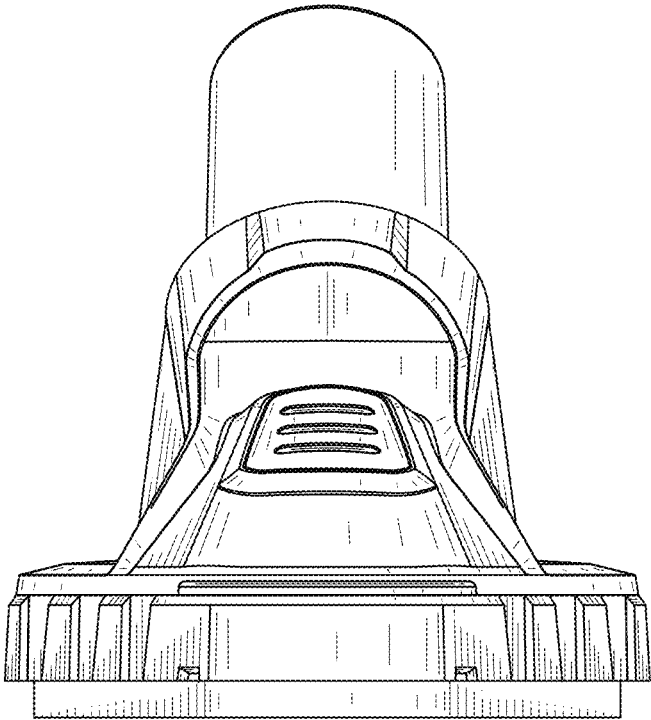


FIG. 3

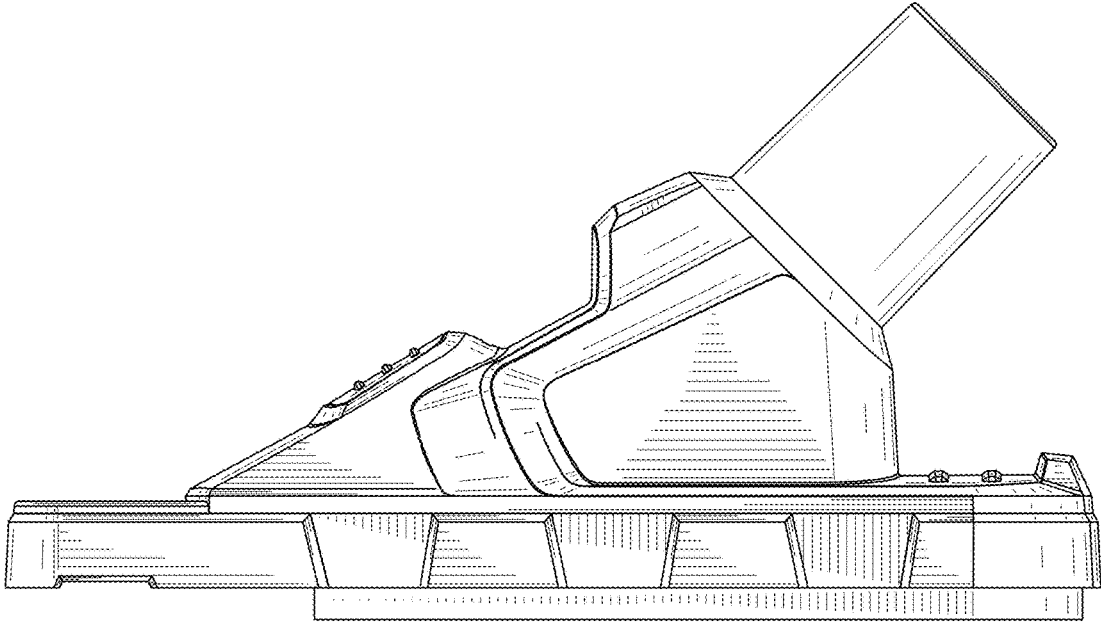


FIG. 4

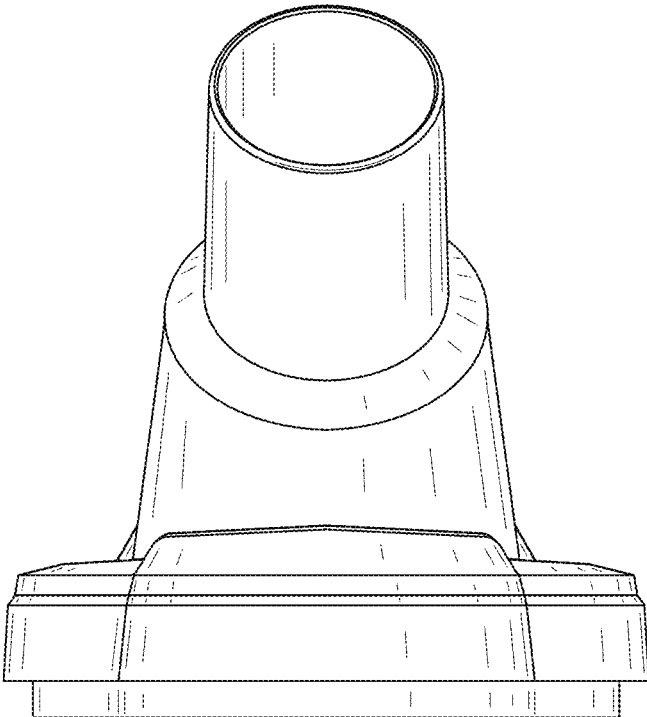


FIG. 5

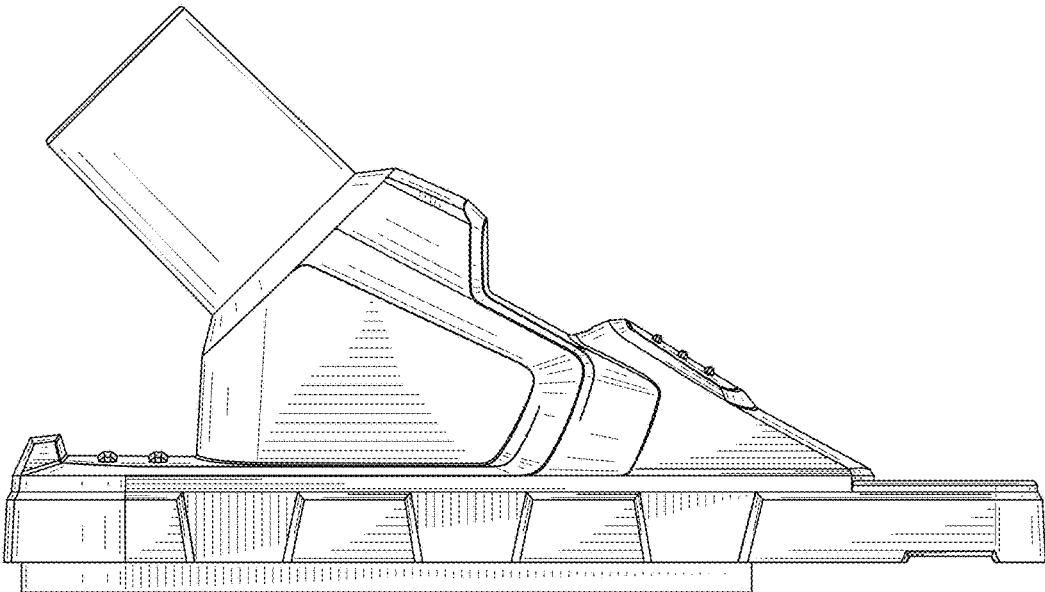


FIG 6

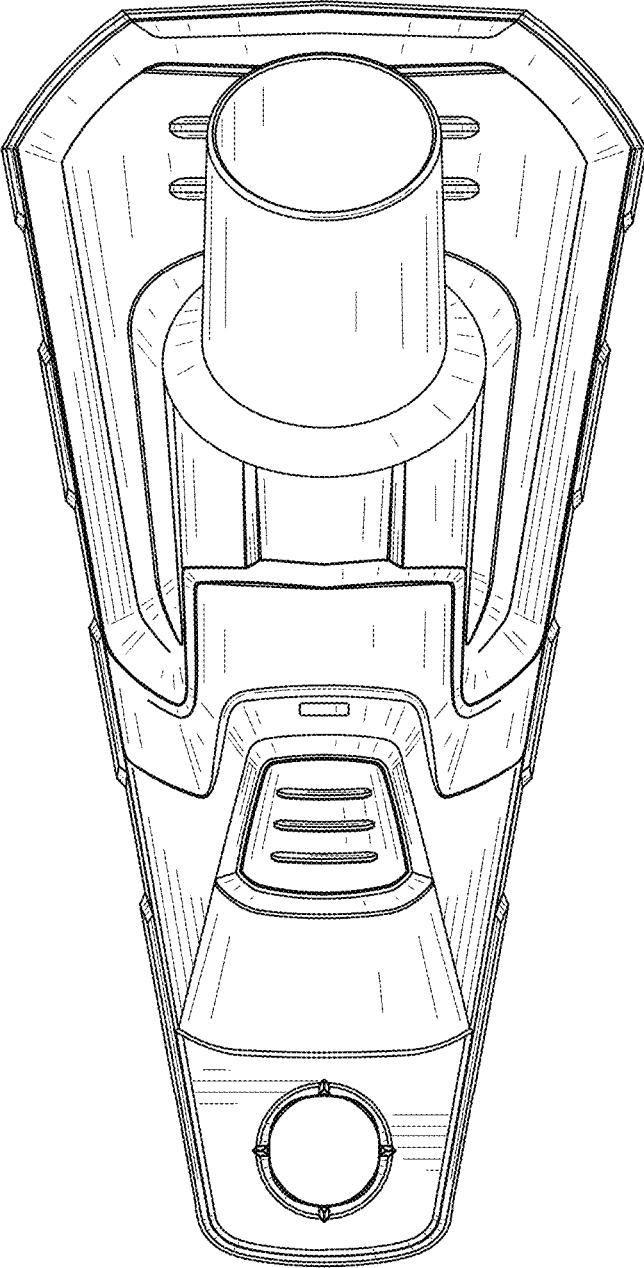


FIG. 7