



(12) **United States Design Patent** (10) **Patent No.:** **US D963,750 S**
Rothman et al. (45) **Date of Patent:** **** Sep. 13, 2022**

(54) **BUTTON COVER**
 (71) Applicant: **Caesars Enterprise Services, LLC**,
 Las Vegas, NV (US)
 (72) Inventors: **Hagai Rothman**, Las Vegas, NV (US);
Liam M. Perry, Las Vegas, NV (US)
 (73) Assignee: **Caesars Enterprise Services, LLC**,
 Las Vegas, NV (US)
 (**) Term: **15 Years**
 (21) Appl. No.: **29/828,837**
 (22) Filed: **Mar. 1, 2022**

D366,285 S *	1/1996	Tada	D21/332
D412,187 S *	7/1999	Kitamori	D14/435
D474,510 S *	5/2003	Fayram	D21/330
D478,127 S *	8/2003	Nishikawa	D14/435
D480,764 S *	10/2003	Inoue	D21/332
D530,341 S *	10/2006	Maruyama	D14/356
D530,343 S *	10/2006	Maruyama	D14/481
D531,228 S *	10/2006	Ashida	D21/332
D539,355 S *	3/2007	Fujita	D14/435
D543,206 S *	5/2007	Maruyama	D14/481
D546,896 S *	7/2007	Ibuki	D14/435
D550,775 S *	9/2007	Fujita	D14/435
D556,835 S *	12/2007	Ashida	D21/324
D602,095 S *	10/2009	Fujino	D21/332

(Continued)

Primary Examiner — Mehri F Bajoul
 (74) Attorney, Agent, or Firm — Greenberg Traurig, LLP

Related U.S. Application Data

(62) Division of application No. 29/682,296, filed on Mar. 4, 2019, now Pat. No. Des. 954,831.
 (51) **LOC (13) Cl.** **21-01**
 (52) **U.S. Cl.**
 USPC **D21/332; D21/333**
 (58) **Field of Classification Search**
 USPC D8/321, 322; D29/129; D26/113, 119;
 D24/113, 144, 184; D15/5, 17, 28,
 D15/144.1, 144.2; D13/113, 118, 154,
 D13/155, 160, 161, 168, 171, 173, 174,
 D13/177, 184; D12/171, 172, 174, 177,
 D12/223, 317, 345, 415; D10/103,
 D10/106.95; D23/322, 364; D21/332,
 D21/333, 334, 370, 349, 253, 358, 375,
 D21/381, 382, 432, 447, 484.1; D14/257,
 D14/299, 440, 496, 502, 505, 506
 CPC A44B 5/007; A44B 1/14; H01H 9/28
 See application file for complete search history.

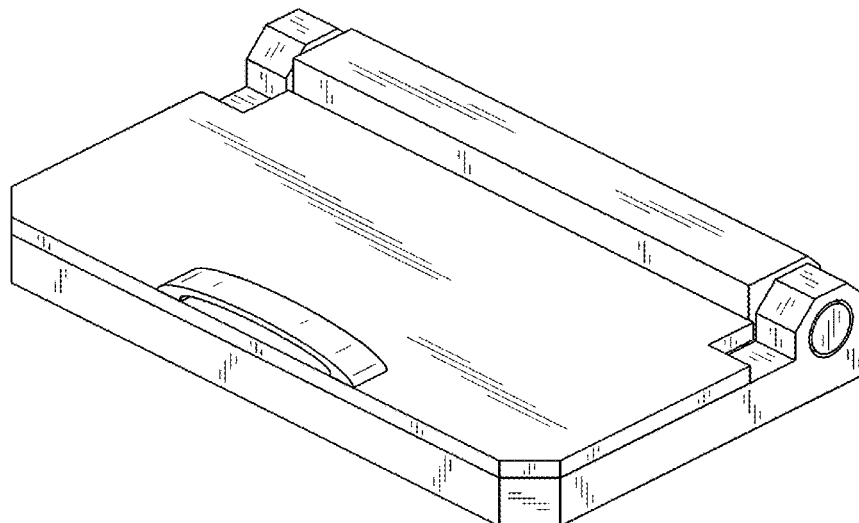
(57) **CLAIM**

We claim the ornamental design for a button cover, as shown and described.

DESCRIPTION

FIG. 1 is a top front right perspective view of a button cover in a closed condition, showing our new design;
 FIG. 2 is a front view of the button cover shown in FIG. 1;
 FIG. 3 is a rear view of the button cover shown in FIG. 1;
 FIG. 4 is a left side view of the button cover shown in FIG. 1;
 FIG. 5 is right side view of the button cover shown in FIG. 1;
 FIG. 6 is a top plan view of the button cover shown in FIG. 1;
 FIG. 7 is a bottom plan view of the button cover shown in FIG. 1; and,
 FIG. 8 is a perspective view of the button cover shown in FIG. 1, showing the button cover open.

1 Claim, 4 Drawing Sheets



(56) **References Cited**

U.S. PATENT DOCUMENTS

D252,926 S *	9/1979	Thompson	D21/332
D362,869 S *	10/1995	Oikawa	D21/332

(56)

References Cited

U.S. PATENT DOCUMENTS

D650,447	S	*	12/2011	Ehara	D21/333
D655,758	S	*	3/2012	Sunabe	D21/333
D666,679	S	*	9/2012	Ehara	D21/333
D669,939	S	*	10/2012	Fujino	D21/330
D697,139	S	*	1/2014	Sugino	D14/345
D760,184	S	*	6/2016	Lu	D21/333
D954,831	S	*	6/2022	Rothman	D21/333

* cited by examiner

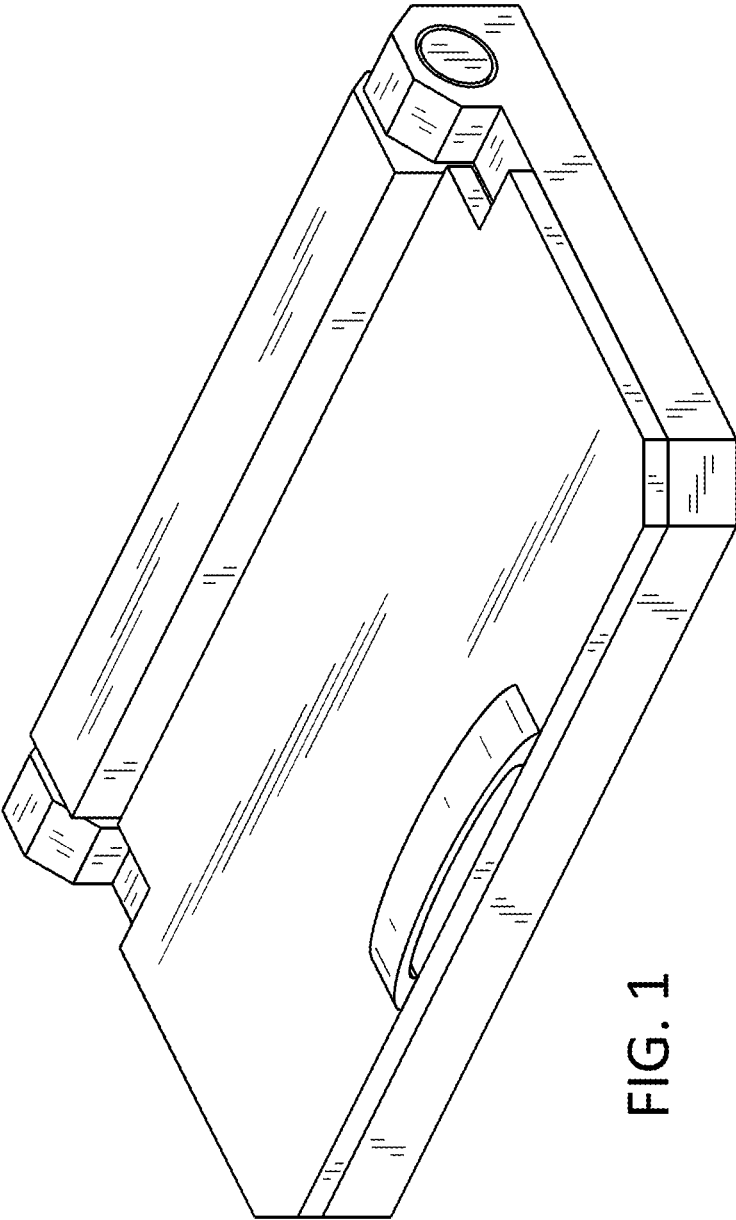


FIG. 1

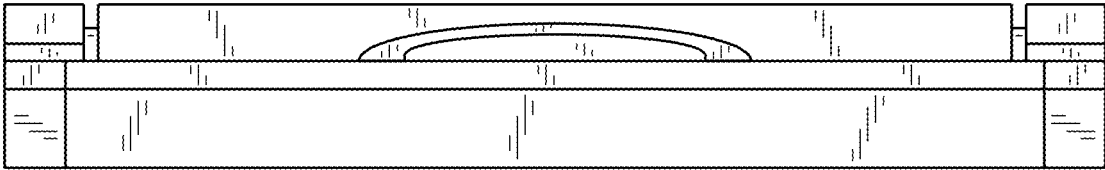


FIG. 2

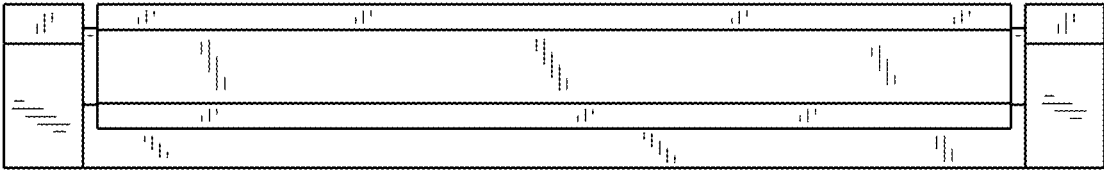


FIG. 3

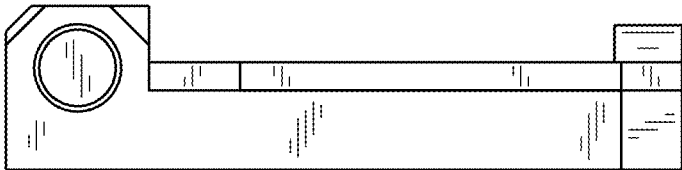


FIG. 4

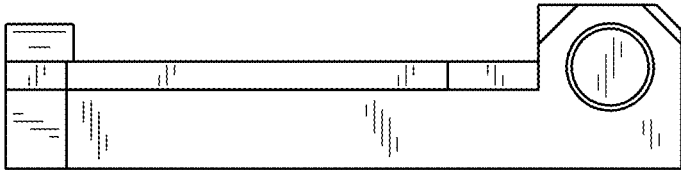


FIG. 5

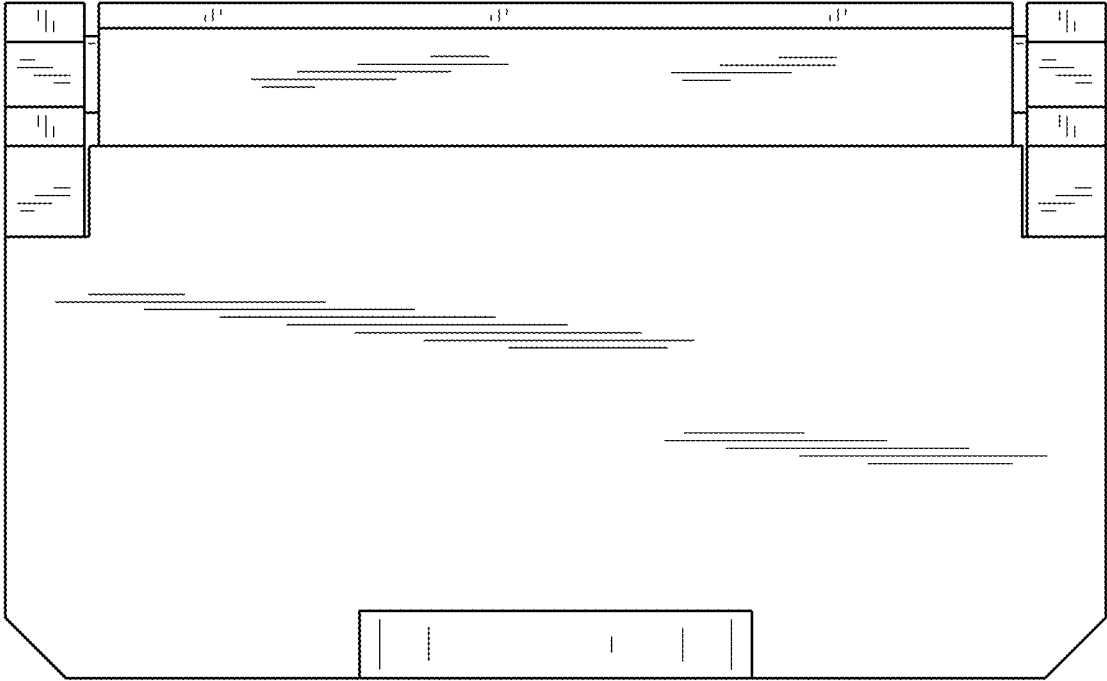


FIG. 6

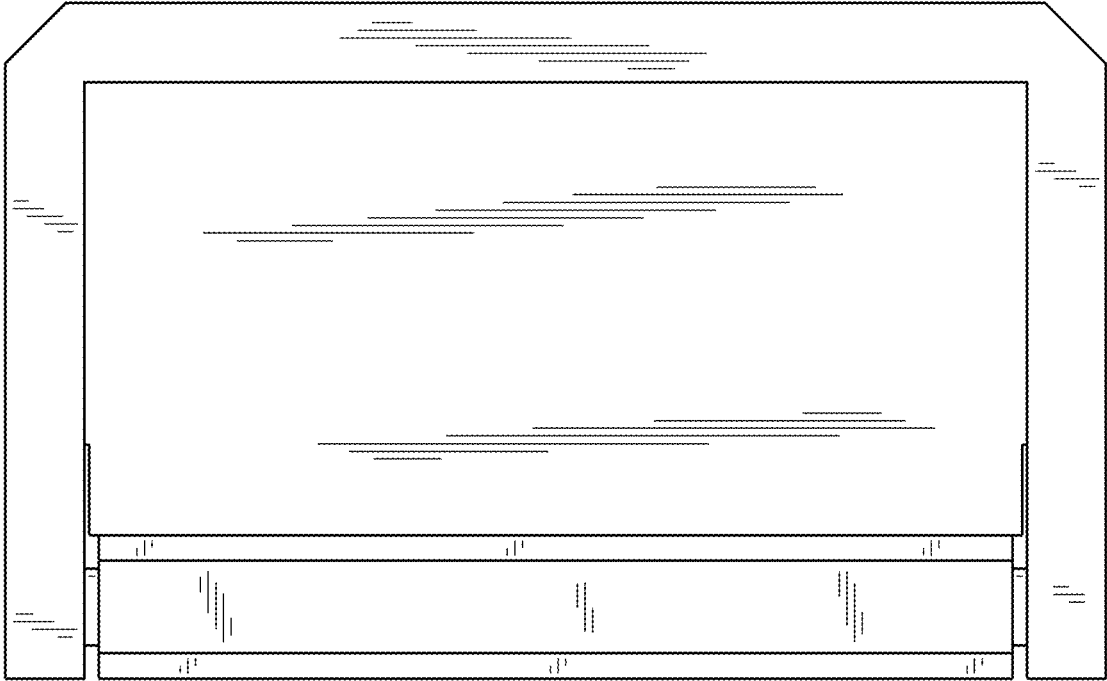


FIG. 7

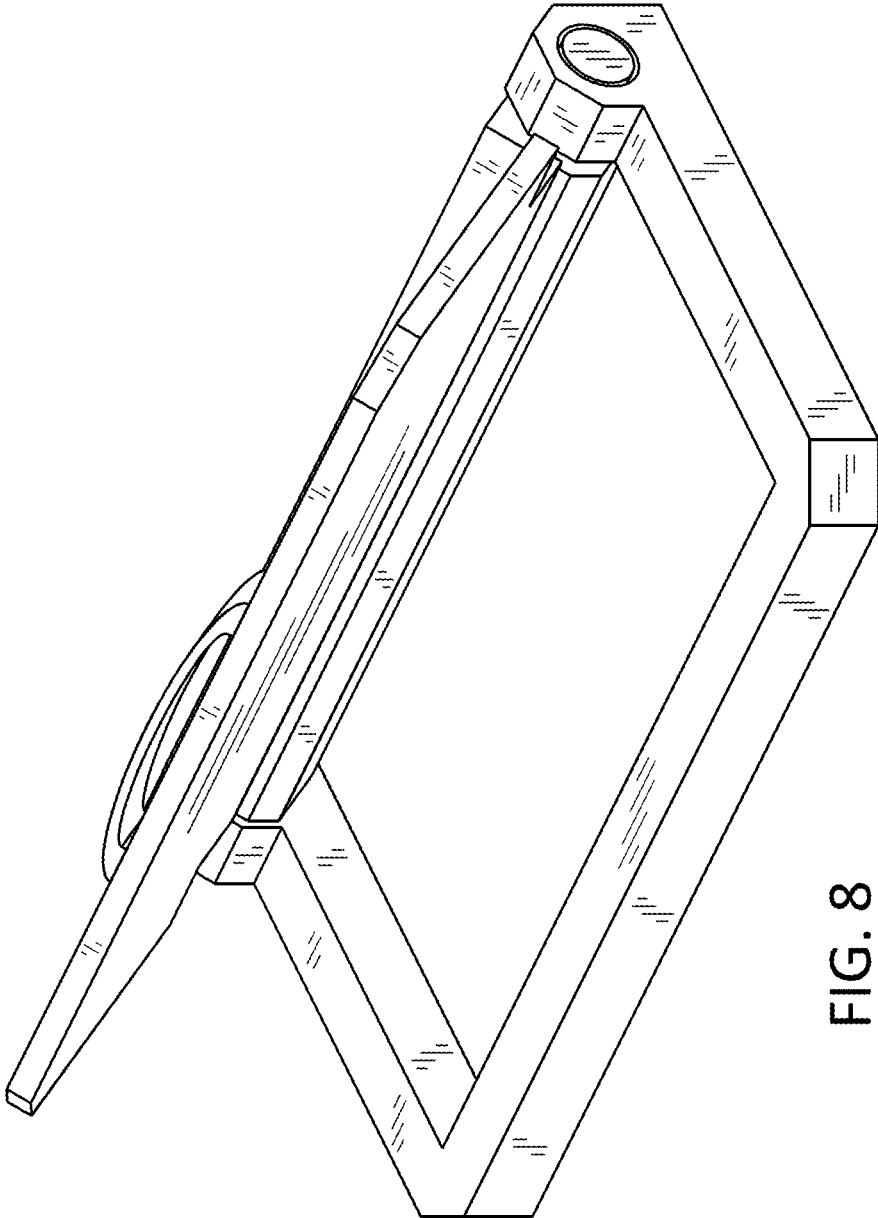


FIG. 8