



US00D994336S

(12) **United States Design Patent**  
**Wright et al.**

(10) **Patent No.:** **US D994,336 S**

(45) **Date of Patent:** **\*\* Aug. 8, 2023**

- (54) **SLEEVE FOR ELECTRONIC DEVICE**
- (71) Applicant: **Catalyst Lifestyle Limited**, North Point (HK)
- (72) Inventors: **Joshua Wright**, Hong Kong (CN);  
**June Lai**, Hong Kong (CN)
- (73) Assignee: **CATALYST LIFESTYLE LIMITED**, North Point (HK)
- (\*\*) Term: **15 Years**
- (21) Appl. No.: **29/861,202**
- (22) Filed: **Nov. 28, 2022**

D348,268	S	6/1994	Chambers
D357,919	S	5/1995	Tsui
D362,542	S	9/1995	Richards
D375,197	S	11/1996	Laherty
5,740,624	A	4/1998	Baseley
D399,604	S	10/1998	Wolff
D405,256	S	2/1999	Chacon
D420,006	S	2/2000	Tonino
D423,509	S	4/2000	Park
6,068,119	A	5/2000	Derr
D426,950	S	6/2000	Conway
D427,424	S	7/2000	Conway
D427,583	S	7/2000	Kazama
6,305,538	B1	10/2001	Jackson
D450,313	S	11/2001	Koinuma
D467,799	S	12/2002	Persson
D468,296	S	1/2003	Graceffa
D475,282	S	6/2003	Snaith
D475,696	S	6/2003	Hussaini
6,659,274	B2	12/2003	Enners
D493,257	S	7/2004	McCorkindale
D493,576	S	7/2004	Ward
D496,031	S	9/2004	Ma
6,817,470	B1	11/2004	Goldberg
D520,001	S	5/2006	Katayama
D527,227	S	8/2006	Bertulis
D528,012	S	9/2006	Snyder
D531,618	S	11/2006	Kenemer
D542,664	S	5/2007	Mayers
D548,970	S	8/2007	Huang
D553,077	S	10/2007	Kim
D554,364	S	11/2007	Rugg
D556,571	S	12/2007	Jalet
7,347,325	B2	3/2008	O'Neill
D566,484	S	4/2008	George
D572,206	S	7/2008	Ikeda
D586,557	S	2/2009	Jalet
D592,400	S	5/2009	Nelson
D594,659	S	6/2009	Lown
D595,952	S	7/2009	Nussberger
D596,393	S	7/2009	Leung
D599,546	S	9/2009	Lown
D600,913	S	9/2009	Kalbach
7,584,841	B2	9/2009	Chan
D601,366	S	10/2009	Barabas
D604,501	S	11/2009	Lee
D605,175	S	12/2009	Maruska
D606,307	S	12/2009	Gauss
D614,400	S	4/2010	Simonian
D614,402	S	4/2010	Lown
D618,229	S	6/2010	de Jong
7,775,354	B2	8/2010	Latchford
D627,675	S	11/2010	Graham

**Related U.S. Application Data**

- (62) Division of application No. 29/745,167, filed on Aug. 4, 2020, now Pat. No. Des. 974,758.

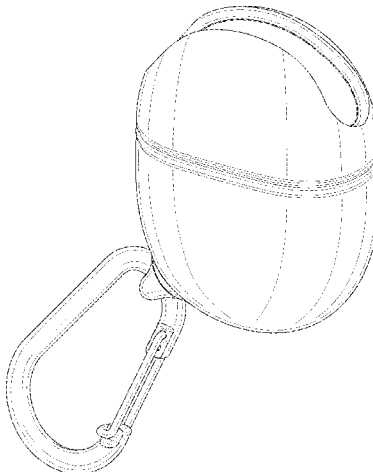
**Foreign Application Priority Data**

- Feb. 26, 2020 (CN) ..... 202030060863.4
- (51) **LOC (14) Cl.** ..... **03-01**
- (52) **U.S. Cl.**  
USPC ..... **D3/294**
- (58) **Field of Classification Search**  
USPC ..... D3/207, 212, 215, 218, 219, 266, 273,  
D3/275, 294, 299, 300, 302, 313  
CPC ..... H04R 2460/17  
See application file for complete search history.

**References Cited**

**U.S. PATENT DOCUMENTS**

D232,869	S	9/1974	Yoshimura
D239,160	S	3/1976	Gilberstein
D287,336	S	12/1986	Roehrig
4,907,694	A	3/1990	Miller
D310,480	S	9/1990	Geiger
D317,407	S	6/1991	Gray
D322,752	S	12/1991	Zintzmeyer
D323,292	S	1/1992	Jones
D338,102	S	8/1993	McGuire



# US D994,336 S

7,855,529 B2	12/2010	Liu	D868,453 S	12/2019	Lee
D634,115 S	3/2011	Long, Jr.	D868,465 S	12/2019	Lee
D637,647 S	5/2011	Allison	D869,147 S	12/2019	Lian
D642,159 S	7/2011	Joseph	D869,161 S	12/2019	Zhong
D648,980 S	11/2011	Forti	D869,163 S	12/2019	Maguire
D666,821 S	9/2012	Phillips	D869,675 S	12/2019	Hitscherich
D666,824 S	9/2012	Phillips	D870,037 S	12/2019	Lee
D666,826 S	9/2012	Phillips	D870,451 S	12/2019	Birger
D670,497 S	11/2012	Phillips	D872,094 S	1/2020	Wright
D672,642 S	12/2012	Supranowicz	D872,468 S	1/2020	Lee
D674,688 S	1/2013	Loftin	D872,469 S	1/2020	Lee
D677,888 S	3/2013	Sogabe	D872,723 S	1/2020	Lee
8,399,764 B2	3/2013	Klosky	D872,724 S	1/2020	Lee
D681,613 S	5/2013	Magness	D873,217 S	1/2020	Zhang
D683,136 S	5/2013	Wilson	D874,826 S	2/2020	Zhang
D692,664 S	11/2013	Rashid	D878,045 S	3/2020	Akana
8,644,011 B2	2/2014	Parkinson	D878,754 S	3/2020	Lee
D707,041 S	6/2014	Park	D881,179 S	4/2020	Wright
D708,784 S	7/2014	Kim	D881,181 S	4/2020	Wright
D709,869 S	7/2014	Witter	D881,566 S	4/2020	Lee
D718,741 S	12/2014	Lui	D881,572 S	4/2020	Wang
D718,750 S	12/2014	Young	D881,867 S	4/2020	Lee
D720,096 S	12/2014	Mcdougall	D882,259 S	4/2020	Liu
8,961,015 B1	2/2015	Bihn	D886,445 S	6/2020	Hyun
D723,461 S	3/2015	Chen	D886,453 S	6/2020	Wright
D731,178 S	6/2015	Gorouvein	D886,454 S	6/2020	Williamson
D732,681 S	6/2015	Matsuura	D887,140 S	6/2020	Hyun
D733,696 S	7/2015	Burgett	D887,401 S	6/2020	Wright
9,090,385 B2	7/2015	Blagojevic	D888,036 S	6/2020	Wright
9,125,478 B2	9/2015	Li	D888,037 S	6/2020	Wright
D748,606 S	2/2016	Abayomi	D888,038 S	6/2020	Wright
D757,685 S	5/2016	Park	D888,039 S	6/2020	Wright
D759,632 S	6/2016	Fischer	D888,040 S	6/2020	Wright
D759,867 S	6/2016	Grandadam	D888,041 S	6/2020	Wright
D766,215 S	9/2016	Mackiewicz	D888,042 S	6/2020	Wright
D766,905 S	9/2016	Lee	D888,043 S	6/2020	Wright
D768,605 S	10/2016	Wong	D888,408 S	6/2020	Lee
D769,879 S	10/2016	Kim	D888,663 S	6/2020	Weng
D775,818 S	1/2017	Ingraham	D889,402 S	7/2020	Lim
D777,331 S	1/2017	Jayalath	D890,765 S	7/2020	Lee
D777,530 S	1/2017	Marret	D891,771 S	8/2020	Lee
D780,740 S	3/2017	Kim	D892,497 S	8/2020	Wright
D790,510 S	6/2017	Xiao	D892,498 S	8/2020	Wright
D794,617 S	8/2017	Wright	D892,499 S	8/2020	Wright
D794,618 S	8/2017	Wright	D893,184 S	8/2020	Liu
9,733,054 B2	8/2017	Blagojevic	D894,156 S	8/2020	Pai
D801,346 S	10/2017	Oberpriller	D895,287 S	9/2020	Hyun
D805,502 S	12/2017	Zhuang	D895,288 S	9/2020	Hyun
D806,082 S	12/2017	Armstrong	D897,678 S	10/2020	Koh
D806,388 S	1/2018	Akana	D897,997 S	10/2020	Zhang
D808,791 S	1/2018	Johnston	D903,316 S	12/2020	Kwak
D818,268 S	5/2018	Akana	D904,760 S	12/2020	Hyun
D823,311 S	7/2018	Oberpriller	D904,765 S	12/2020	Hyun
D824,366 S	7/2018	Luo	D907,009 S	1/2021	Akana
D826,152 S	8/2018	Christiansen	D908,084 S	1/2021	He
D829,192 S	9/2018	Liu	D911,711 S	3/2021	Feng
D831,002 S	10/2018	Distefano	D914,604 S	3/2021	Wang
D834,301 S *	11/2018	Poissant .....	D918,174 S	5/2021	Czaniecki
D836,478 S	12/2018	Wright	D918,579 S	5/2021	Youn
D837,783 S	1/2019	Wang	D920,235 S	5/2021	Liu
D838,265 S	1/2019	Wright	11,039,523 B2	6/2021	Wang
D838,480 S	1/2019	Son	D924,560 S	7/2021	Hyun
D841,580 S	2/2019	Bao	D926,470 S	8/2021	Luo
D841,581 S	2/2019	Bonahoom	D927,181 S	8/2021	Jung
D846,264 S	4/2019	Wu	D928,165 S	8/2021	Li
D847,807 S	5/2019	Wright	D929,879 S	9/2021	Paschke
D848,013 S	5/2019	Fuhner	D931,268 S	9/2021	Wright
D849,401 S	5/2019	Akana	D932,462 S	10/2021	Wu
D850,224 S	6/2019	James	D933,045 S	10/2021	Jin
D852,372 S	6/2019	Fuhner	D933,602 S	10/2021	Zhang
D853,357 S	7/2019	Li	D934,563 S	11/2021	Xiang
D856,310 S	8/2019	Lu	D934,565 S	11/2021	Wright
D862,416 S	10/2019	Czaniecki	D934,869 S	11/2021	Wright
D862,425 S	10/2019	Yan	D935,179 S	11/2021	Liu
D862,435 S	10/2019	Kwak	D935,180 S	11/2021	Zhang
D864,110 S	10/2019	Yoshimura	D936,361 S	11/2021	Chun
D864,971 S	10/2019	Lee	D938,430 S	12/2021	Feng
D865,717 S	11/2019	Wang	D939,212 S	12/2021	Saxton
D866,167 S	11/2019	Chudy	D940,798 S	1/2022	Coughlan

D941,023	S	1/2022	Lee
D941,762	S	1/2022	Ye
2003/0218445	A1	11/2003	Behar
2007/0261978	A1	11/2007	Sanderson
2010/0176166	A1	7/2010	Siagri
2011/0017620	A1	1/2011	Latchford
2015/0014367	A1	1/2015	Vansyckel
2015/0195938	A1	7/2015	Witter
2016/0063293	A1	3/2016	Sun
2016/0240945	A1	8/2016	Lee
2018/0064224	A1	3/2018	Brzezinski
2019/0372377	A1	12/2019	Weinstein
2020/0100573	A1	4/2020	Ekelund
2020/0304899	A1	9/2020	Cramer
2021/0029424	A1	1/2021	Wright
2021/0181012	A1	6/2021	Simmendinger
2021/0345742	A1	11/2021	Wright
2021/0376636	A1	12/2021	Takami
2021/0377646	A1	12/2021	Luo

## FOREIGN PATENT DOCUMENTS

CN	3160446	S	9/2000
CN	301100826	S	1/2010
CN	301206950	S	5/2010
CN	301304263	S	8/2010
CN	301908776	S	5/2012
CN	302075062	S	9/2012
CN	302246979	S	12/2012
CN	302302598	S	1/2013
CN	302706977	S	1/2014
CN	302822402	S	5/2014
CN	303054765	S	12/2014
CN	303092548	S	2/2015
CN	304021713	S	2/2017
CN	304239640	S	8/2017
CN	304317772	S	10/2017
CN	304335071	S	10/2017
CN	304335072	S	10/2017
CN	304342633	S	11/2017
CN	304344793	S	11/2017
CN	304351321	S	11/2017
CN	304362692	S	11/2017
CN	206744792	U	12/2017
CN	304382968	S	12/2017
CN	304382972	S	12/2017
CN	304469866	S	1/2018
CN	304477001	S	1/2018
CN	304493923	S	2/2018
CN	304499444	S	2/2018
CN	304501780	S	2/2018
CN	304504641	S	2/2018
CN	304539055	S	3/2018
CN	304983166	S	1/2019
CN	208581338	U	3/2019
CN	208939608	U	6/2019
DE	202018105634	U1	11/2018
GB	6089804	S	5/2020
GB	06111653	S	1/2021
JP	1574277	S	3/2017
JP	1674536	S	11/2020
KR	300355285	S	6/2004
KR	300384969	S	6/2005
KR	20130028536	A	3/2013
KR	200488427	Y1	1/2019
KR	3011039250000	S	6/2021

## OTHER PUBLICATIONS

Breville Smart Oven Review, publication elate Sep. 10, 2013, [online][site visited Apr. 30, 2020] URL: <https://www.cnet.com/reviews/breville-smart-oven-review/> (Year: 2013).  
Catalyst 3.3ft Waterproof Case for Google Pixels Buds 2, announced Jul. 26, 2020 [online], [site visited Sep. 16, 2021]. Available from internet, URL: <https://www.amazon.com/Catalyst-Waterproof--Silicone-Compatible-Carabiner/dp/B087JMQB73/> (Year: 2020).  
Kim1991tae. "AirPod Case Catalyst." Naver, Aug. 9, 2017. Web. <http://blog.naver.com/kim1991tae/221070237784>.

Klipsch T5 II True Wireless Sport Earphones in Black with Dust/Waterproof Case, announced Jul. 13, 2021 [online], retrieved Jan. 28, 2022, retrieved from internet, [https://www.ubuy.eo.id/en/product/D29P6J M-klipsch-t5-ii-true-wireless-sport-earphones-black](https://www.ubuy.eo.id/en/product/D29P6J-M-klipsch-t5-ii-true-wireless-sport-earphones-black).

Linear DNT Garage Door Remote Control, earliest photo verified date on webarchive Jul. 23, 2016, [online][site visited Apr. 30, 2020] URL: <https://dooropenersandmore.com/linear-dnt00026-mini-remote-control> (Year: 2016).

Pelican Protector, announced Dec. 24, 2020 [online], retrieved Jan. 28, 2022, retrieved from internet, <https://case-mate.com/products/pelican-protector-airpods-pro?currency=USD&variant=34430702354568>.

This AirPods Accessory is strangely awesome—Catalyst AirPods Case, publication date Apr. 7, 2017, [online][site visited Sep. 9, 2019] URL: <https://www.cnet.com/news/coming-soon-a-waterproof-case-for-your-airpods-case/> (Year 2017).

This glow-in-the-dark,waterproof AirPods case—Catalyst AirPods Case, publication date Apr. 14, 2017, [online][site visited Sep. 9, 2019] URL:<https://www.theverge.com/circuitbreaker/2017/4/14/15306100/catalyst-case-airpods-sale-glow-in-the-dark> (Year: 2017).  
U.S. Office Aciton dated Feb. 2, 2022 pertaining to U.S. Appl. No. 29/712,868, filed Nov. 12, 2019, 112 pages.

U.S. Office Action dated Feb. 2, 2022 pertaining to U.S. Appl. No. 29/726,011, filed Feb. 28, 2020, 15 pages.

Waterproof and Drop Proof Case for Beats Studio Buds, announced © 2022 [online], retrieved Jan. 28, 2022, retrieved from internet, <https://www.catalystlifestyle.com/products/waterproof-and-drop-proof-case-for-beats-studio-buds?variant=39614953455725>.

Waterproof Case for Google Pixel Buds 2, announced © 2022 [online], retrieved Jan. 28, 2022, retrieved from internet, <https://www.catalystlifestyle.com/collections/google/products/waterproof-case-for-google-pixel-buds-2?variant=32716947325037>.

\* cited by examiner

*Primary Examiner* — Kevin K Rudzinski

*Assistant Examiner* — Amber J Rabie

(74) *Attorney, Agent, or Firm* — Dinsmore & Shohl LLP

(57)

## CLAIM

The ornamental design for a sleeve for electronic device, as shown and described.

## DESCRIPTION

FIG. 1 is a front, top, and side perspective view of a first embodiment of a sleeve for electronic device showing our new design;

FIG. 2 is a front, bottom, and side perspective view thereof;  
FIG. 3 is a front, top, and opposite side perspective view thereof;

FIG. 4 is a rear, top, and side perspective view thereof;

FIG. 5 is a front elevation view thereof;

FIG. 6 is a rear elevation view thereof;

FIG. 7 is a side elevation view thereof;

FIG. 8 is an opposite side elevation view thereof;

FIG. 9 is a top plan view thereof;

FIG. 10 is a bottom plan view thereof;

FIG. 11 is a front, top, and side perspective view of a second embodiment of a sleeve for electronic device showing our new design;

FIG. 12 is a front, bottom, and side perspective view thereof;

FIG. 13 is a front, top, and opposite side perspective view thereof;

FIG. 14 is a rear, bottom, and side perspective view thereof;

FIG. 15 is a front elevation view thereof;

FIG. 16 is a rear elevation view thereof;

FIG. 17 is a side elevation view thereof;

FIG. 18 is an opposite side elevation view thereof;  
FIG. 19 is a top plan view thereof; and,  
FIG. 20 is a bottom plan view thereof.  
The broken lines depict portions of the sleeve for electronic  
device that form no part of the claimed design.

**1 Claim, 20 Drawing Sheets**

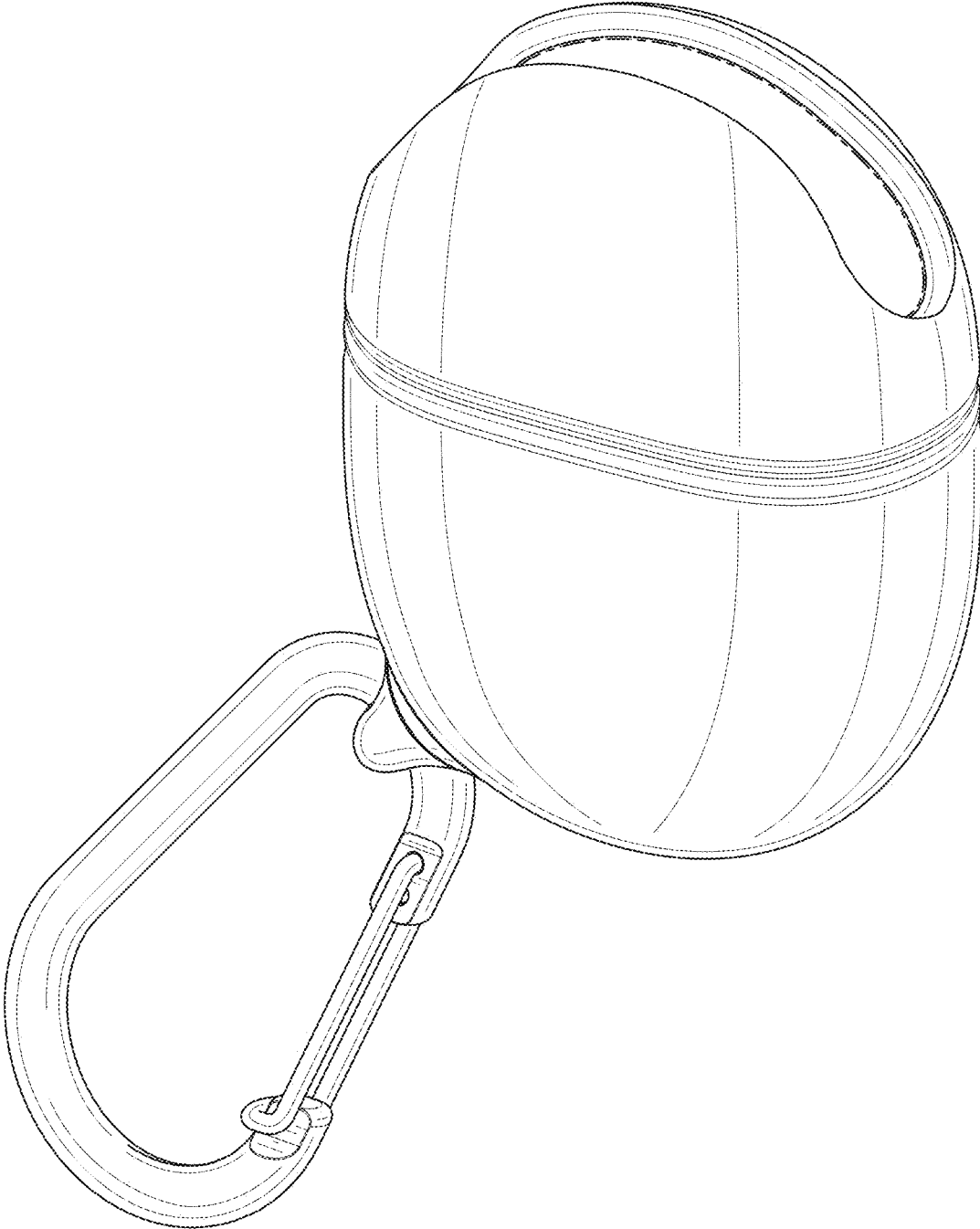


FIG. 1

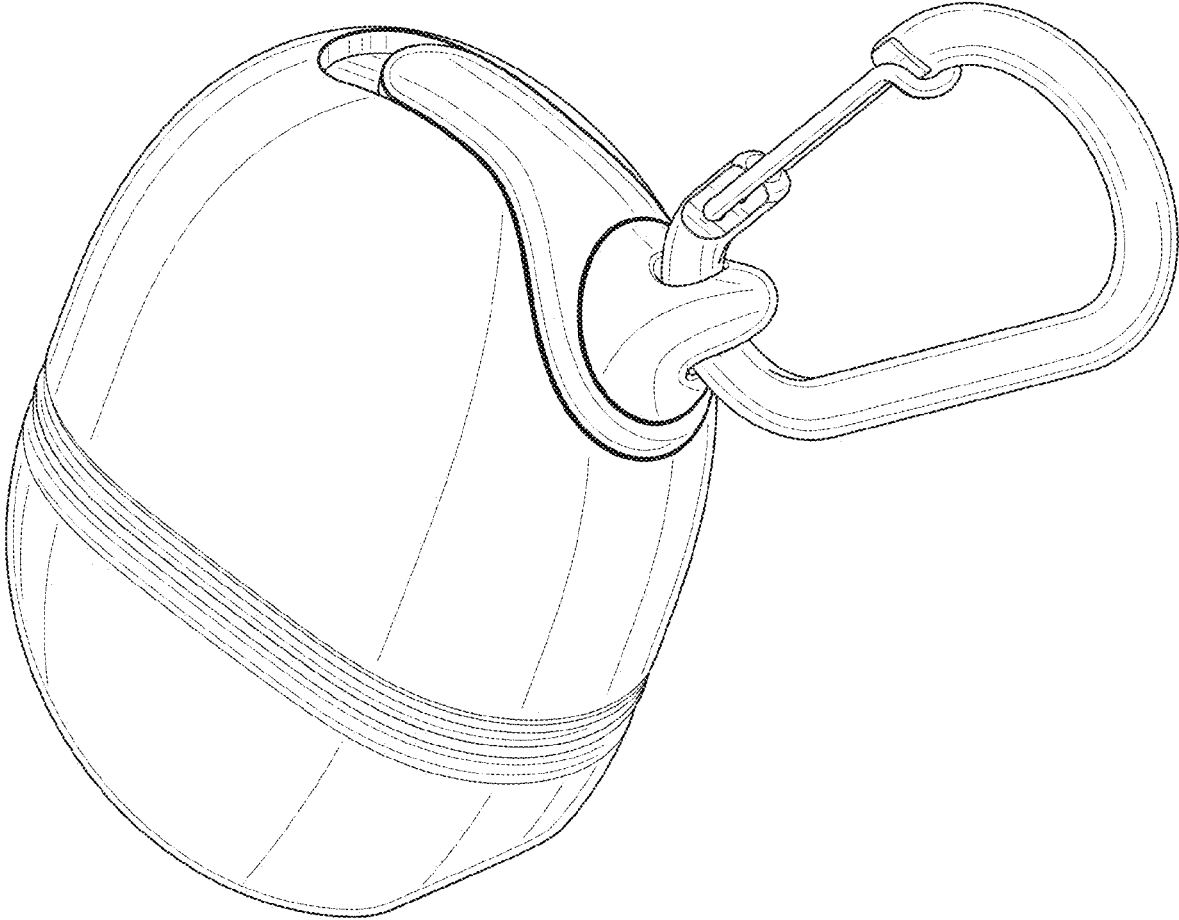


FIG. 2

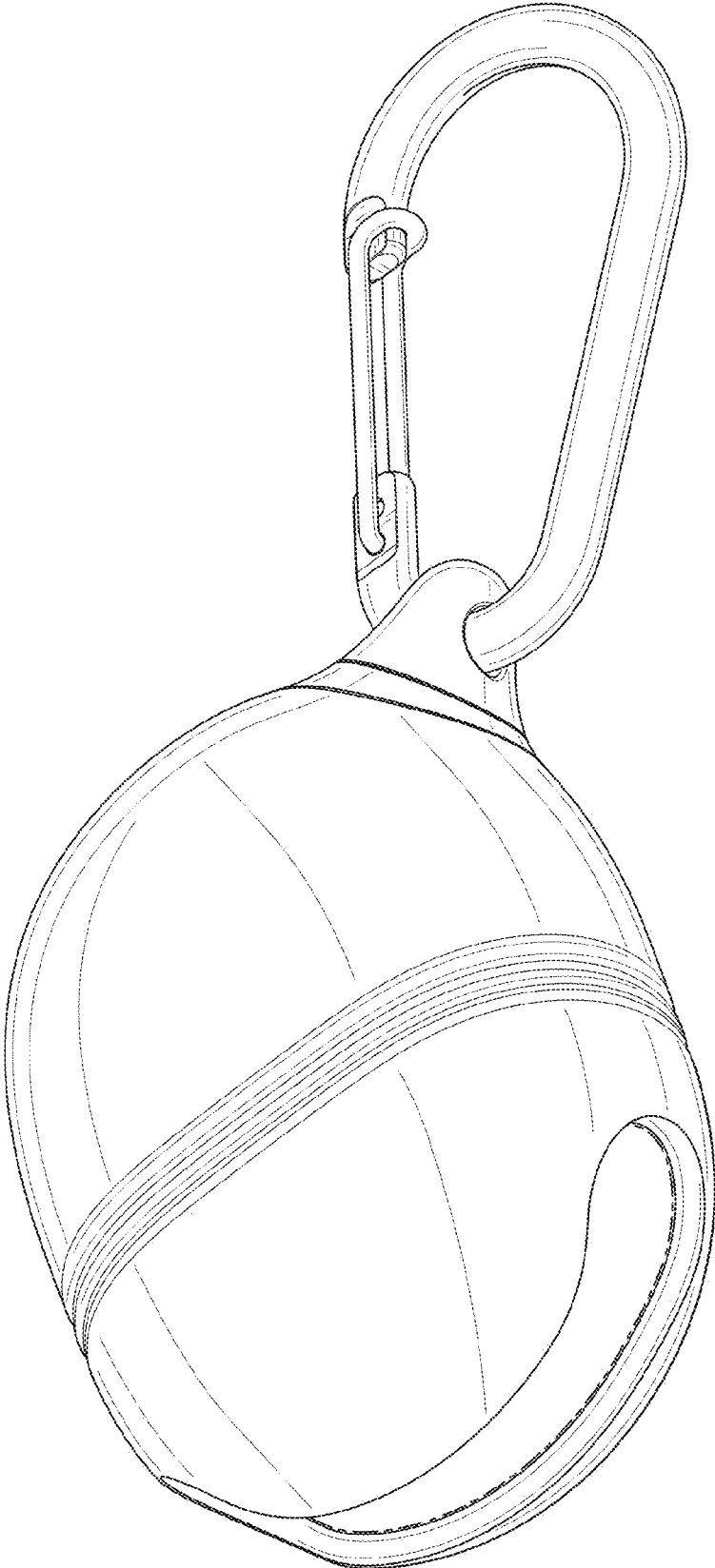


FIG. 3

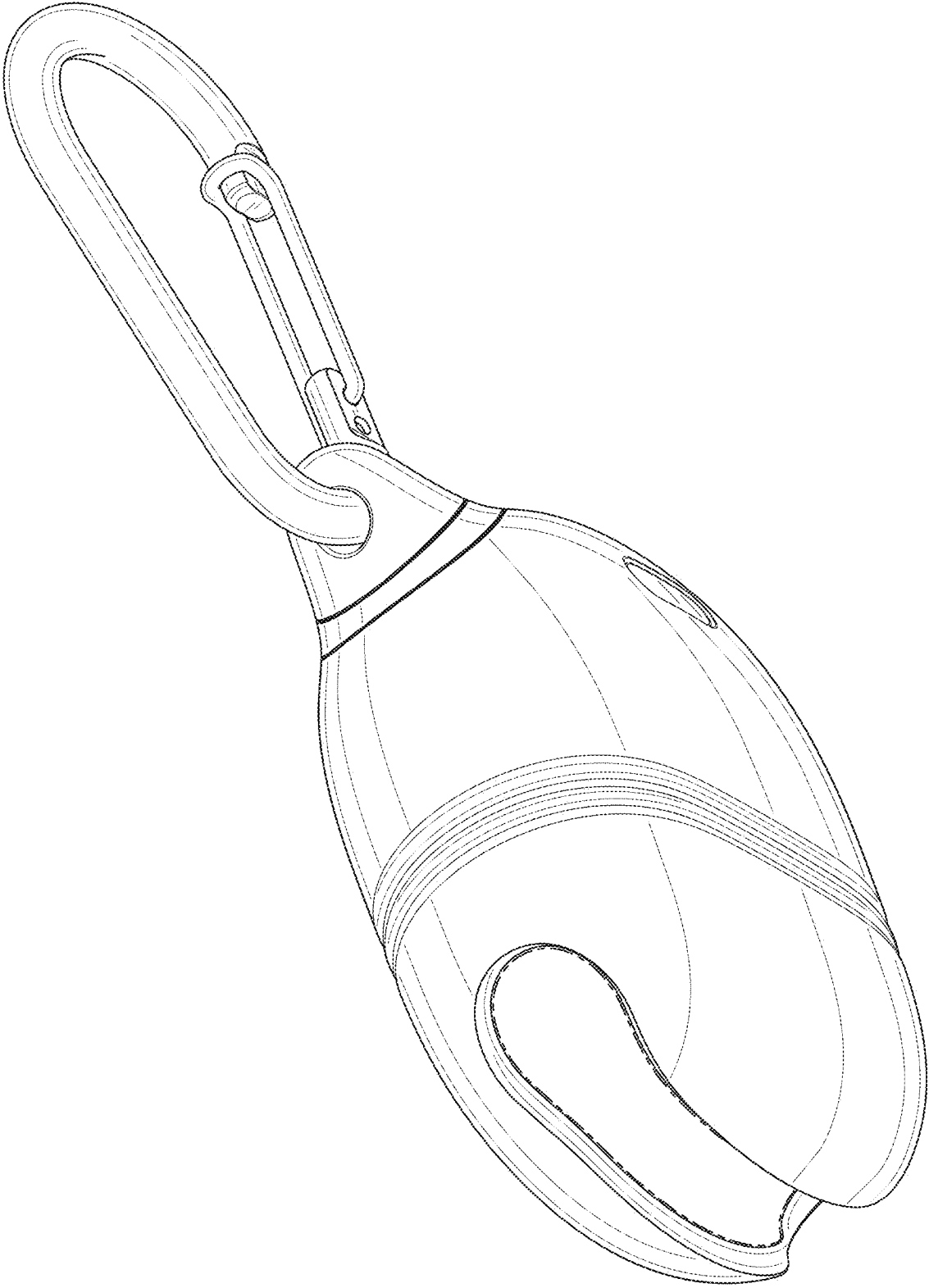


FIG. 4



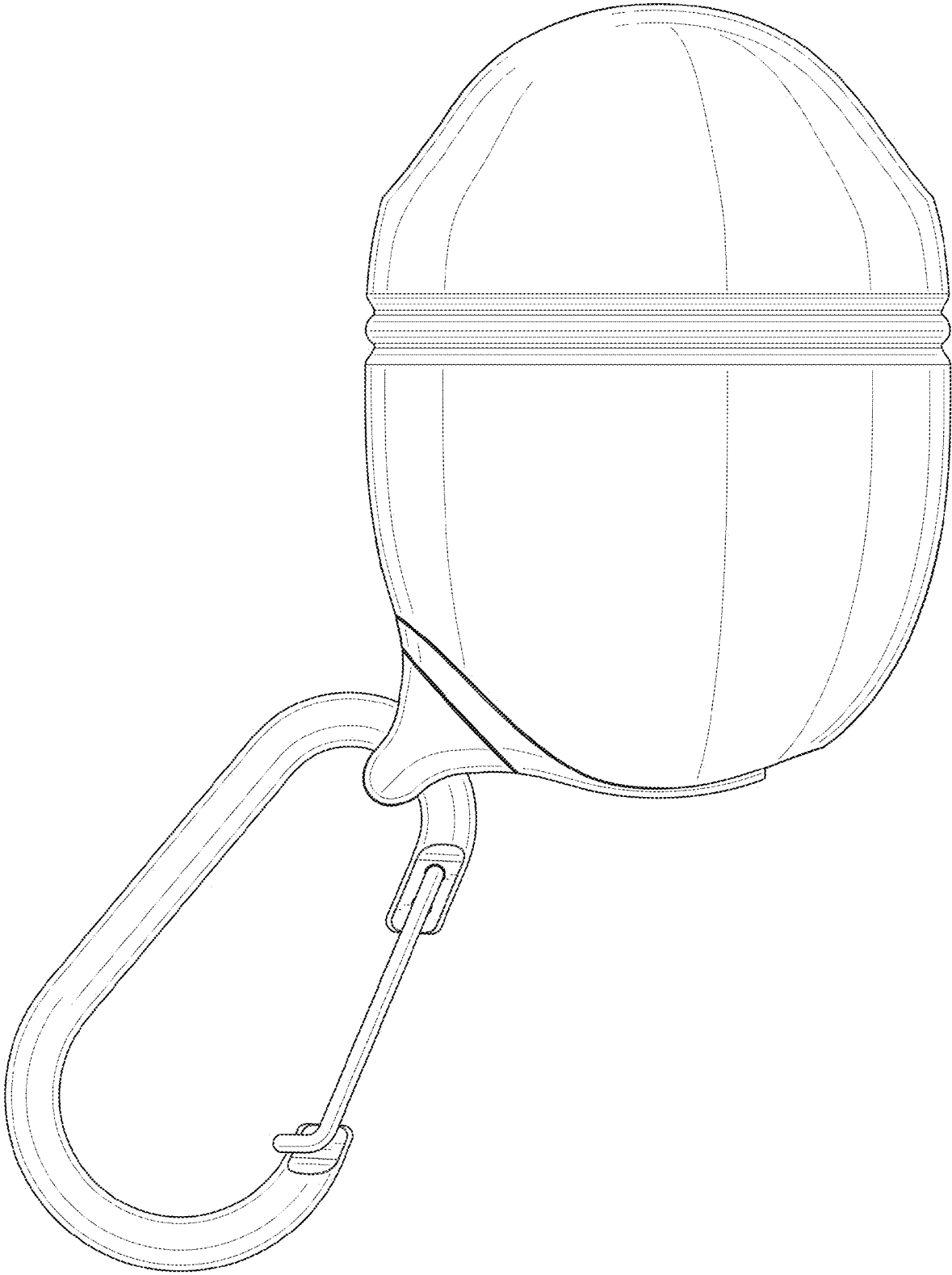


FIG. 5

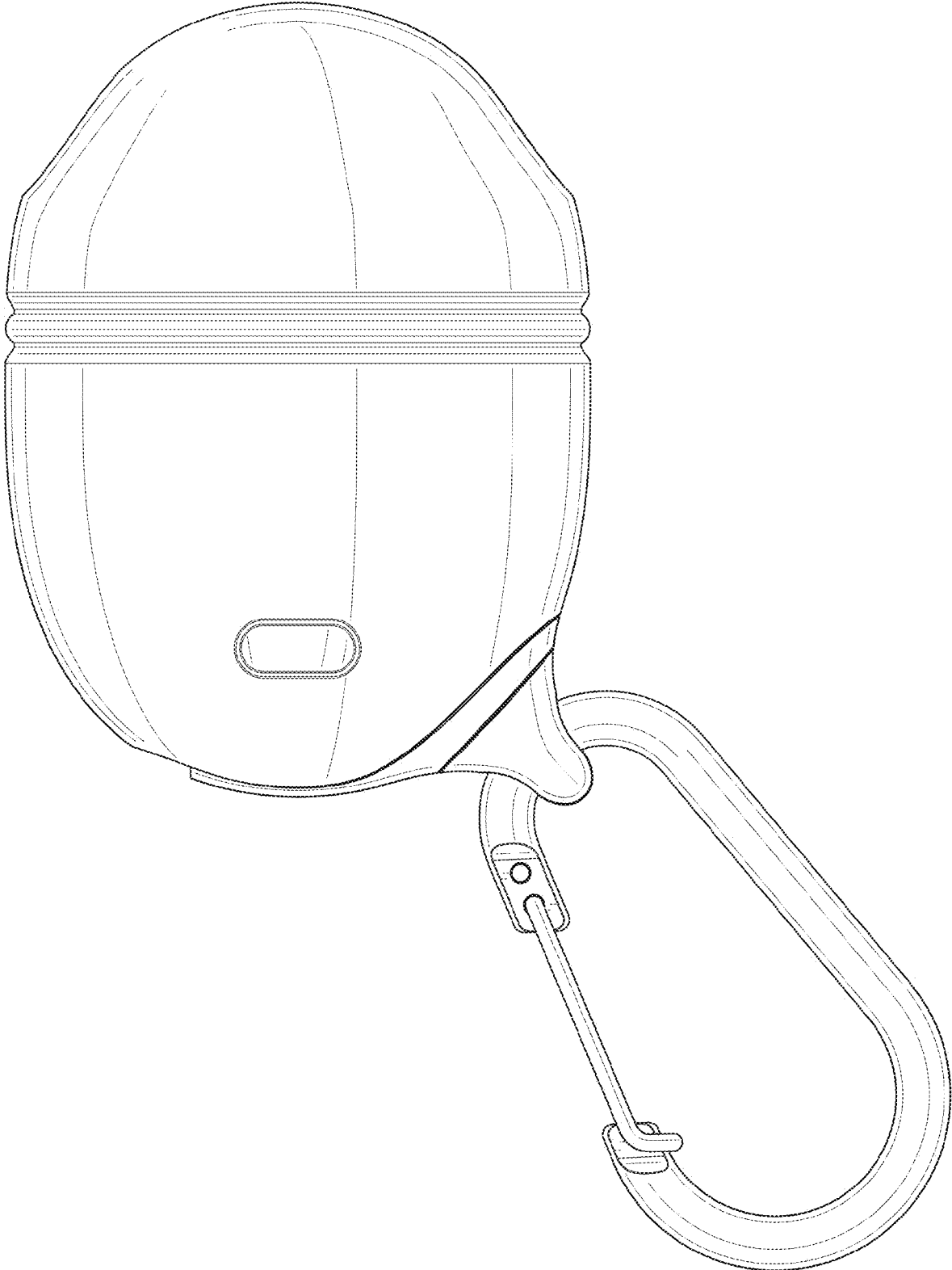


FIG. 6

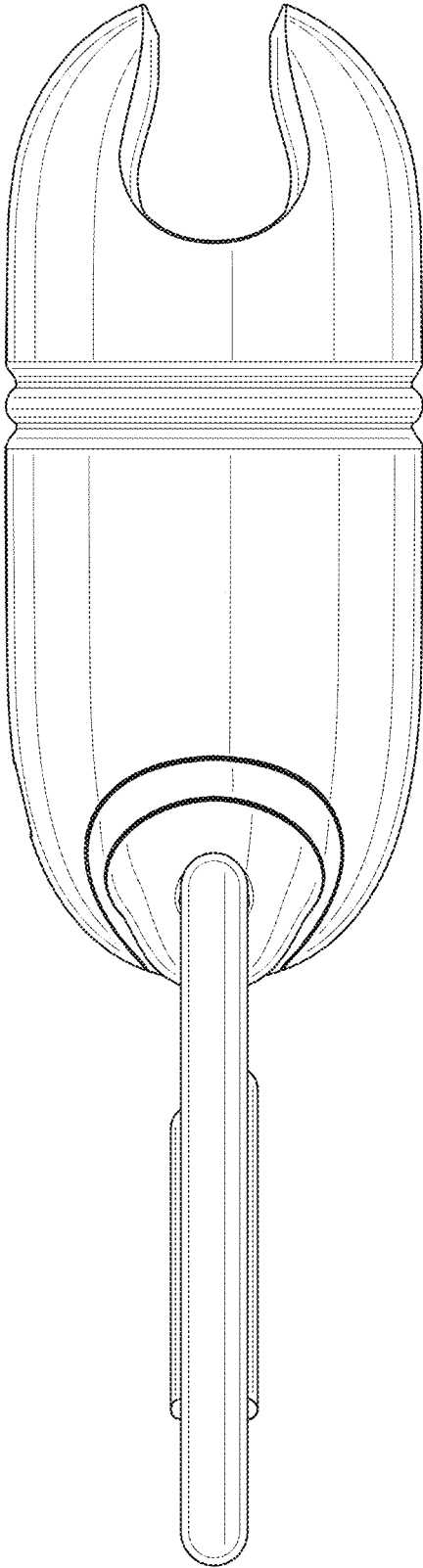


FIG. 7

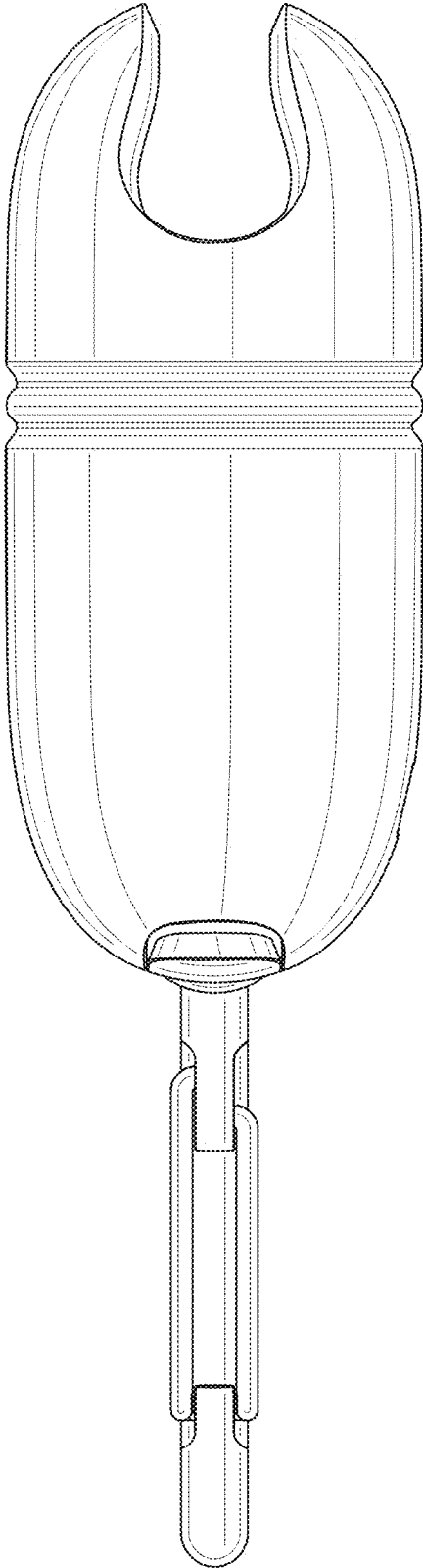


FIG. 8

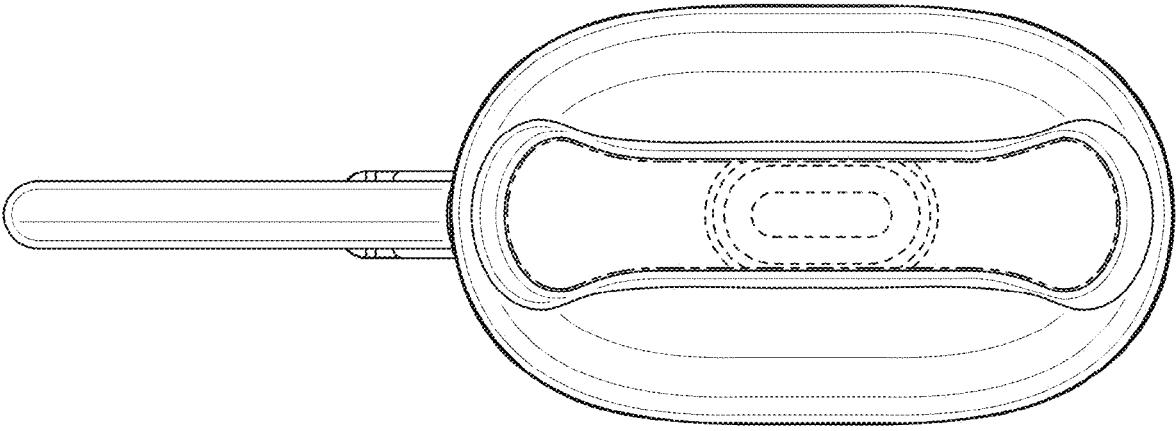


FIG. 9

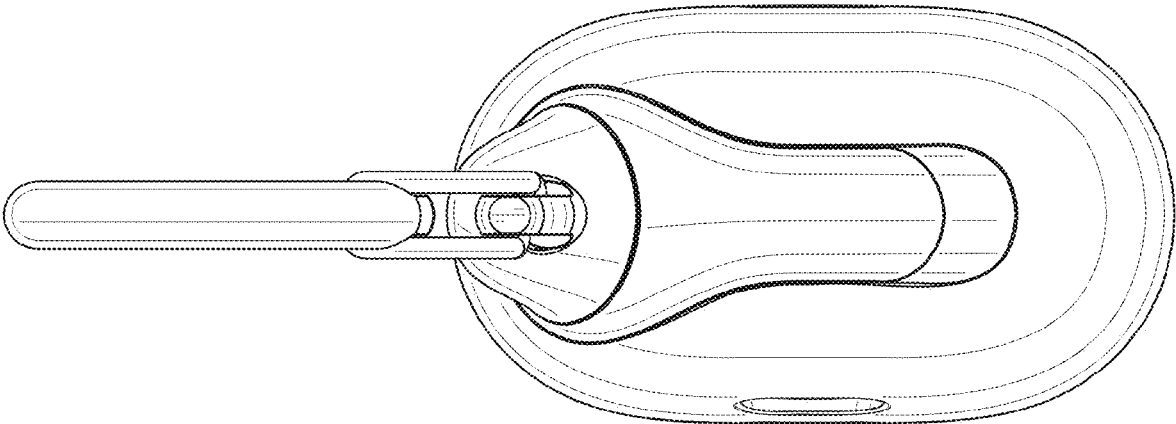


FIG. 10

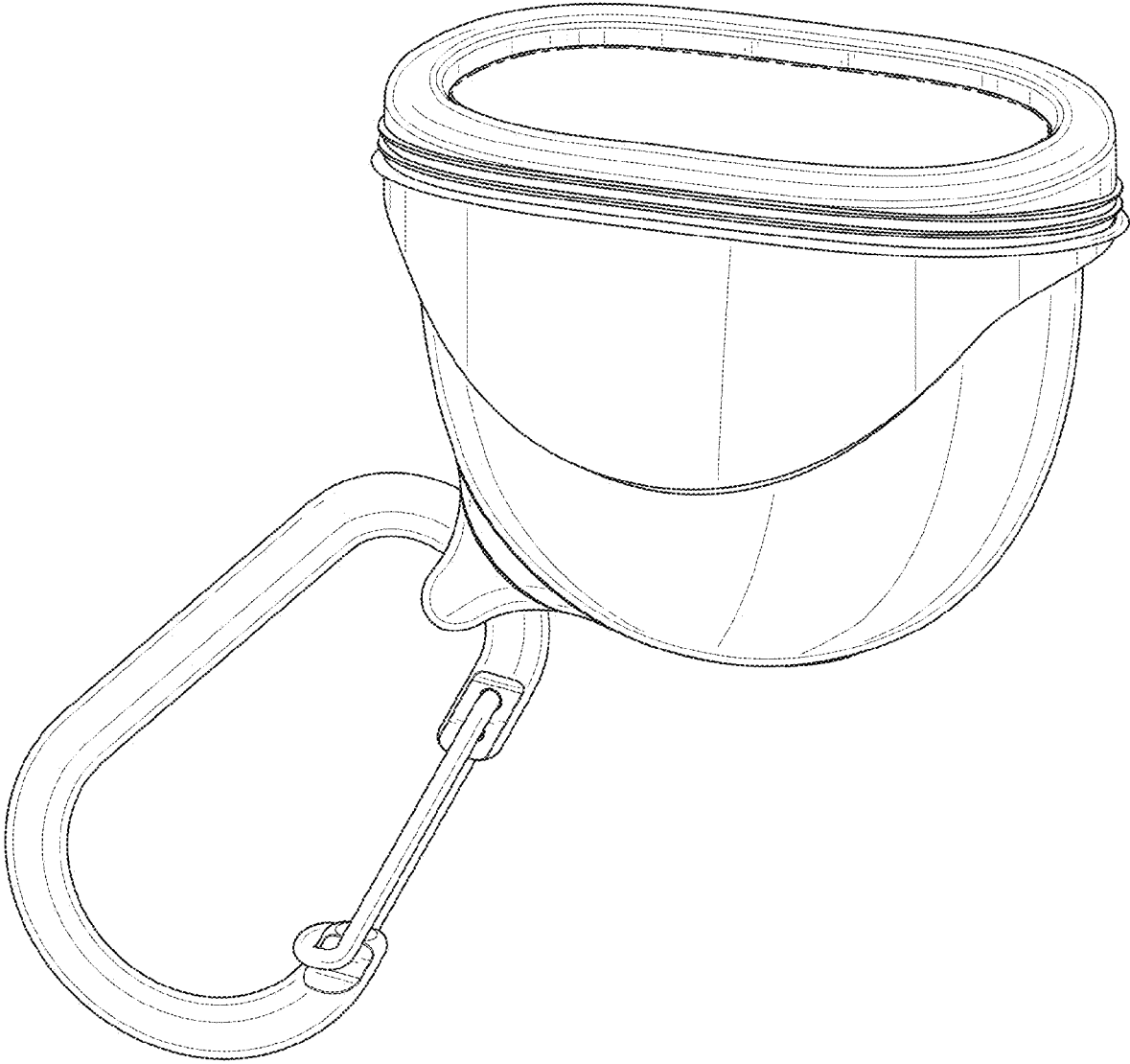


FIG. 11

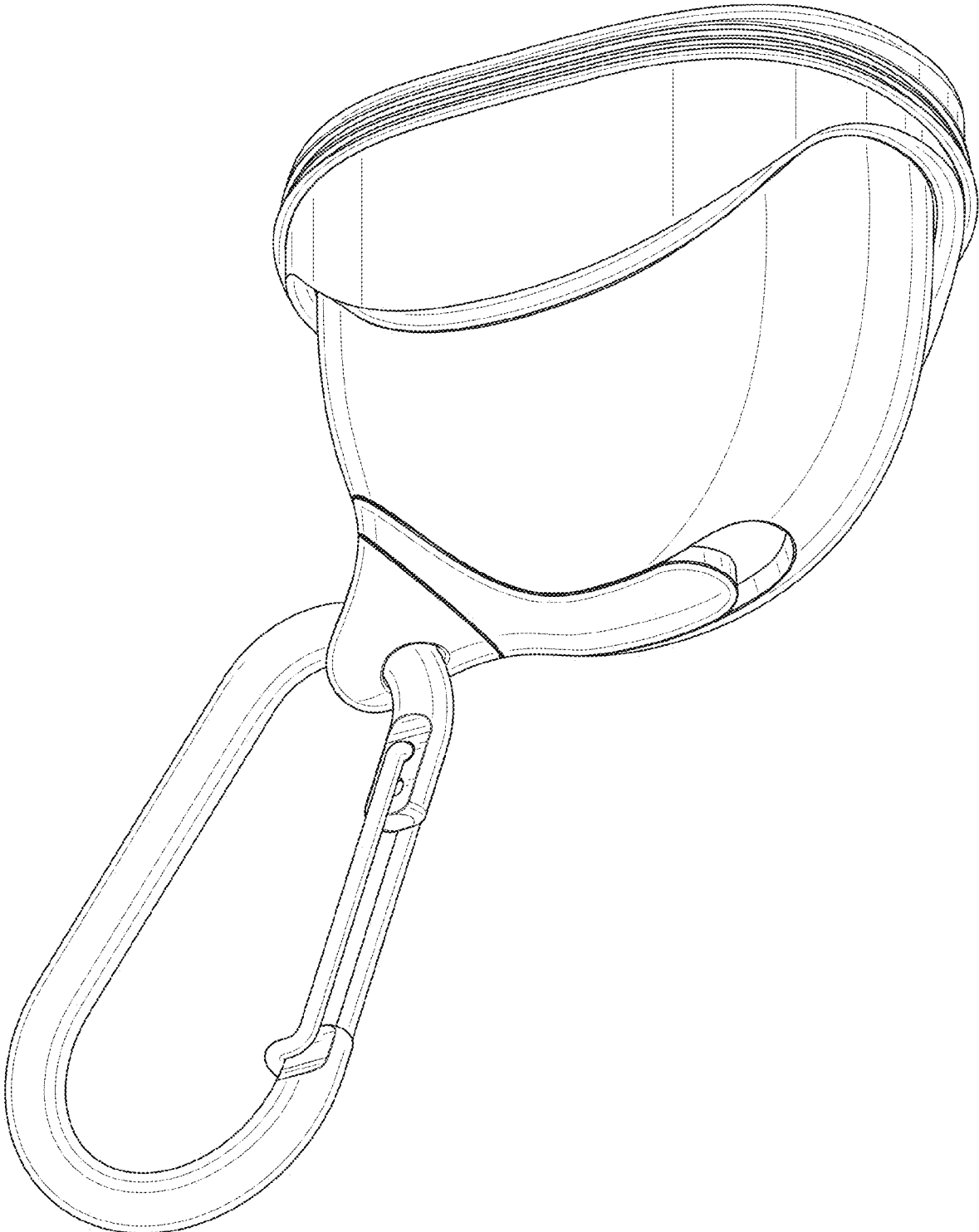


FIG. 12



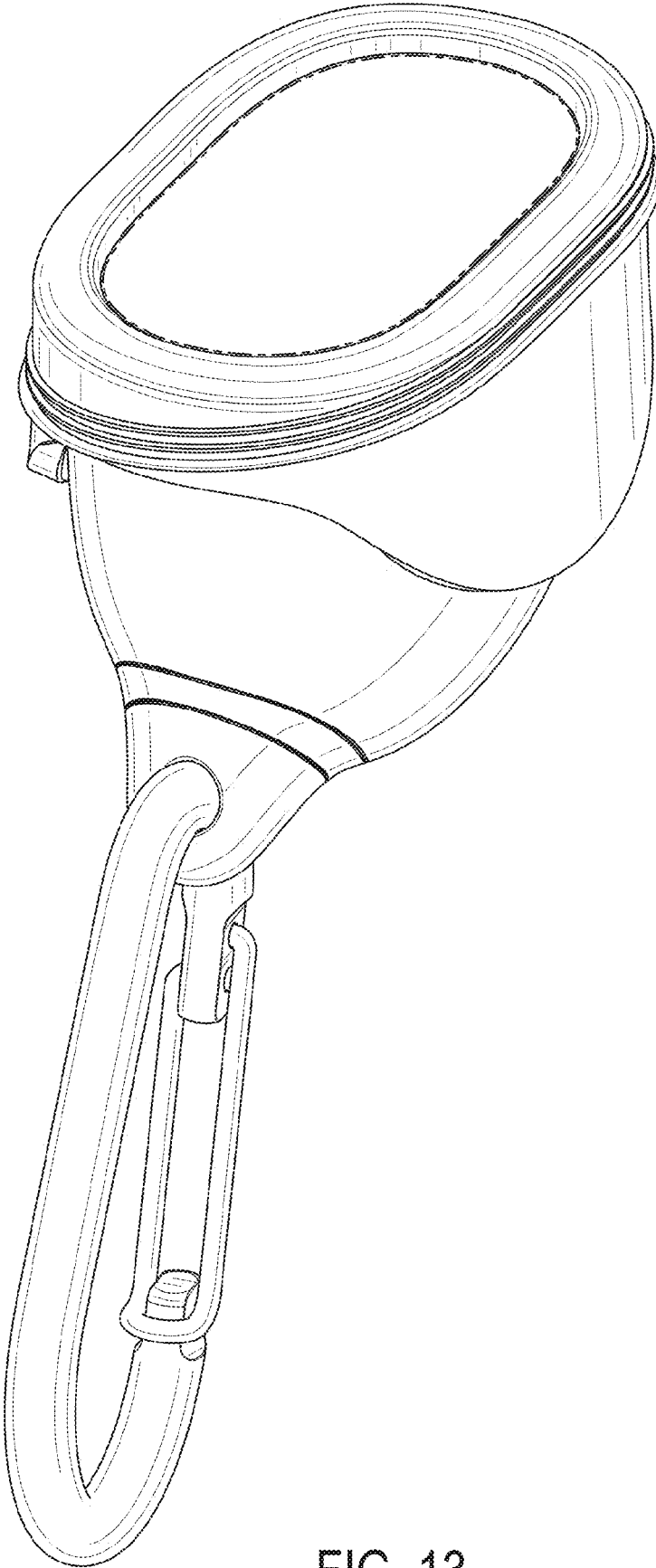


FIG. 13

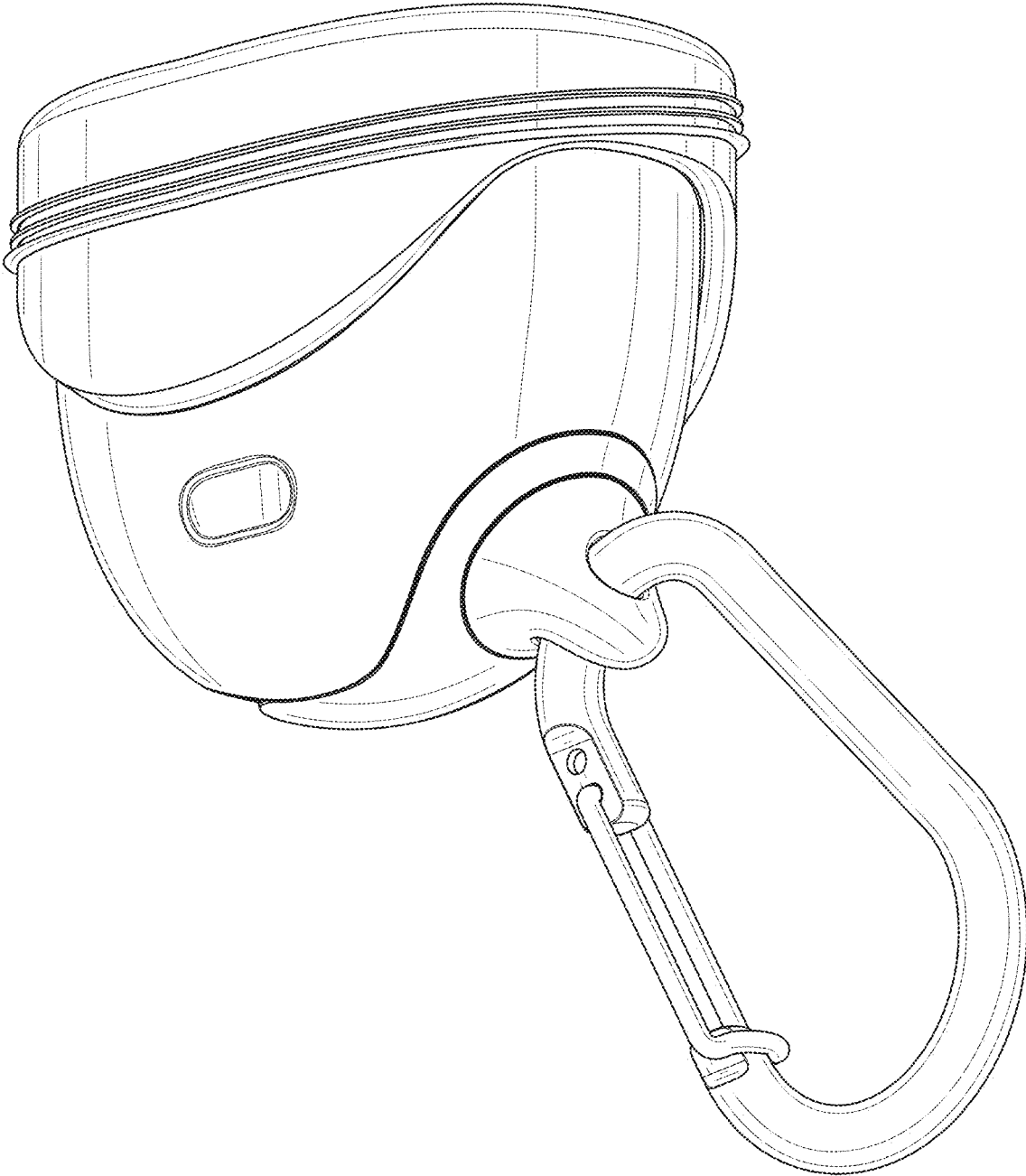


FIG. 14

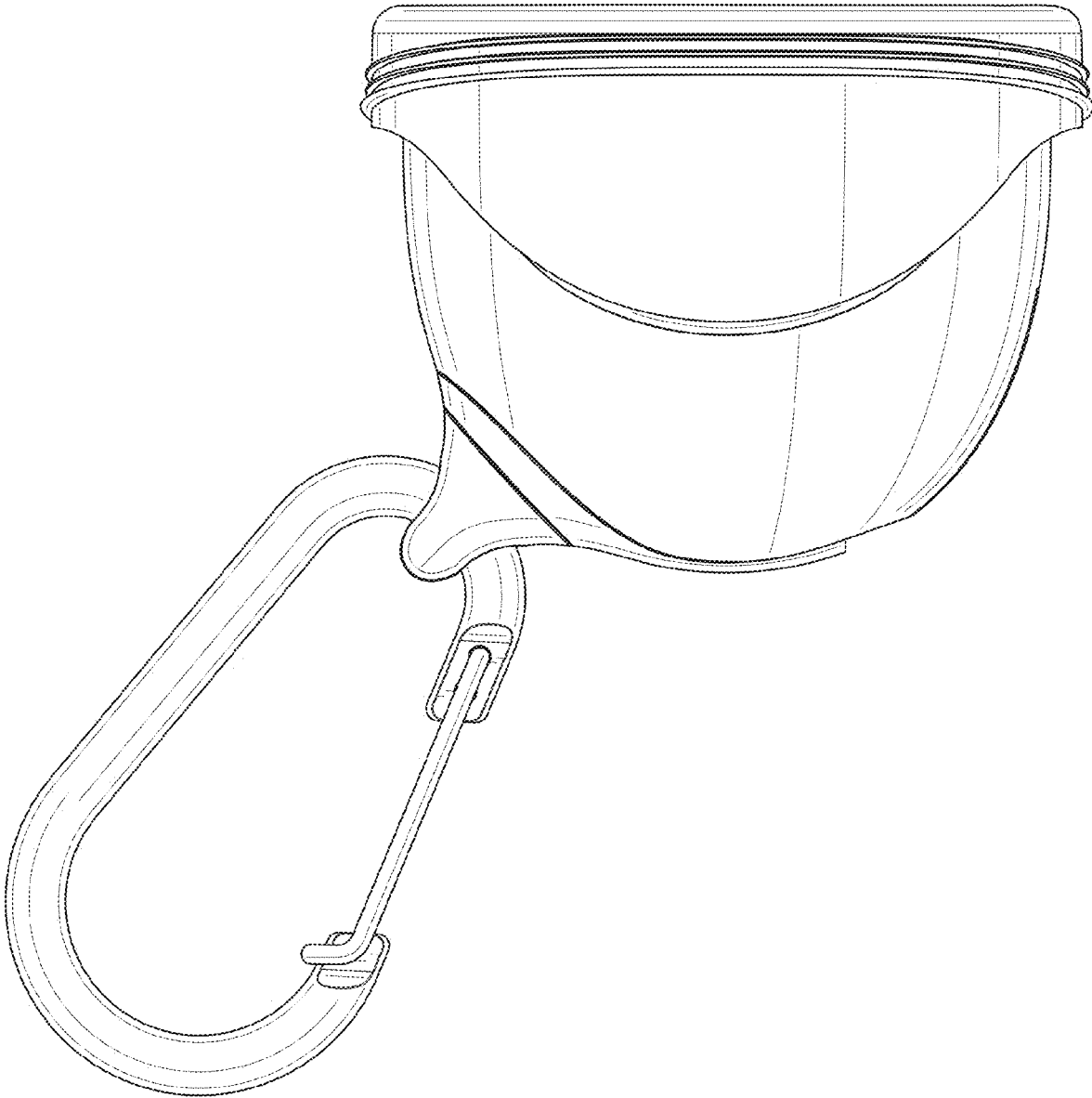


FIG. 15

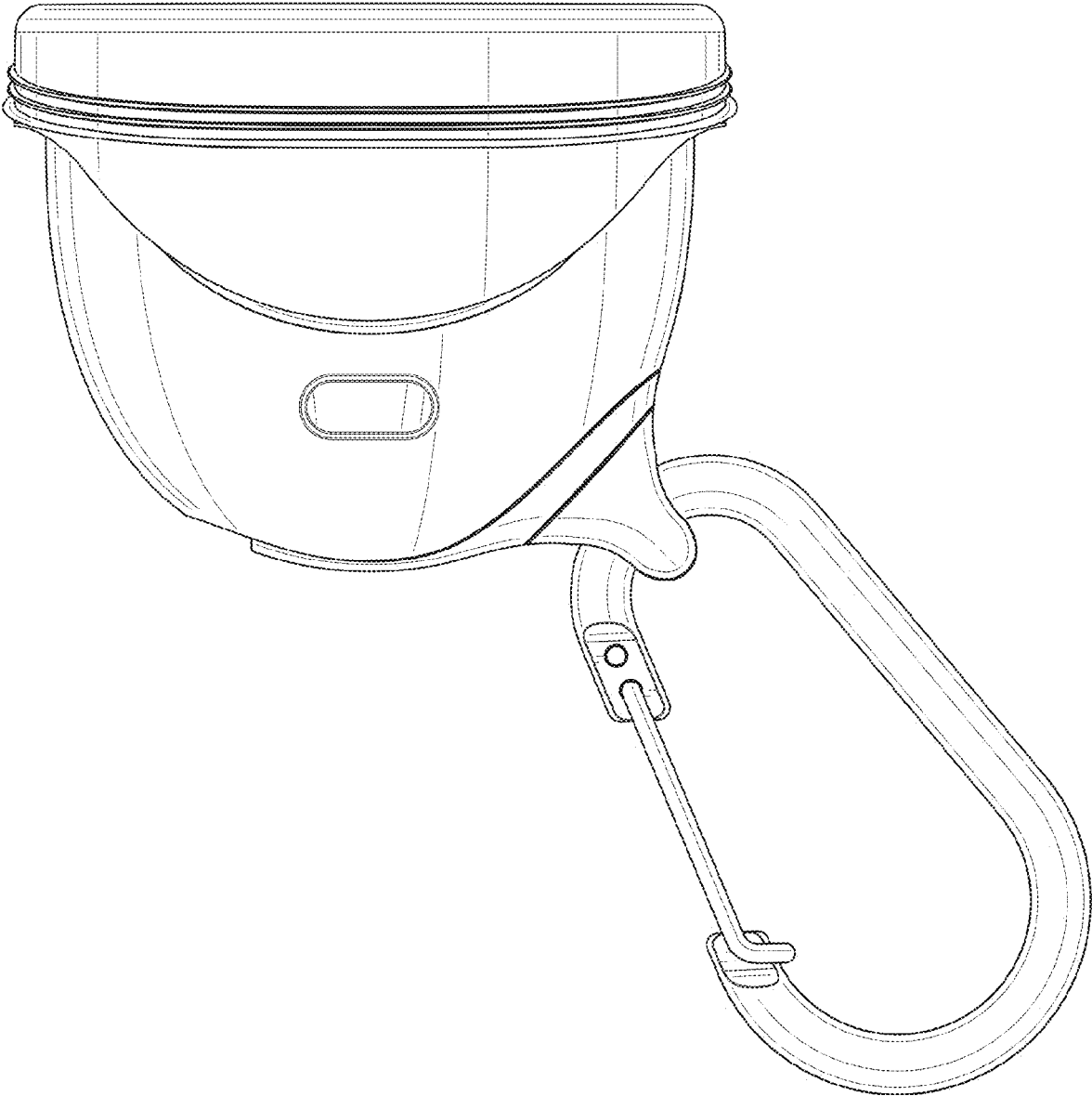


FIG. 16

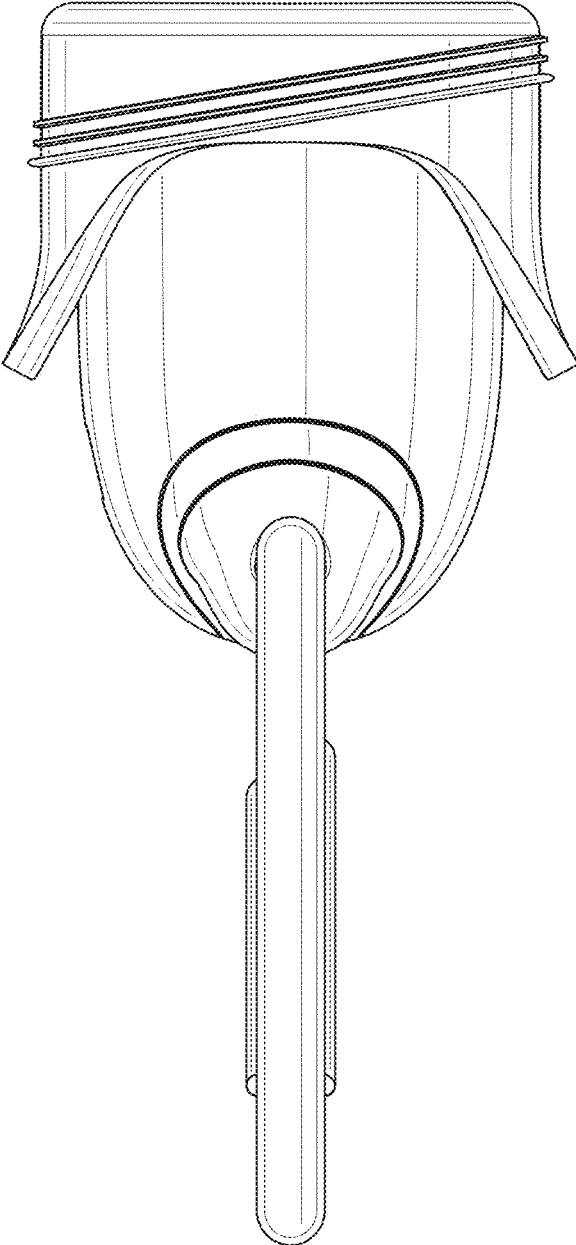


FIG. 17

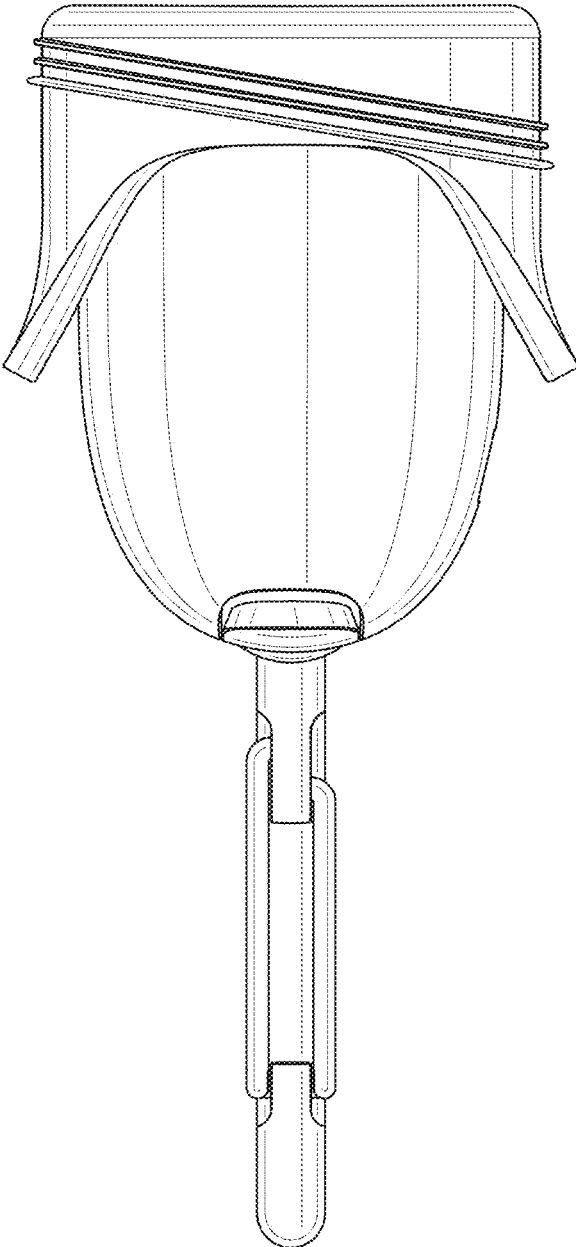


FIG. 18

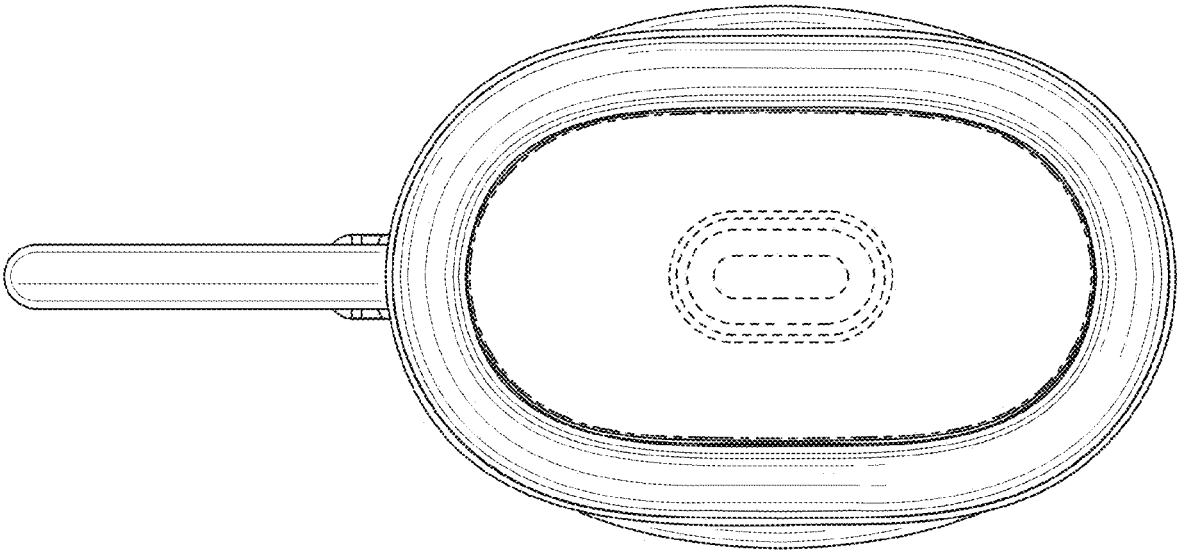


FIG. 19

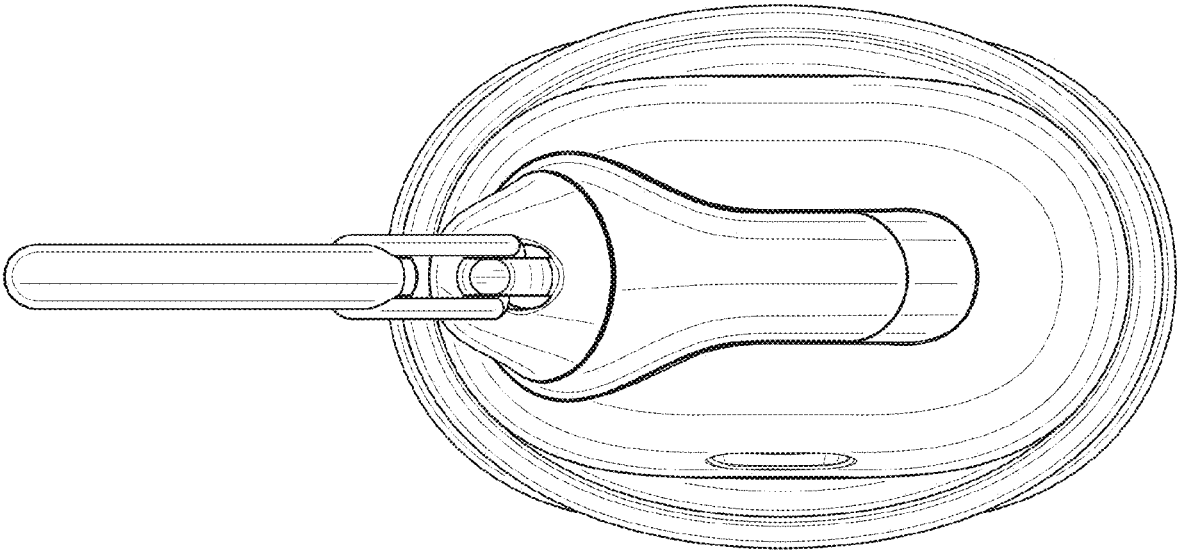


FIG. 20