



US00D869055S

(12) **United States Design Patent** (10) **Patent No.:** **US D869,055 S**
Anastassiades (45) **Date of Patent:** **** *Dec. 3, 2019**

(54) **TABLE LAMP**

(71) Applicant: **FLOS S.P.A.**, Bovezzo (IT)
(72) Inventor: **Michael Anastassiades**, Brescia (IT)
(73) Assignee: **FLOS S.p.A.**, Brescia (IT)
(*) Notice: This patent is subject to a terminal disclaimer.
(**) Term: **15 Years**

(21) Appl. No.: **35/505,175**

(22) Filed: **Jan. 30, 2018**

(80) **Hague Agreement Data**

Int. Filing Date: **Jan. 30, 2018**
Int. Reg. No.: **DM/101640**
Int. Reg. Date: **Jan. 30, 2018**
Int. Reg. Pub. Date: **Jun. 29, 2018**

(51) **LOC (12) Cl.** **26-05**

(52) **U.S. Cl.**
USPC **D26/93**

(58) **Field of Classification Search**
USPC D26/76, 78, 79, 80, 81, 82, 83, 85-90, D26/93, 111, 113, 118, 119, 120, 121, D26/122, 138, 139, 140, 141, 142, 152
CPC F21S 2/00; F21S 4/00; F21S 4/003; F21S 4/005; F21S 4/006; F21S 4/007; F21S 4/008; F21S 6/00; F21S 8/00; F21S 8/024; F21S 8/026; F21S 8/031; F21S 8/033; F21S 8/035-037; F21S 8/04; F21S 8/043; F21S 8/063

See application file for complete search history.

(56) **References Cited**

U.S. PATENT DOCUMENTS

D741,536	S	*	10/2015	Ellis	D26/110
D768,909	S	*	10/2016	Maier	D26/110
D779,705	S	*	2/2017	Starck	D26/93
D779,706	S	*	2/2017	Starck	D26/93
D790,108	S	*	6/2017	Starck	D26/93
D790,109	S	*	6/2017	Starck	D26/93
D790,748	S	*	6/2017	Starck	D26/93
D803,462	S	*	11/2017	Couckhuyt	D26/93
D805,677	S	*	12/2017	Starck	D26/93
D808,063	S	*	1/2018	Starck	D26/110
D825,094	S	*	8/2018	Hendifar	D26/106
D828,609	S	*	9/2018	Barber	D26/110
D833,190	S	*	11/2018	Handler	D6/692.3
D844,886	S	*	4/2019	Wright	D26/93

* cited by examiner

Primary Examiner — Natasha Vujcic

(74) *Attorney, Agent, or Firm* — Thomas|Horstemeyer, LLP

(57) **CLAIM**

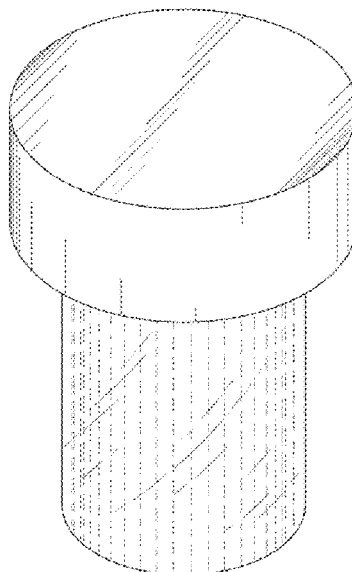
The ornamental design for a table lamp, as shown and described.

DESCRIPTION

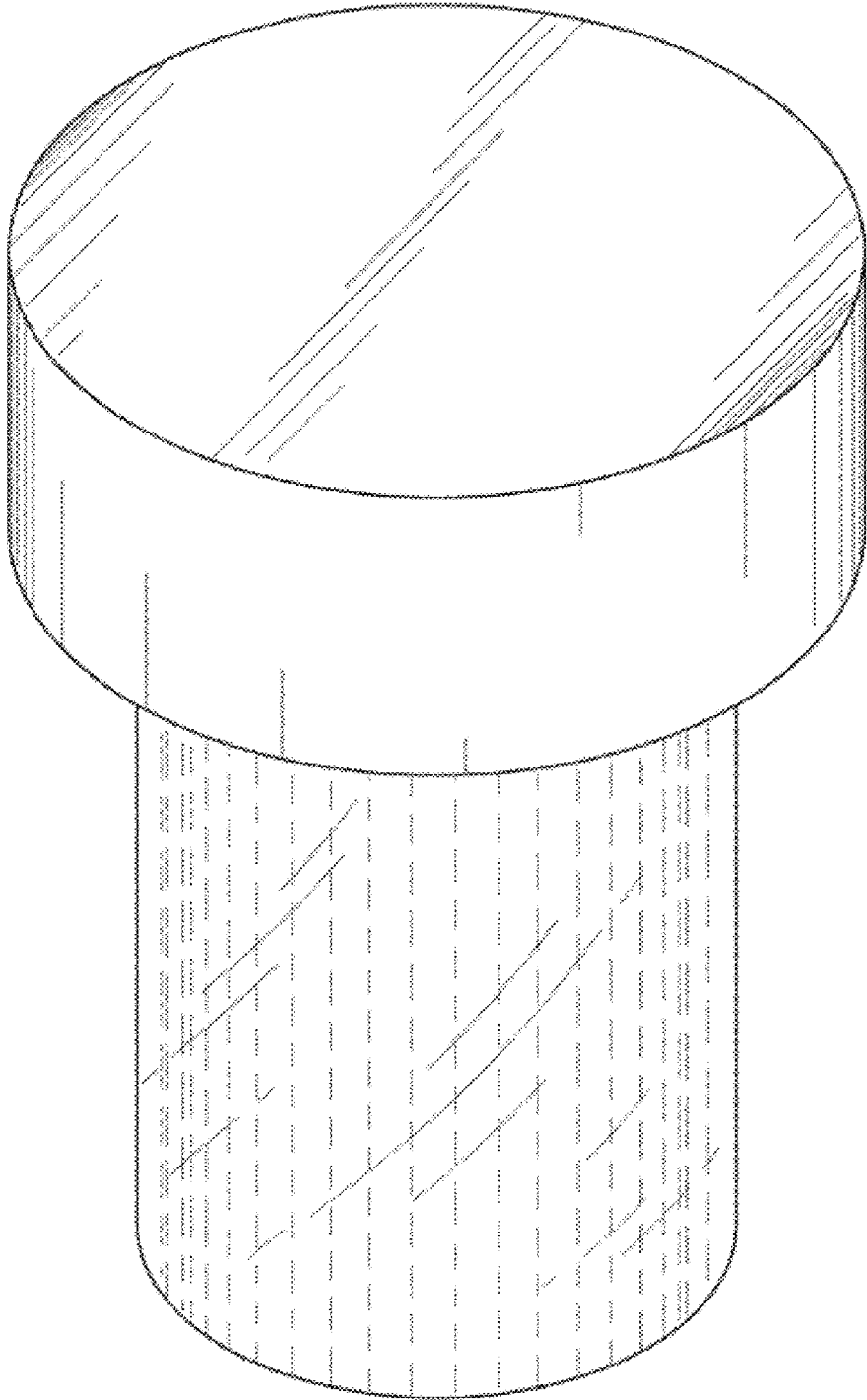
Table lamp

- 1.1** is a top perspective view of a table lamp;
- 1.2** is a bottom perspective view thereof;
- 1.3** is a side view thereof;
- 1.4** is a side view thereof;
- 1.5** is a side view thereof;
- 1.6** is side view thereof;
- 1.7** is a top view thereof; and
- 1.8** is a bottom view thereof.

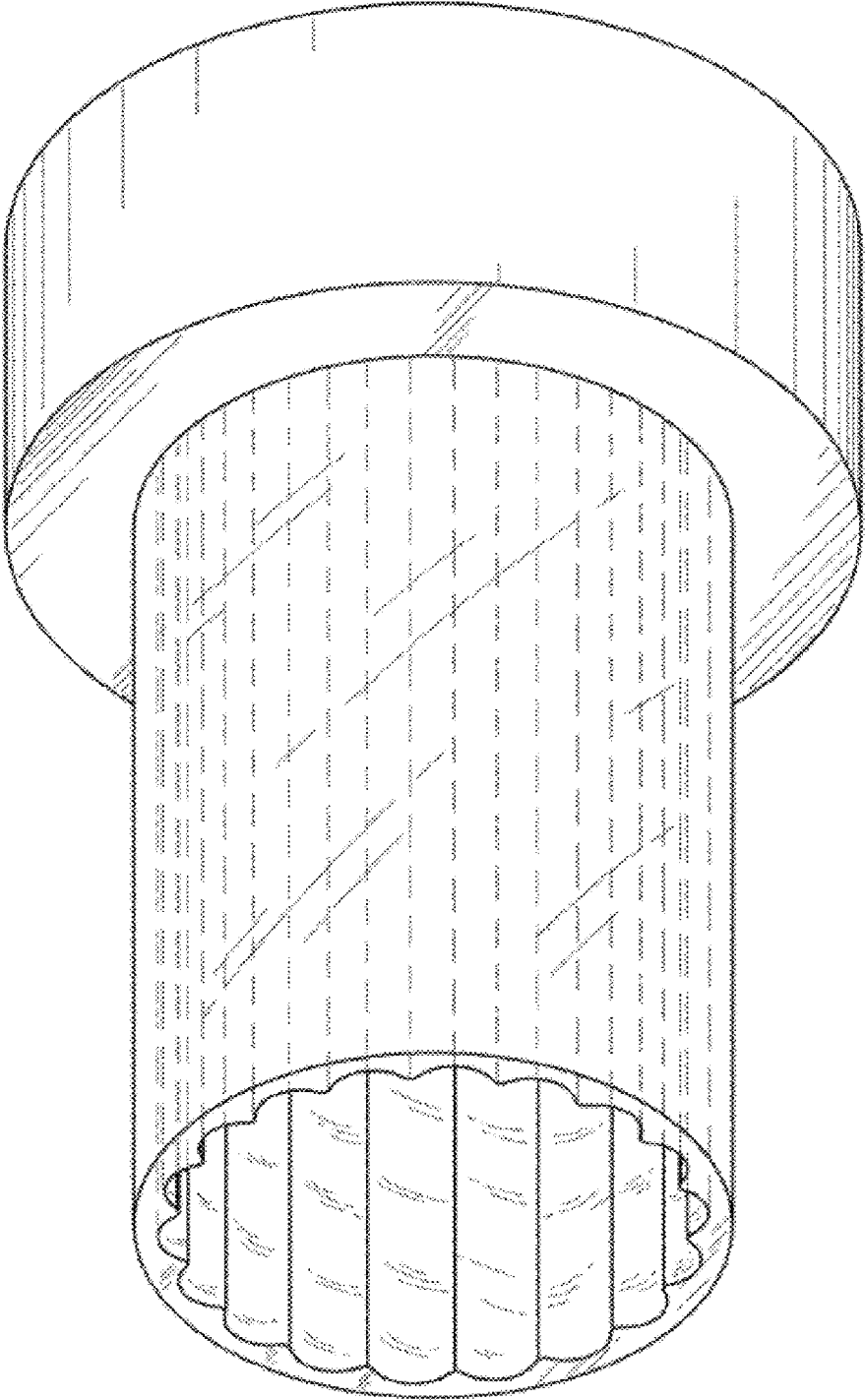
1 Claim, 8 Drawing Sheets



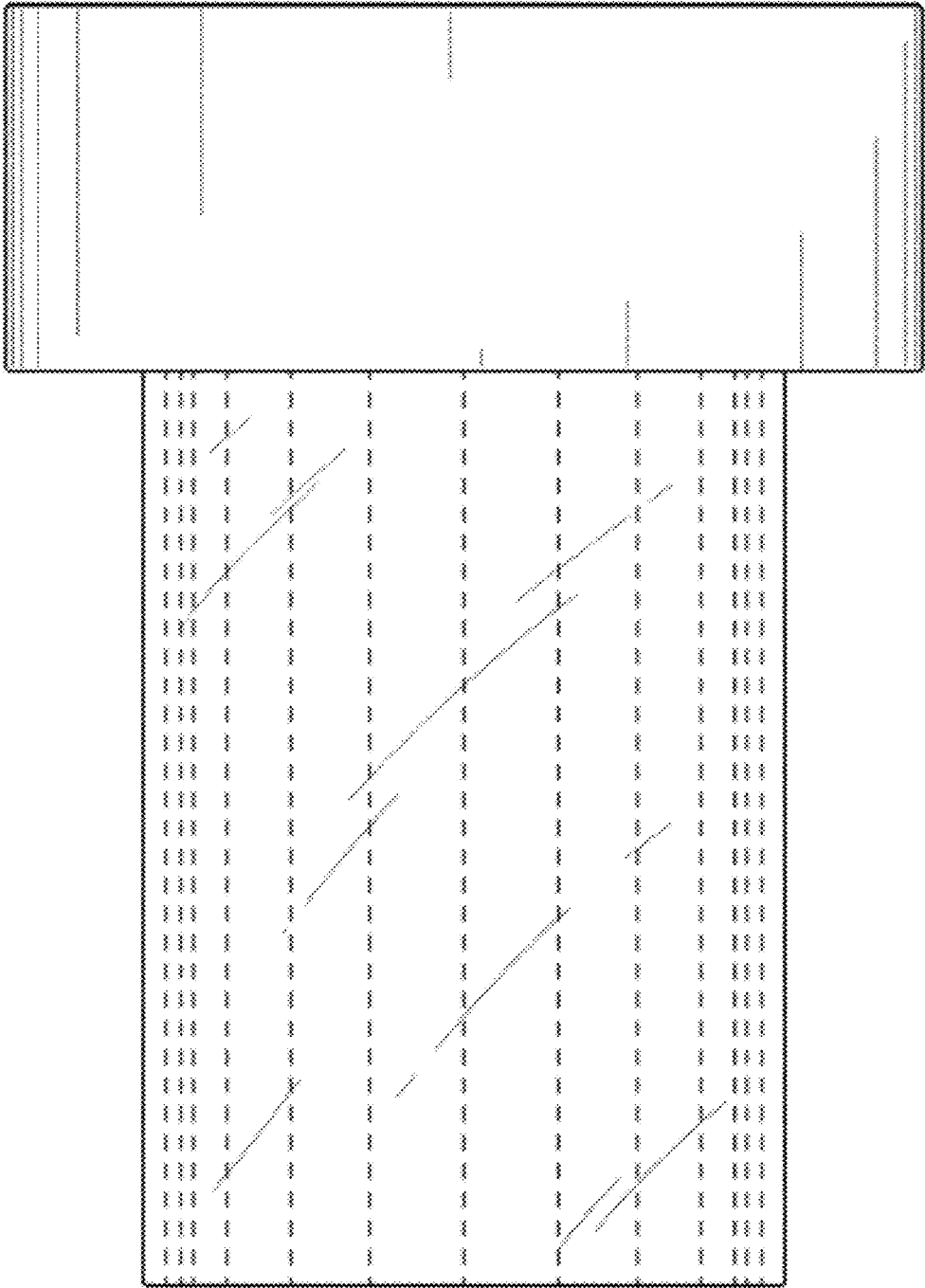
1.1



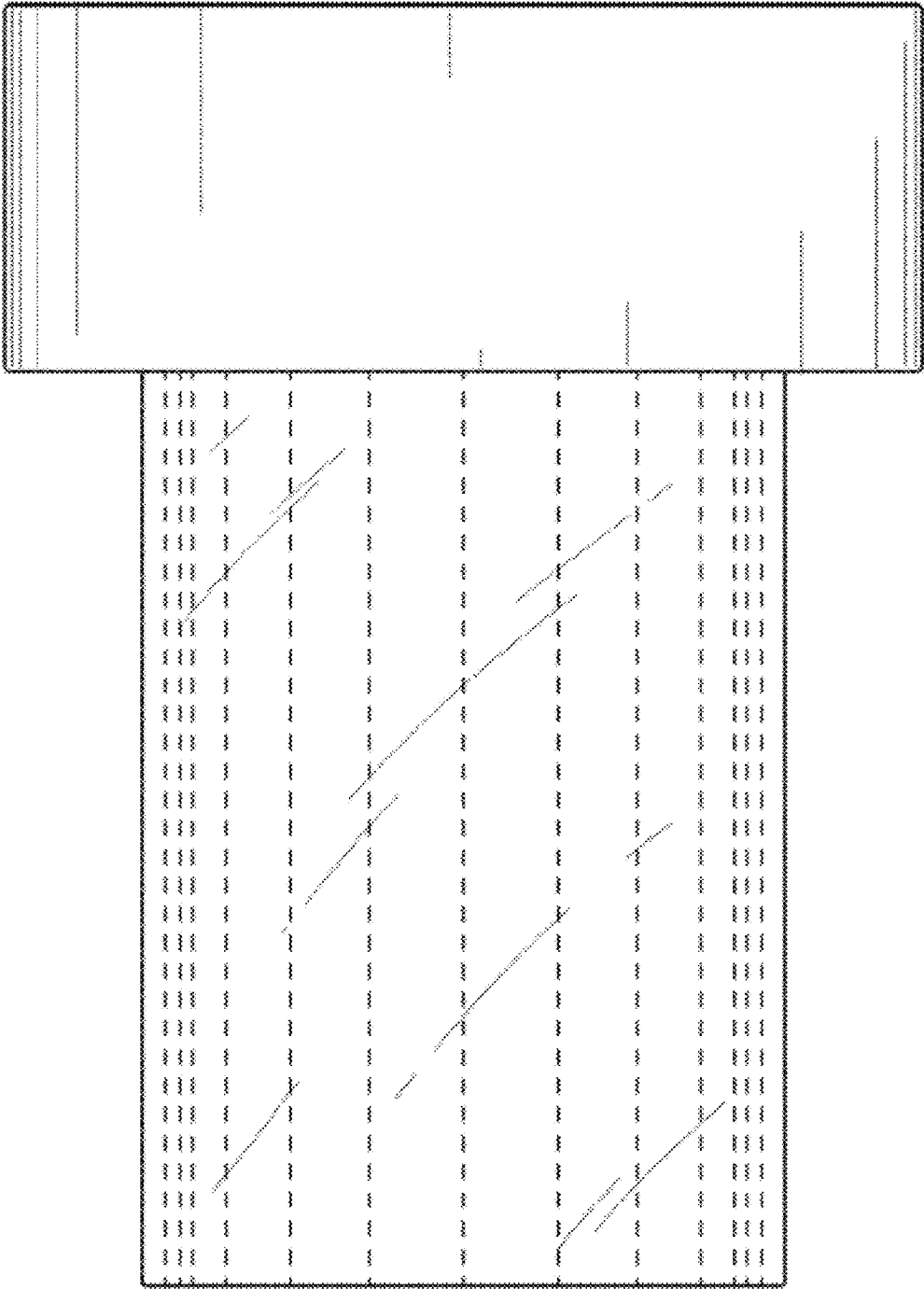
1.2



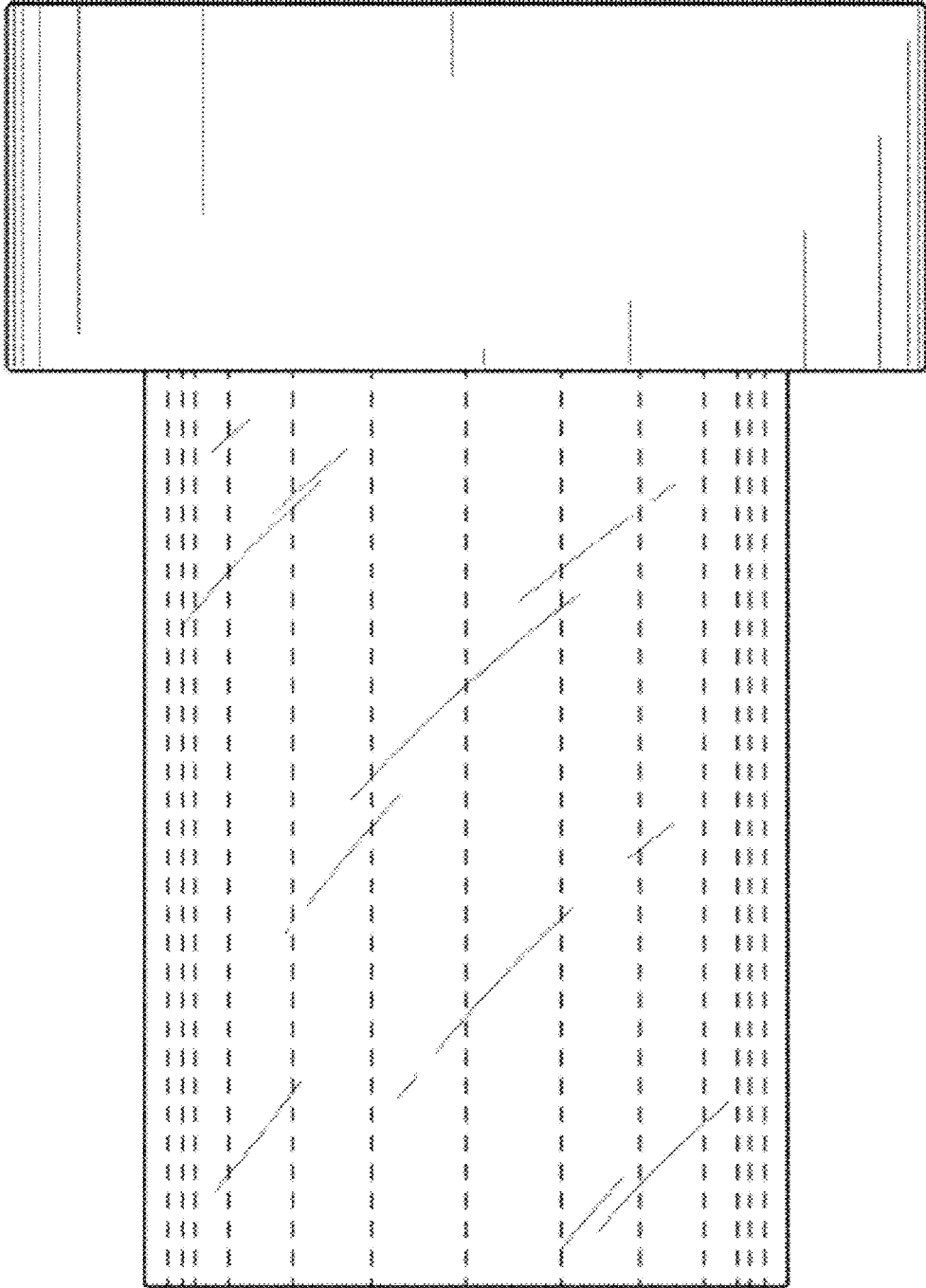
1.3



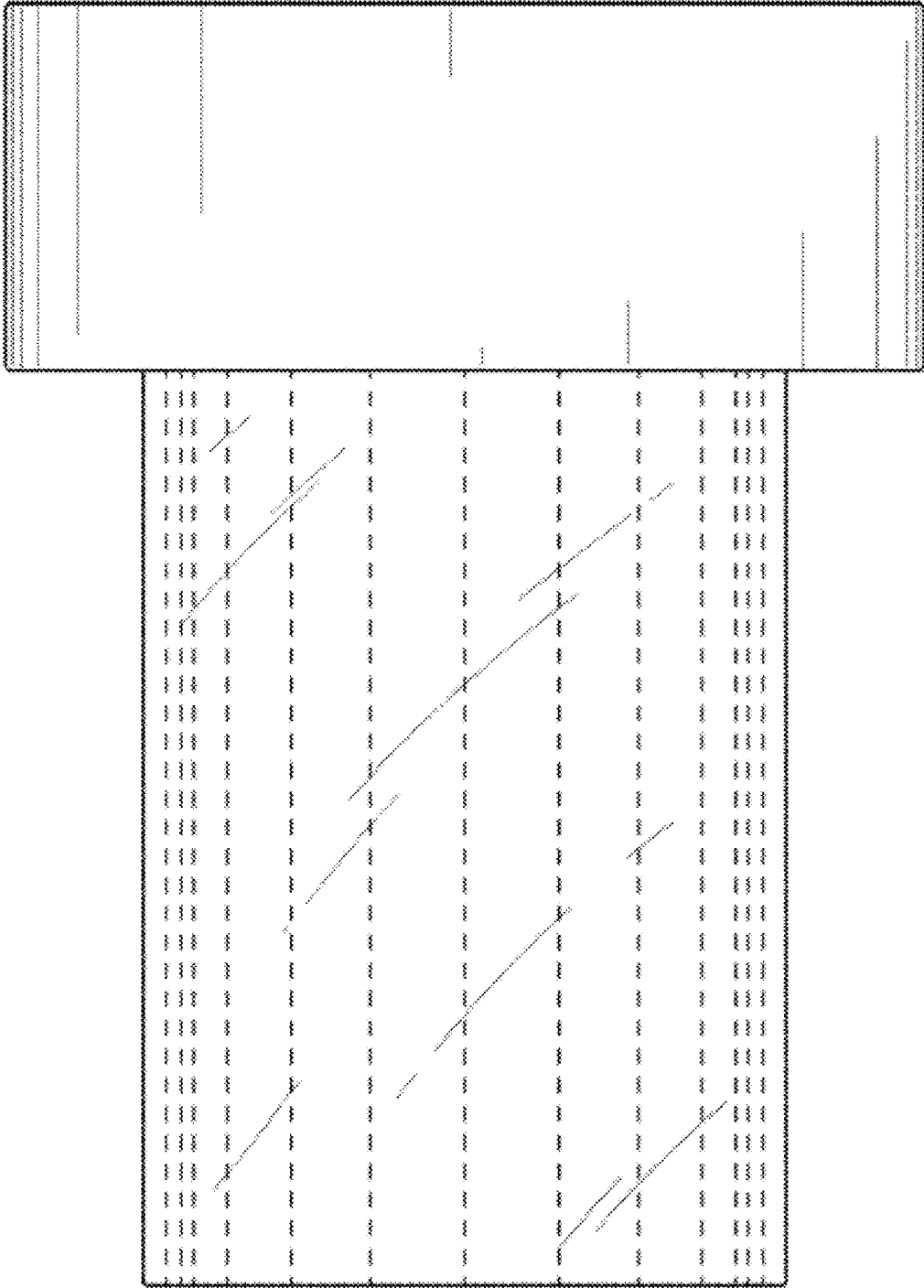
1.4



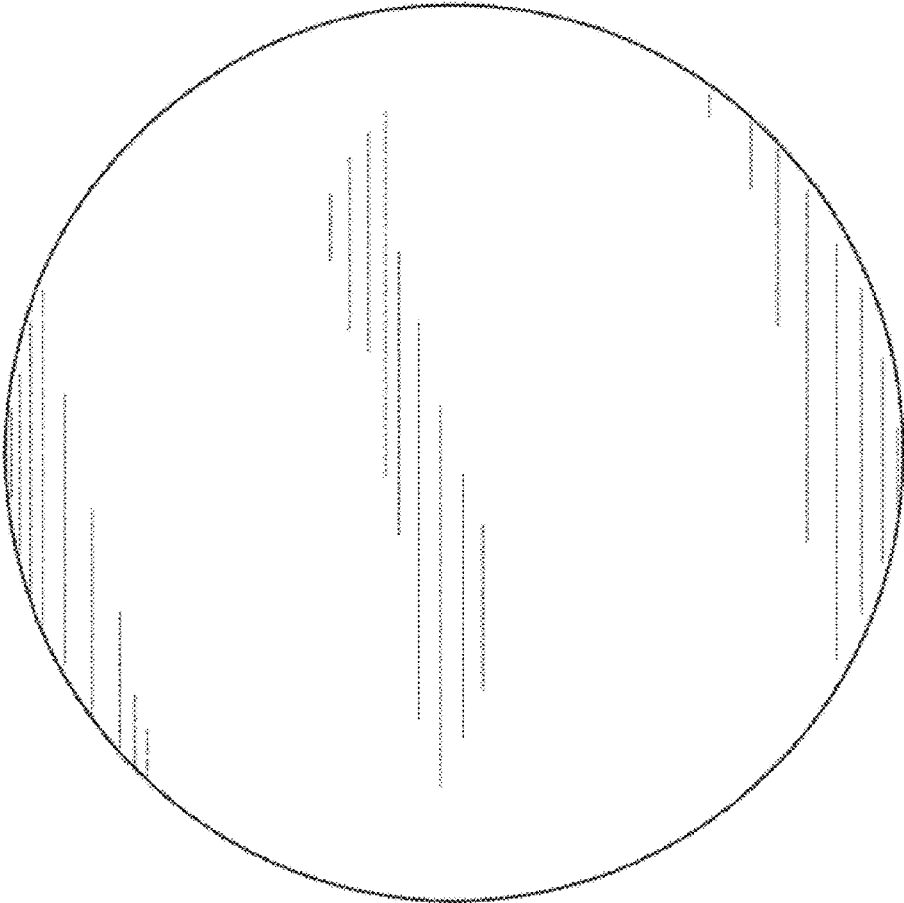
1.5



1.6



1.7



1.8

