

(19) World Intellectual Property Organization
International Bureau



(43) International Publication Date
5 October 2006 (05.10.2006)

PCT

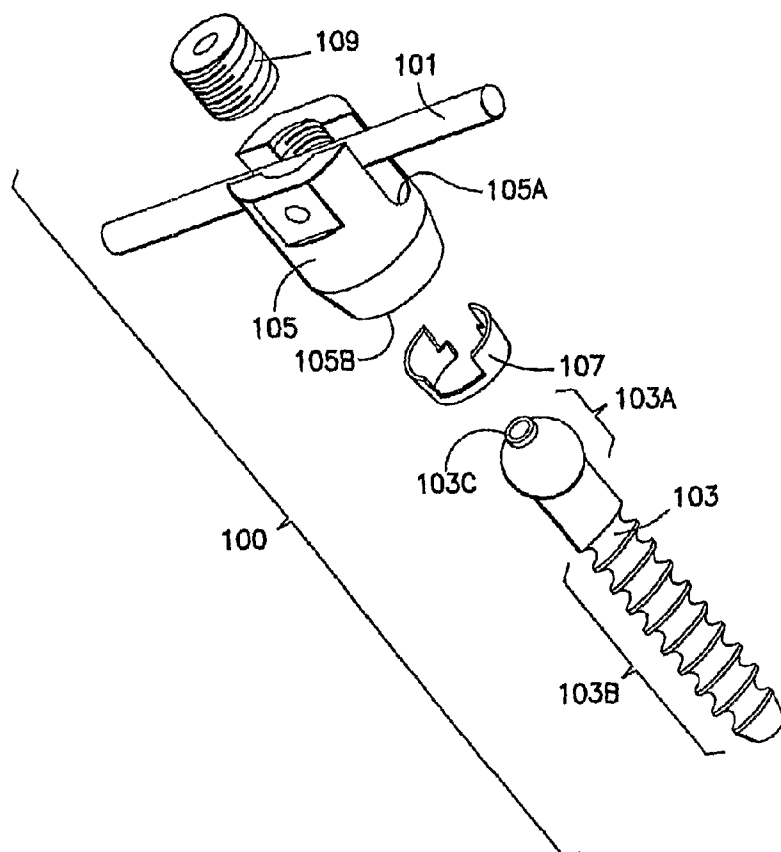
(10) International Publication Number
WO 2006/104874 A3

- (51) **International Patent Classification:**
A61B 17/56 (2006.01) A61F 2/30 (2006.01)
A61B 17/58 (2006.01)
- (21) **International Application Number:**
PCT/US2006/010738
- (22) **International Filing Date:** 24 March 2006 (24.03.2006)
- (25) **Filing Language:** English
- (26) **Publication Language:** English
- (30) **Priority Data:**
60/665,173 25 March 2005 (25.03.2005) US
- (71) **Applicant (for all designated States except US):** BLACK-
STONE MEDICAL, INC. [US/US]; 90 Brookdale Drive,
Springfield, Massachusetts 01104 (US).
- (72) **Inventors; and**
- (75) **Inventors/Applicants (for US only):** HAMMER,
Michael [US/US]; 3300 Rachel Terrace, Apt. 6, Prine
Brook, New Jersey 07058 (US). LOMBARDO, Alan
[US/US]; 14 Round Hill Road, Kinnelon, New Jersey
07470 (US).

- (74) **Agent:** GIACCIO, Anthony; Kenyon & Kenyon LLP,
One Broadway, New York, New York 10004-1007 (US).
- (81) **Designated States (unless otherwise indicated, for every
kind of national protection available):** AE, AG, AL, AM,
AT, AU, AZ, BA, BB, BG, BR, BW, BY, BZ, CA, CH, CN,
CO, CR, CU, CZ, DE, DK, DM, DZ, EC, EE, EG, ES, FI,
GB, GD, GE, GH, GM, HR, HU, ID, IL, IN, IS, JP, KE,
KG, KM, KN, KP, KR, KZ, LC, LK, LR, LS, LT, LU, LV,
LY, MA, MD, MG, MK, MN, MW, MX, MZ, NA, NG, NI,
NO, NZ, OM, PG, PH, PL, PT, RO, RU, SC, SD, SE, SG,
SK, SL, SM, SY, TJ, TM, TN, TR, TT, TZ, UA, UG, US,
UZ, VC, VN, YU, ZA, ZM, ZW.
- (84) **Designated States (unless otherwise indicated, for every
kind of regional protection available):** ARIPO (BW, GH,
GM, KE, LS, MW, MZ, NA, SD, SL, SZ, TZ, UG, ZM,
ZW), Eurasian (AM, AZ, BY, KG, KZ, MD, RU, TJ, TM),
European (AT, BE, BG, CH, CY, CZ, DE, DK, EE, ES, FI,
FR, GB, GR, HU, IE, IS, IT, LT, LU, LV, MC, NL, PL, PT,
RO, SE, SI, SK, TR), OAPI (BF, BJ, CF, CG, CI, CM, GA,
GN, GQ, GW, ML, MR, NE, SN, TD, TG).

[Continued on next page]

(54) **Title:** MULTI-AXIAL CONNECTION SYSTEM



(57) **Abstract:** In one embodiment of the present invention a system for connecting a fastener element (e.g., a pedicle screw) relative to a rod for the purposes of vertebral fixation is provided. The system may permit multi-axial movement between the fastener element and the rod. Further, the system may permit the angular relationship between the fastener element and the rod to be held in a desired orientation. For the purposes of describing and claiming the present invention, the term "rod" is intended to refer to any elongated structure. Such an elongated structure may be solid or hollow and may have any desired cross-section (e.g., circular, oval, square, rectangular). Further, for the purposes of describing and claiming the present invention, the term "interference fit" is intended to refer to physical contact between two or more components.

WO 2006/104874 A3



Published:

- with international search report
- before the expiration of the time limit for amending the claims and to be republished in the event of receipt of amendments

For two-letter codes and other abbreviations, refer to the "Guidance Notes on Codes and Abbreviations" appearing at the beginning of each regular issue of the PCT Gazette.

(88) Date of publication of the international search report:

11 October 2007

INTERNATIONAL SEARCH REPORT

International application No.

PCT/US 06/10738

A. CLASSIFICATION OF SUBJECT MATTER IPC: A61B 17/56; A61B 17/58, A61F 2/30 (2007.01) USPC: 606/61 According to International Patent Classification (IPC) or to both national classification and IPC		
B. FIELDS SEARCHED Minimum documentation searched (classification system followed by classification symbols) USPC: 606/60-61 Documentation searched other than minimum documentation to the extent that such documents are included in the fields searched USPC: all classes (text search--see terms below) Electronic data base consulted during the international search (name of data base and, where practicable, search terms used) PubWEST (PGPB, USPT, EPAB, JPAB), DialogPRO (Engineering, Patent), Google Scholar Keywords: Spinal, vertebrae, fixation, bone screw, cannula, rod, connection system, lateral offset, screw head, chamber, compartment, method, insertion		
C. DOCUMENTS CONSIDERED TO BE RELEVANT		
Category*	Citation of document, with indication, where appropriate, of the relevant passages	Relevant to claim No.
Y	US 6,436,100 B1 (BERGER) 20 August 2002 (20.08.2002) col. 1 lines 31-43	18
Y	US 6,613,050 B1 (WAGNER et al.) 03 September 2003 (03.09.2003) col. 3 lines 50-53, col. 8 lines 55-58, col. 12 lines 32-43	1-24
Y	US 2004/0102781 A1 (JEON) 27 May 2004 (27.05.2004) entire patent, esp. para [0013, 0050], Fig. 3-5, 7-9	1-24
<input type="checkbox"/> Further documents are listed in the continuation of Box C. <input type="checkbox"/>		
* Special categories of cited documents: "A" document defining the general state of the art which is not considered to be of particular relevance "E" earlier application or patent but published on or after the international filing date "L" document which may throw doubts on priority claim(s) or which is cited to establish the publication date of another citation or other special reason (as specified) "O" document referring to an oral disclosure, use, exhibition or other means "P" document published prior to the international filing date but later than the priority date claimed "T" later document published after the international filing date or priority date and not in conflict with the application but cited to understand the principle or theory underlying the invention "X" document of particular relevance; the claimed invention cannot be considered novel or cannot be considered to involve an inventive step when the document is taken alone "Y" document of particular relevance; the claimed invention cannot be considered to involve an inventive step when the document is combined with one or more other such documents, such combination being obvious to a person skilled in the art "&" document member of the same patent family		
Date of the actual completion of the international search 02 July 2007 (2007.07.02)		Date of mailing of the international search report 17 AUG 2007
Name and mailing address of the ISA/US Mail Stop PCT, Attn: ISA/US, Commissioner for Patents P.O. Box 1450, Alexandria, Virginia 22313-1450 Facsimile No. 571-273-3201		Authorized officer: Lee W. Young PCT Helpdesk: 571-272-4300 PCT OSP: 571-272-7774