



US00D662504S

(12) **United States Design Patent**  
**Lohman**

(10) **Patent No.:** **US D662,504 S**

(45) **Date of Patent:** **\*\* Jun. 26, 2012**

(54) **CASE FOR ELECTRONIC EQUIPMENT**

(75) Inventor: **Bertil Lohman**, Sollentuna (SE)

(73) Assignee: **Clamco Invest AB**, Sollentuna (SE)

(\*\*) Term: **14 Years**

(21) Appl. No.: **29/407,539**

(22) Filed: **Nov. 30, 2011**

**Related U.S. Application Data**

(62) Division of application No. 29/360,361, filed on Apr. 23, 2010.

**Foreign Application Priority Data**

Oct. 23, 2009 (EM) ..... 001627779

(51) **LOC (9) Cl.** ..... **14-02**

(52) **U.S. Cl.** ..... **D14/441; D14/432**

(58) **Field of Classification Search** ..... D14/300,  
D14/301, 308, 311, 313, 432, 433, 439, 441-446,  
D14/299; 312/294, 297, 317.1, 223.1-223.3;  
361/679.02, 679.57, 697.58, 724-726, 807;  
174/51, 350, 354, 375, 377

See application file for complete search history.

(56) **References Cited**

**U.S. PATENT DOCUMENTS**

D334,185	S	*	3/1993	Lam	.....	D14/442
D371,776	S	*	7/1996	Yang	.....	D14/442
D402,286	S	*	12/1998	Poole et al.	.....	D14/441
D417,865	S	*	12/1999	Wilson et al.	.....	D14/441
D447,484	S	*	9/2001	Reznikov et al.	.....	D14/441
6,288,892	B1	*	9/2001	Lanz et al.	.....	361/679.58
D474,180	S	*	5/2003	Searby et al.	.....	D14/313
D480,078	S	*	9/2003	Searby et al.	.....	D14/313
D480,086	S	*	9/2003	Searby et al.	.....	D14/444

6,628,518	B2	*	9/2003	Behl et al.	.....	361/679.47
D483,378	S	*	12/2003	Mundt	.....	D14/440
D486,494	S	*	2/2004	Gundogan et al.	.....	D14/444
D490,083	S	*	5/2004	Wu	.....	D14/439
6,863,188	B2	*	3/2005	Besserer et al.	.....	211/183
D509,199	S	*	9/2005	Haase et al.	.....	D14/137
D525,969	S	*	8/2006	Sugihara et al.	.....	D14/301
D532,781	S	*	11/2006	Ohno	.....	D14/300
D561,766	S	*	2/2008	Deng	.....	D14/442
D569,865	S	*	5/2008	Ambrose et al.	.....	D14/356
D570,351	S	*	6/2008	Matityahu et al.	.....	D14/441
D588,136	S	*	3/2009	Kawase et al.	.....	D14/444
D588,137	S	*	3/2009	Lawrence et al.	.....	D14/444
D588,601	S	*	3/2009	Wang et al.	.....	D14/445
D589,047	S	*	3/2009	Kawase et al.	.....	D14/441
D593,565	S	*	6/2009	Dearborn et al.	.....	D14/445
D627,772	S	*	11/2010	Wang et al.	.....	D14/313

(Continued)

**FOREIGN PATENT DOCUMENTS**

WO WO2011049527 \* 4/2011

*Primary Examiner* — Deanna L Fluegeman

(74) *Attorney, Agent, or Firm* — Young & Thompson

(57) **CLAIM**

The ornamental design for a case for electronic equipment, as shown.

**DESCRIPTION**

FIG. 1 is a front elevation view of a case for electronic equipment showing my new design;

FIG. 2 is a bottom plan view thereof;

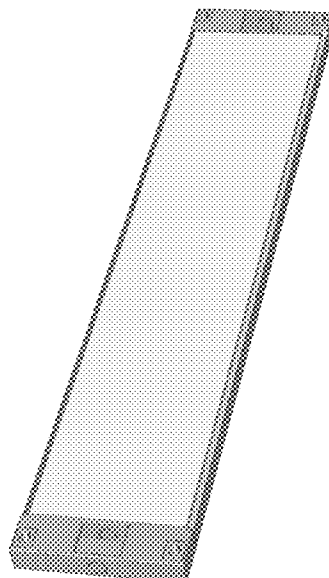
FIG. 3 is a top plan view thereof;

FIG. 4 is a front, bottom, right side perspective view thereof; and,

FIG. 5 is a front, top, left side perspective view thereof.

The tonal shading in the drawings is included for the purpose of illustrating the surface contours of the claimed design and forms no part thereof.

**1 Claim, 5 Drawing Sheets**



# US D662,504 S

Page 2

---

## U.S. PATENT DOCUMENTS

D629,807	S	*	12/2010	Vaughan	.....	D14/446	2008/0314611	A1*	12/2008	Beck	.....	174/51
D631,480	S	*	1/2011	Vaughan	.....	D14/446	2009/0136194	A1*	5/2009	Barnes	.....	385/135
2004/0036388	A1*		2/2004	Liljevik et al.	.....	312/257.1	2011/0175501	A1*	7/2011	Peng et al.	.....	312/223.1
2004/0228083	A1*		11/2004	Wang et al.	.....	361/683						

\* cited by examiner

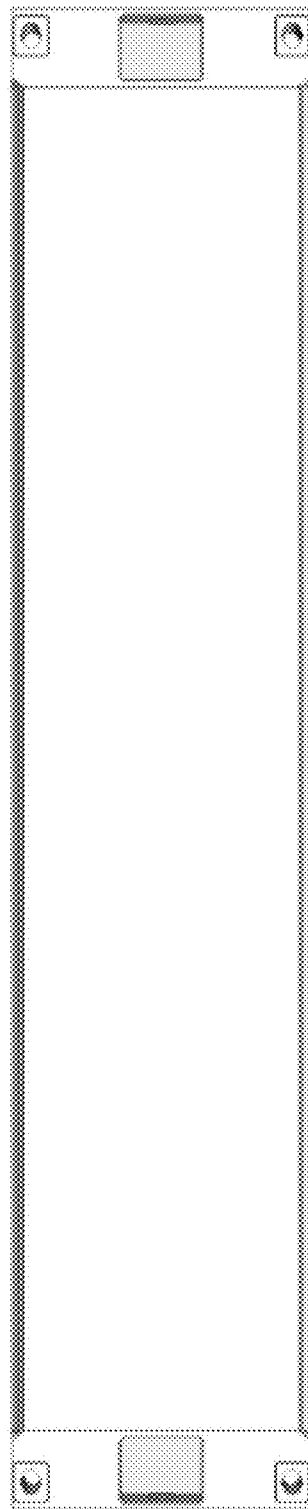


Figure 1

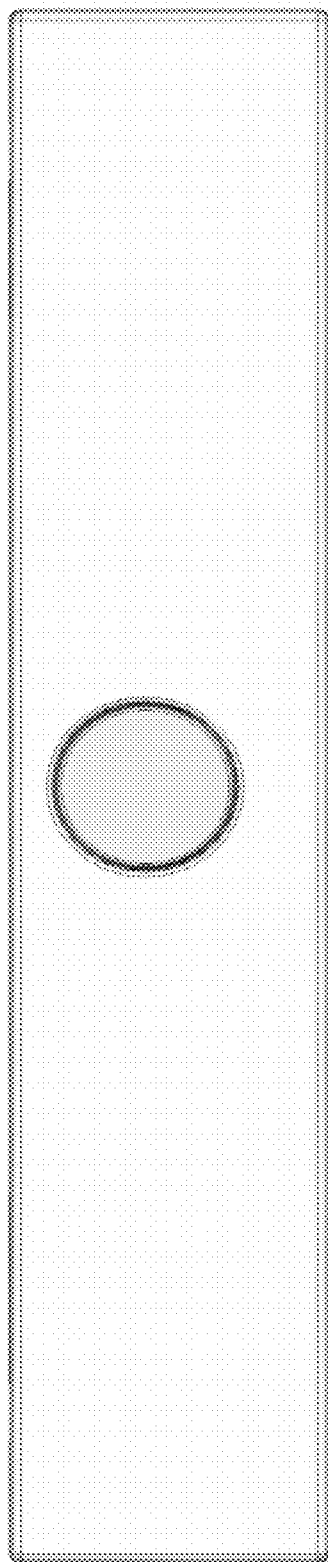


Figure 2

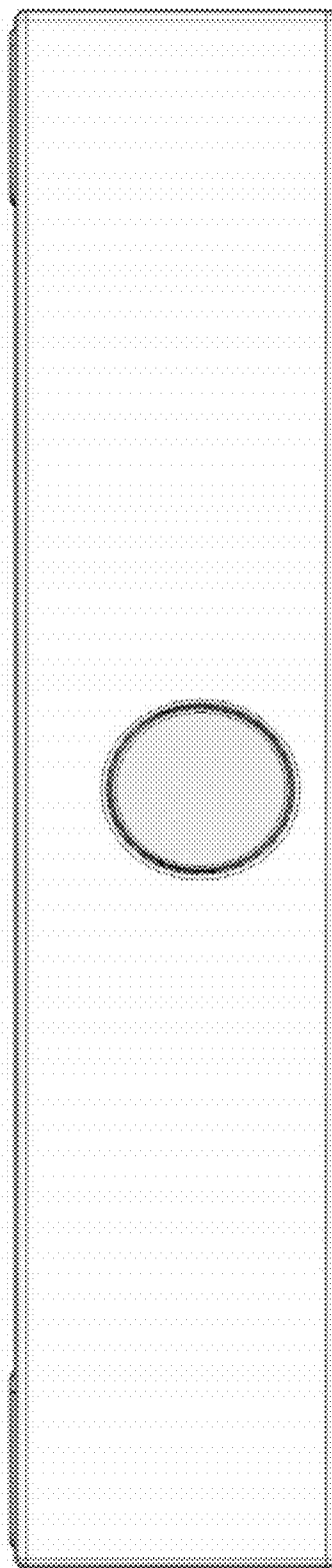


Figure 3

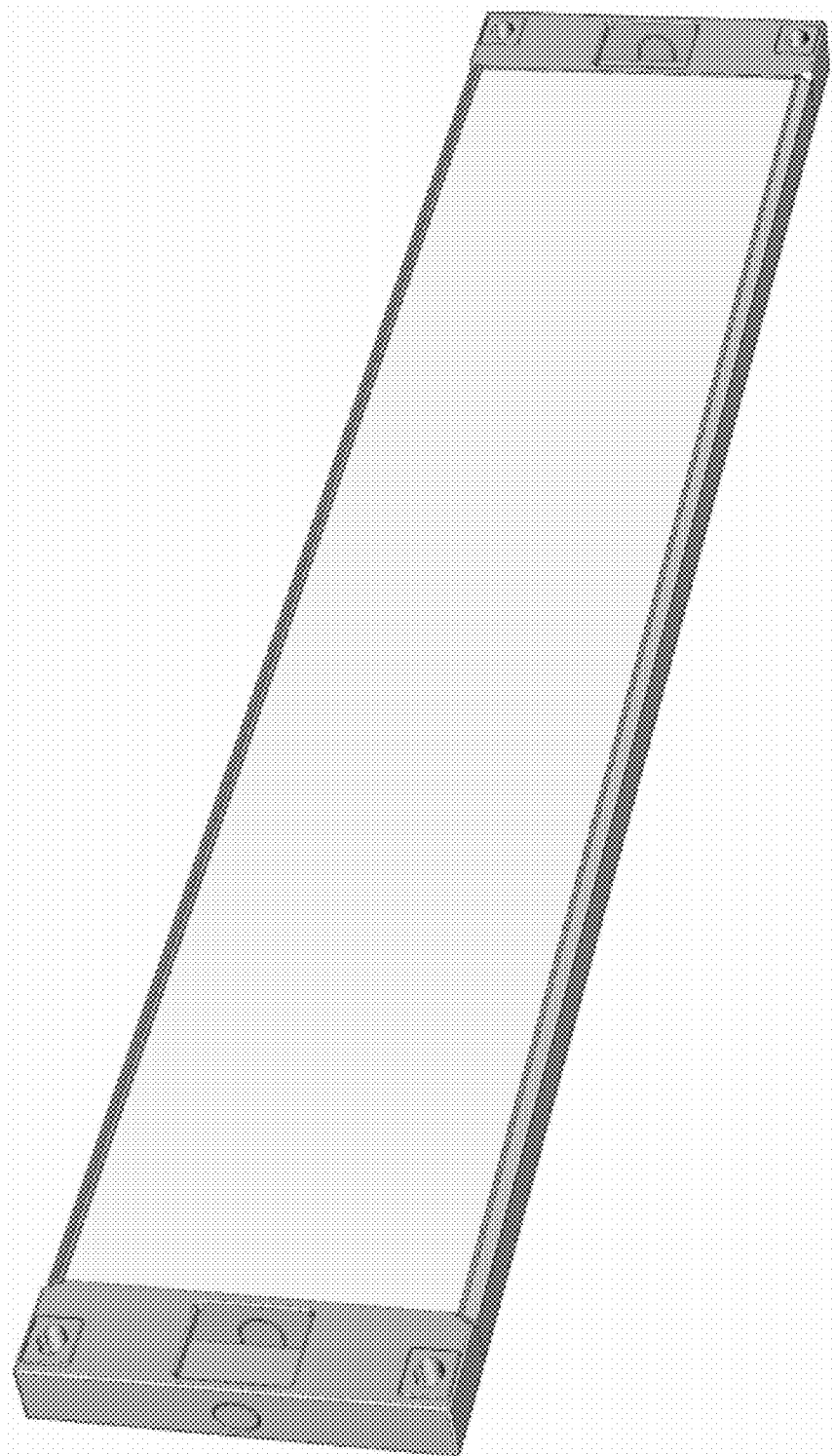


Figure 4

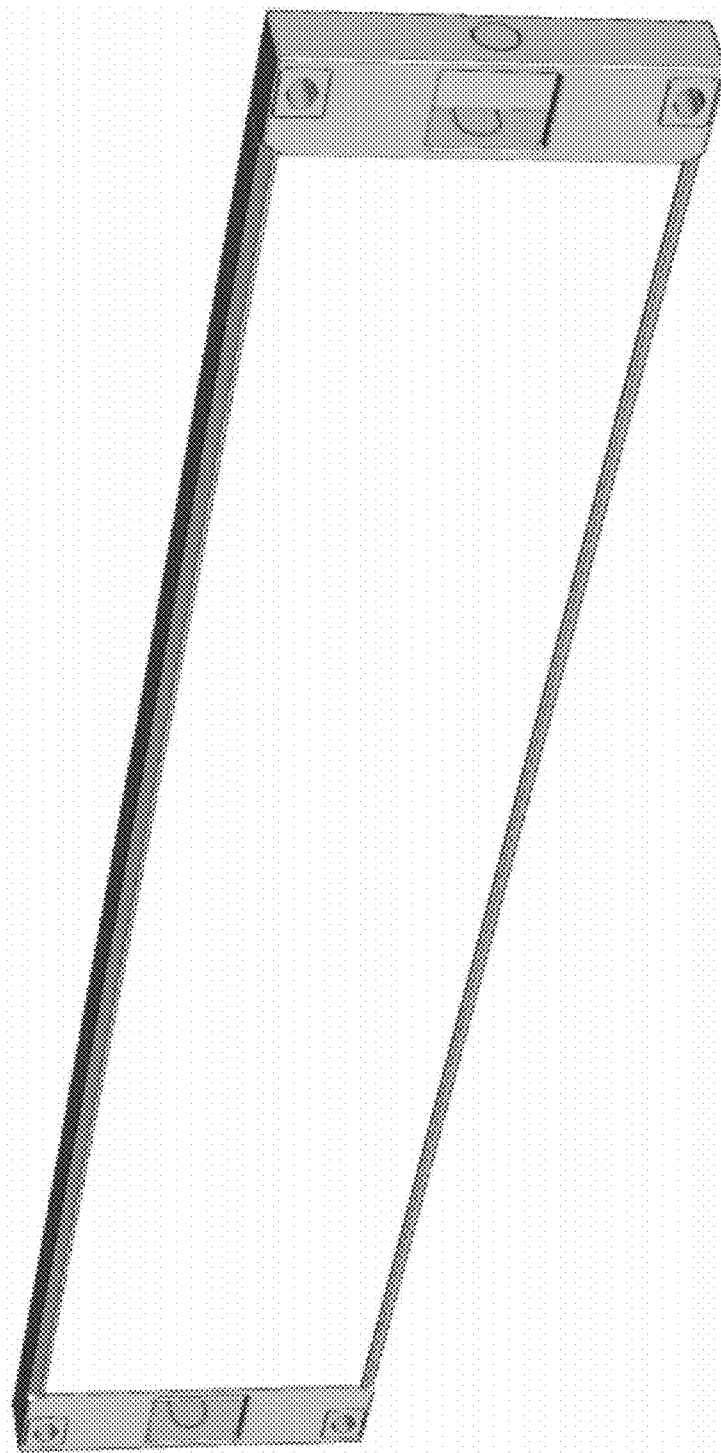


Figure 5