



US00D904346S

(12) **United States Design Patent**  
**Wright et al.**

(10) **Patent No.:** **US D904,346 S**  
(45) **Date of Patent:** **\*\* Dec. 8, 2020**

- (54) **SLEEVE FOR ELECTRONIC DEVICE**
- (71) Applicant: **CATALYST LIFESTYLE LIMITED,**  
North Point (HK)
- (72) Inventors: **Joshua Wright,** Hong Kong (CN);  
**June Lai,** Hong Kong (CN)
- (73) Assignee: **Catalyst Lifestyle Limited,** North Point  
(HK)
- (\*\*) Term: **15 Years**
- (21) Appl. No.: **29/665,172**
- (22) Filed: **Oct. 1, 2018**
- (30) **Foreign Application Priority Data**

Apr. 18, 2018 (CN) ..... 2018 3 0159874

(51) **LOC (12) Cl.** ..... **14-03**

(52) **U.S. Cl.**  
USPC ..... **D14/217**

(58) **Field of Classification Search**  
USPC ..... D14/217, 257, 258, 434, 496, 162, 167,  
D14/175, 188, 196-198; D2/627-640;  
D8/44, 71-74, 313, 314, 321, 354-356,  
D8/382, 384, 394-398; D13/158, 162,  
D13/170, 171, 173

CPC .... H04R 3/00; H04R 2499/11; H04R 1/1091;  
H04R 1/406; H04R 2420/07; H04R  
27/00; H04R 29/004; H04R 3/005; H04R  
5/04; H04R 1/02; H04R 1/10; H04R  
1/1016; H04R 1/1041; H04R 1/1083;  
H04R 2201/021; H04R 2201/107; H04R  
2201/40; H04R 2201/401; H04R  
2201/405; H04R 2227/003; H04R  
2410/05; H04R 2410/07; H04R 2420/01;  
H04R 2420/09; H04R 2430/01; H04R  
2430/03; H04R 2460/01; H04R 2460/09

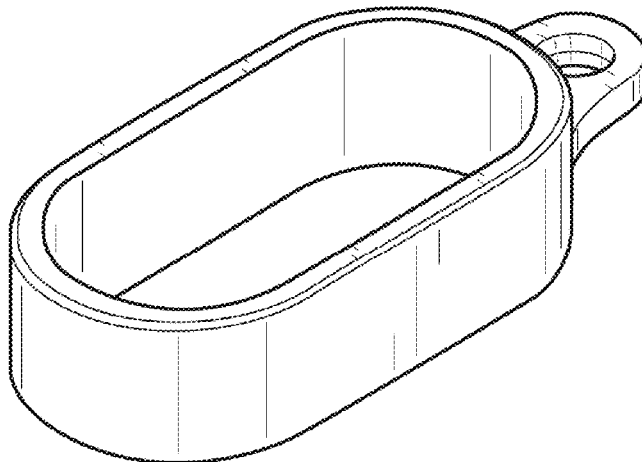
See application file for complete search history.

(56) **References Cited**

**U.S. PATENT DOCUMENTS**

D239,160 S 3/1976 Giberstein  
D310,480 S 9/1990 Geiger  
D317,407 S 6/1991 Gray et al.

D322,752 S	12/1991	Zintzmeyer
D323,292 S	1/1992	Jones
D348,268 S	6/1994	Chambers
D357,919 S	5/1995	Tsui
D362,542 S	9/1995	Richards et al.
D375,197 S	11/1996	Laherty
5,740,624 A	4/1998	Baseley
D399,604 S	10/1998	Wolf
D405,256 S	2/1999	Chacon et al.
D420,006 S	2/2000	Tonino
D423,509 S	4/2000	Park
6,068,119 A	5/2000	Derr et al.
D426,950 S	6/2000	Conway
D427,424 S	7/2000	Conway
D427,583 S	7/2000	Kazama
6,305,538 B1	10/2001	Jackson
D450,313 S	11/2001	Koinuma
D467,799 S	12/2002	Persson
D468,296 S	1/2003	Graceffa
D475,282 S	6/2003	Snaith et al.
D475,696 S	6/2003	Hussaini et al.
6,659,274 B2	12/2003	Enners
D493,257 S	7/2004	McCorkindale
D493,576 S	7/2004	Ward
D496,031 S	9/2004	Ma et al.
6,817,470 B1	11/2004	Goldberg
D528,012 S	9/2006	Snyder
D531,618 S	11/2006	Kenemer et al.
D542,664 S	5/2007	Mayers
D548,970 S	8/2007	Huang
D553,077 S	10/2007	Kim et al.
D556,571 S	12/2007	Jalet
7,347,325 B2	3/2008	O'Neill et al.
D566,484 S	4/2008	George
D572,206 S	7/2008	Ikeda et al.
D586,557 S	2/2009	Jalet
D592,400 S	5/2009	Nelson
D594,659 S	6/2009	Lown et al.
D595,952 S *	7/2009	Nussberger ..... D3/215
D596,393 S	7/2009	Leung et al.
D599,546 S	9/2009	Lown et al.
D600,913 S	9/2009	Kalbach
7,584,841 B2	9/2009	Chan et al.
D601,366 S	10/2009	Barabas et al.
D604,501 S	11/2009	Lee
D605,175 S	12/2009	Maruska et al.
D606,307 S	12/2009	Gauss
D614,402 S	4/2010	Lown et al.
D618,229 S	6/2010	de Jong et al.
7,775,354 B2	8/2010	Latchford et al.
D627,675 S *	11/2010	Graham ..... D11/79
7,855,529 B2	12/2010	Liu
D637,647 S	5/2011	Allison et al.



D666,821 S	9/2012	Phillips et al.	
D666,824 S	9/2012	Phillips et al.	
D666,826 S	9/2012	Phillips et al.	
D670,497 S	11/2012	Phillips et al.	
D672,642 S	12/2012	Supranowicz	
D674,688 S	1/2013	Loftin et al.	
8,399,764 B2	3/2013	Klosky	
D681,613 S	5/2013	Magness et al.	
D683,136 S	5/2013	Wilson et al.	
D692,664 S	11/2013	Rashid	
8,644,011 B2	2/2014	Parkinson	
D707,041 S *	6/2014	Park .....	D3/215
D708,784 S	7/2014	Kim	
D709,869 S	7/2014	Witter et al.	
D718,750 S	12/2014	Young et al.	
D720,096 S	12/2014	McDougall	
8,961,015 B1	2/2015	Bihn	
D731,178 S *	6/2015	Gorouvein .....	D3/265
D732,681 S	6/2015	Matsuura	
D733,696 S	7/2015	Burgett et al.	
9,090,385 B2	7/2015	Blagojevic	
D766,905 S	9/2016	Lee	
D768,605 S	10/2016	Wong et al.	
D769,879 S	10/2016	Kim	
D775,818 S *	1/2017	Ingraham .....	D3/218
D780,740 S	3/2017	Kim	
D794,617 S	8/2017	Wright et al.	
D794,618 S	8/2017	Wright et al.	
9,733,054 B2	8/2017	Blagojevic	
D805,502 S	12/2017	Zhuang	
D806,082 S	12/2017	Armstrong et al.	
D806,388 S	1/2018	Akana et al.	
D808,791 S	1/2018	Johnston et al.	
D818,268 S	5/2018	Akana et al.	
D826,152 S	8/2018	Christiansen	
D836,478 S	12/2018	Wright et al.	
D838,265 S	1/2019	Wright et al.	
D841,580 S	2/2019	Bao	
D841,581 S	2/2019	Bonahoom et al.	
D846,264 S	4/2019	Wu	
D847,807 S	5/2019	Wright et al.	
D848,013 S	5/2019	Fuhner et al.	
D849,401 S	5/2019	Akana et al.	
D852,372 S	6/2019	Fuhner et al.	
D853,357 S	7/2019	Li	
D856,310 S	8/2019	Lu	
D864,971 S	10/2019	Lee et al.	
D869,675 S	12/2019	Hitscherich et al.	
D872,723 S	1/2020	Lee et al.	
D872,724 S	1/2020	Lee et al.	
D881,181 S	4/2020	Wright et al.	
D881,566 S	4/2020	Lee et al.	
D881,867 S	4/2020	Lee et al.	
D886,453 S	6/2020	Wright et al.	
D887,401 S *	6/2020	Wright .....	D14/250
D888,036 S *	6/2020	Wright .....	D14/250
D891,771 S *	8/2020	Lee .....	D3/269
D892,499 S *	8/2020	Wright .....	D3/303
2007/0261978 A1	11/2007	Sanderson	
2011/0017620 A1	1/2011	Latchford et al.	
2015/0014367 A1	1/2015	VanSyckel	
2015/0195938 A1	7/2015	Witter et al.	
2016/0240945 A1	8/2016	Lee et al.	
2018/0064224 A1	3/2018	Brzezinski et al.	

FOREIGN PATENT DOCUMENTS

CN	201730058328.X	8/2017
CN	201730021643.9	10/2017
CN	201730139442.9	10/2017
CN	201730056338.3	11/2017
CN	201730115524.X	11/2017
CN	201730216831.7	11/2017
CN	206744792 U	12/2017
CN	201730208864.7	12/2017

CN	201730315510.2	2/2018
CN	201730444575.7	2/2018
CN	304983166 S	1/2019
CN	208581338 U	3/2019
CN	208939608 U	6/2019
DE	202018105634 U1	12/2018
KR	20130028536 A	3/2013
KR	200488427 Y1	1/2019

OTHER PUBLICATIONS

Office Action dated Jun. 24, 2020 pertaining to Design U.S. Appl. No. 29/677,855, filed Jan. 24, 2019, 28 pgs.  
 “This AirPods accessory is strangely awesome,” Catalyst AirPods Case pictured therein. CNET online, post date Apr. 7, 2017, URL: <https://www.cnet.com/news/coming-soon-a-waterproof-case-for-your-airpods-case/>, retrieved Nov. 19, 2019, 2 pages.  
 “This glow-in-the-dark, waterproof AirPods case is great . . . .” Catalyst AirPods Cases pictured therein, The Verge online, post date Apr. 14, 2017, URL: <https://www.theverge.com/circuitbreaker/2017/4/14/15306100/catalyst-case-airpods-sale-glow-in-the-dark>, retrieved Nov. 19, 2019, 2 pages.  
 Kim1991tae. “AirPod Case Catalyst.” Naver, Aug. 9, 2017. Web. <https://blog.naver.com/kim1991tae/221070237784>.  
 Office Action dated May 7, 2020 pertaining to Design U.S. Appl. No. 29/709,817, filed Oct. 17, 2019, 18 pgs.  
 Office Action dated Apr. 29, 2020 pertaining to U.S. Appl. No. 16/458,476, filed Jul. 1, 2019, 11 pgs.  
 Breville Smart Oven Review, publication date Sep. 10, 2013, [online][site visited Apr. 30, 2020] URL: <https://www.cnet.com/reviews/breville-smart-oven-review/> (Year: 2013).  
 Linear DNT Garage Door Remote Control, earliest photo verified date on webarchive Jul. 23, 2016, [online][site visited Apr. 30, 2020] URL: <https://dooropenersandmore.com/linear-dnt00026-mini-remote-control/> (Year: 2016).  
 Notice of Allowance and Fee(s) Due dated Apr. 9, 2020 pertaining to U.S. Appl. No. 29/665,170, filed Oct. 1, 2018, 21 pgs.

\* cited by examiner

Primary Examiner — Khawaja Anwar  
 (74) Attorney, Agent, or Firm — Dinsmore & Shohl LLP

(57) CLAIM

The ornamental design for a sleeve for electronic device, as shown and described.

DESCRIPTION

FIG. 1 is a perspective view including a front, top and one side of the sleeve for electronic device;  
 FIG. 2 is a perspective view including a rear, bottom and opposite side of the sleeve for electronic device;  
 FIG. 3 is a planar view of the front of the sleeve for electronic device of FIG. 1;  
 FIG. 4 is a planar view of the rear of the sleeve for electronic device of FIG. 1;  
 FIG. 5 is a planar view of one side of the sleeve for electronic device of FIG. 1;  
 FIG. 6 is a planar view of an opposite side of the sleeve for electronic device of FIG. 1;  
 FIG. 7 is a planar view of the top of the sleeve for electronic device of FIG. 1; and,  
 FIG. 8 is a planar view of the bottom of the sleeve for electronic device of FIG. 1.

1 Claim, 4 Drawing Sheets

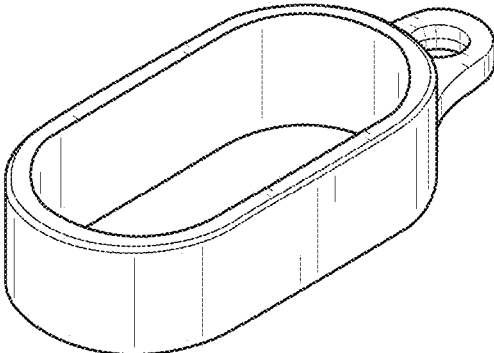


FIG. 1

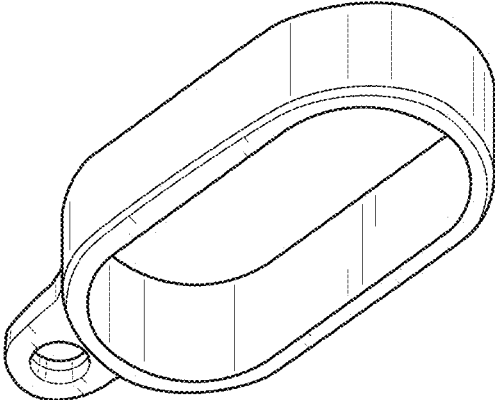


FIG. 2



FIG. 3

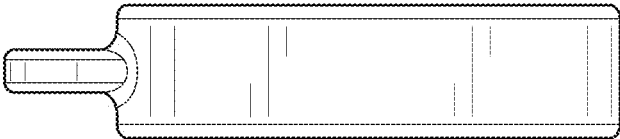


FIG. 4



FIG. 5

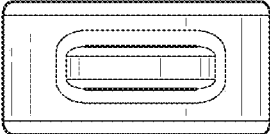


FIG. 6

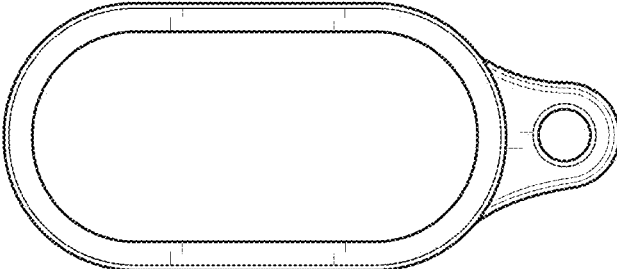


FIG. 7

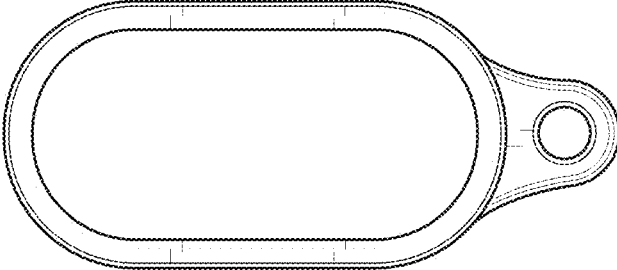


FIG. 8