



US00D747177S

(12) **United States Design Patent**  
**McGinty et al.**

(10) **Patent No.:** **US D747,177 S**

(45) **Date of Patent:** **\*\* Jan. 12, 2016**

- (54) **MOUNTING BRACKET FOR HOLDING A CYLINDRICAL CAN**
- (71) Applicant: **Michael P. Ziaylek**, Yardley, PA (US)
- (72) Inventors: **W. Brian McGinty**, Huntingdon Valley, PA (US); **Michael P. Ziaylek**, Yardley, PA (US); **Theodore P. Ziaylek**, Yardley, PA (US)
- (73) Assignee: **Michael P. Ziaylek**, Yardley, PA (US)
- (\*\*) Term: **14 Years**
- (21) Appl. No.: **29/474,048**
- (22) Filed: **May 13, 2014**
- (51) **LOC (10) Cl.** ..... **08-08**
- (52) **U.S. Cl.**  
USPC ..... **D8/349; D8/380**
- (58) **Field of Classification Search**  
USPC ..... D8/349, 354, 366, 371, 373, 374, 400, D8/380, 363; D16/201, 202, 203, 204, D16/237, 239, 240, 242; D23/385; 362/147; 248/343, 342, 345  
CPC ..... B60S 1/50; B60S 1/46; B01D 46/0005; B01D 2265/028; F02C 7/055; E05C 5/02; E05B 65/006; Y10T 24/45105; Y10T 292/0867

- 2,903,225 A 9/1959 Weinstein
- D188,000 S 5/1960 Shanok et al.
- 3,193,232 A 7/1965 Hatcher
- 3,224,644 A 12/1965 Davis
- 3,224,720 A 12/1965 Hain
- 3,317,171 A 5/1967 Kramer
- D222,903 S \* 2/1972 Griffith ..... D8/380
- 3,814,293 A 6/1974 Daves
- 3,921,950 A 11/1975 Sentinella
- 3,982,716 A 9/1976 Trees
- D267,227 S 12/1982 Ziaylek, Jr.
- 4,379,541 A 4/1983 Harkness
- 4,444,358 A \* 4/1984 Spohn et al. .... 239/284.1
- 4,750,095 A \* 6/1988 Huang ..... 362/190
- D322,211 S \* 12/1991 Gary ..... D8/373
- 5,071,100 A 12/1991 Sweeny
- D337,514 S \* 7/1993 Nasca ..... D8/373
- D337,851 S \* 7/1993 Gary ..... D26/138
- 5,318,266 A 6/1994 Liu
- D369,957 S \* 5/1996 Blanton ..... D8/373
- D394,381 S 5/1998 Ziaylek, Jr. et al.
- 5,749,490 A 5/1998 Keicher
- 5,975,475 A 11/1999 Chaplin
- 6,059,245 A 5/2000 Hermansen et al.

(Continued)

*Primary Examiner* — Mark Goodwin  
(74) *Attorney, Agent, or Firm* — Fox Rothschild, LLP

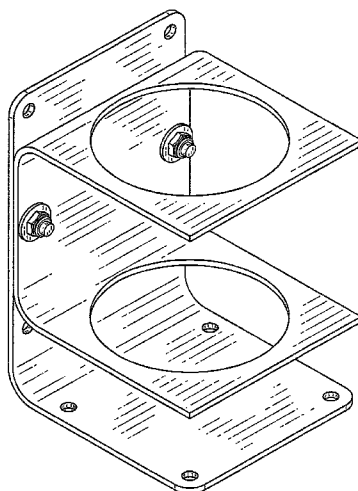
(57) **CLAIM**  
The ornamental design for a mounting bracket for holding a cylindrical can, as shown.

**DESCRIPTION**

FIG. 1 is a front three-quarter perspective view of a mounting bracket for holding a cylindrical can showing our new design; FIG. 2 is a front view thereof; FIG. 3 is a rear view thereof; FIG. 4 is a right side view thereof; FIG. 5 is a left side view thereof; FIG. 6 is a top plan view thereof; and, FIG. 7 is a bottom plan view thereof.

**1 Claim, 7 Drawing Sheets**

- (56) **References Cited**  
U.S. PATENT DOCUMENTS
- 1,633,083 A 6/1927 Fite, Jr.
- 1,829,353 A 10/1931 Hogan
- 1,848,085 A \* 3/1932 Eisenschmidt ..... 403/187
- 1,858,144 A 5/1932 Fariello
- 2,029,051 A 1/1936 Blevins
- 2,168,136 A 8/1939 Playfair et al.
- 2,200,024 A 5/1940 De Sipio et al.
- 2,431,698 A 12/1947 Lombard



(56)

**References Cited**

U.S. PATENT DOCUMENTS

6,086,312 A 7/2000 Ziaylek et al.  
6,520,123 B2 2/2003 Parker et al.  
D480,294 S 10/2003 Ziaylek, Jr. et al.  
6,685,153 B2 2/2004 Foreman  
D494,049 S \* 8/2004 Ziaylek et al. .... D8/373  
6,779,770 B2 8/2004 Kaupp  
6,808,149 B1 10/2004 Sendowski et al.  
D503,832 S 4/2005 Kennon  
6,889,947 B2 5/2005 Alberts  
6,951,328 B1 10/2005 Drapeau et al.

D522,180 S 5/2006 Gorla, II  
7,562,853 B2 7/2009 Mazzola  
D632,450 S 2/2011 Agoncillo et al.  
D668,379 S \* 10/2012 Storey ..... D26/138  
8,313,261 B1 11/2012 Mah  
8,382,419 B2 2/2013 Agoncillo et al.  
8,459,316 B2 6/2013 Suero Castaño et al.  
D685,530 S 7/2013 Hewitt  
8,517,193 B1 8/2013 Small  
8,534,629 B2 9/2013 Hennings et al.  
2013/0092708 A1 4/2013 Geiberger  
2013/0334269 A1 12/2013 Cardonna et al.

\* cited by examiner

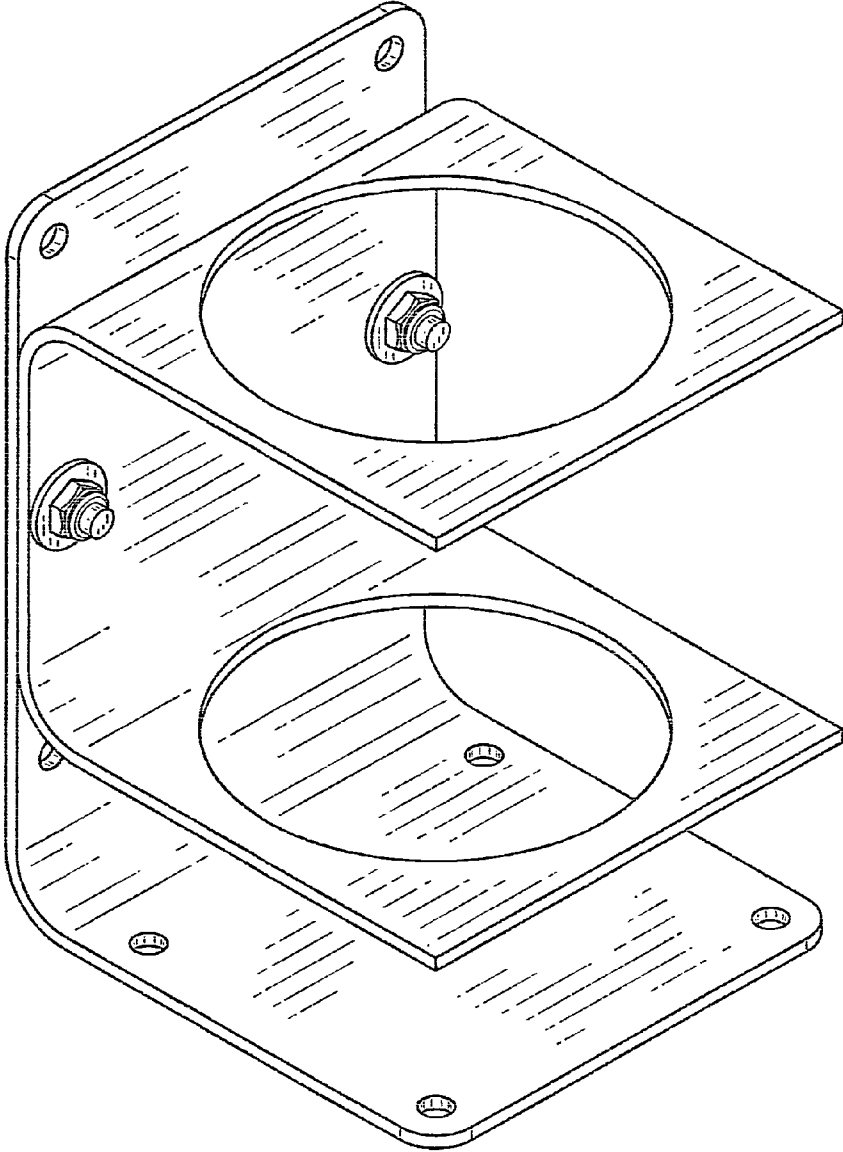


FIG. 1

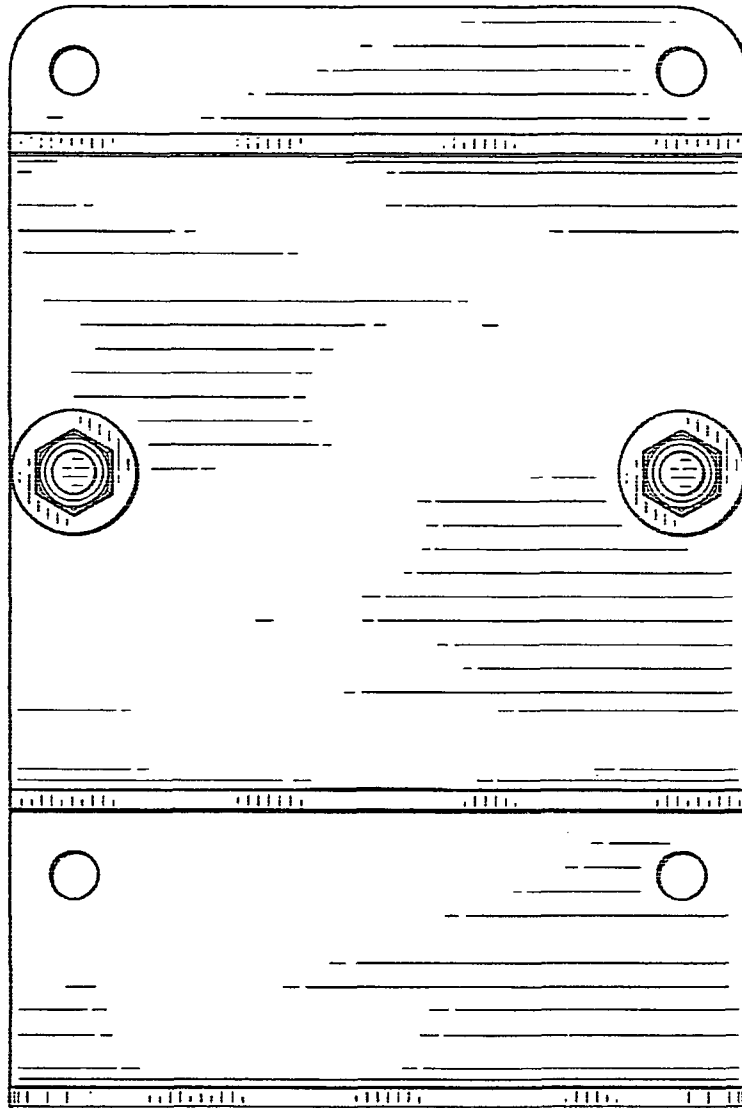


FIG. 2

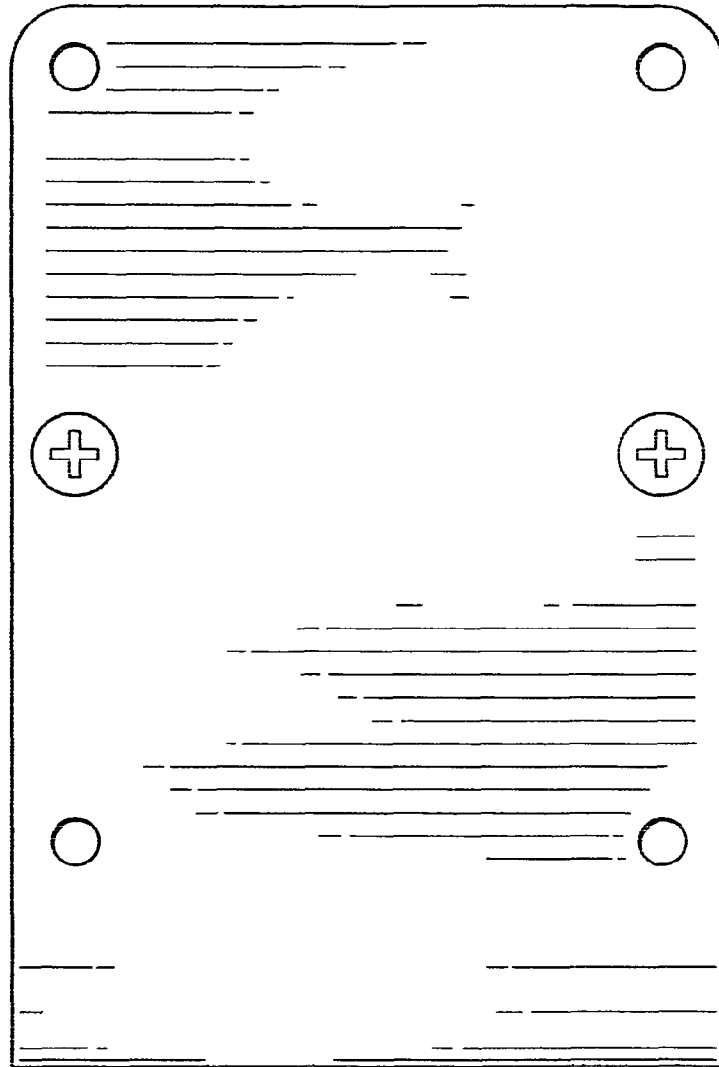


FIG. 3

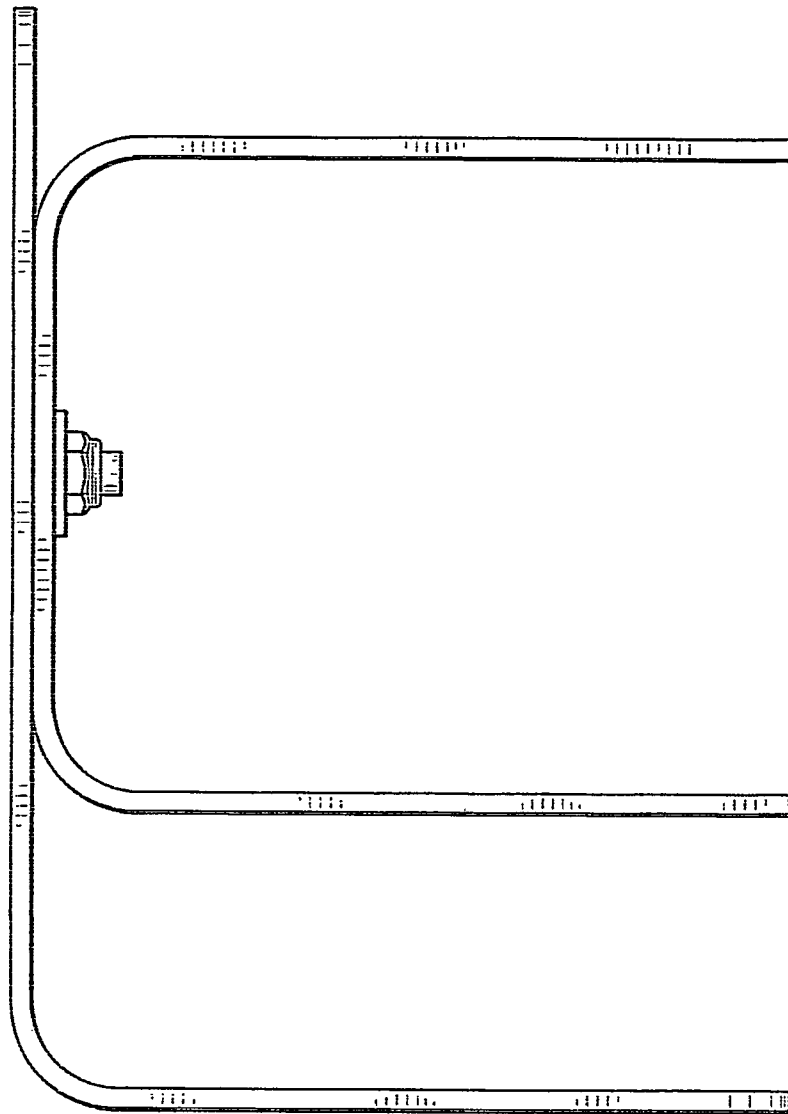


FIG. 4

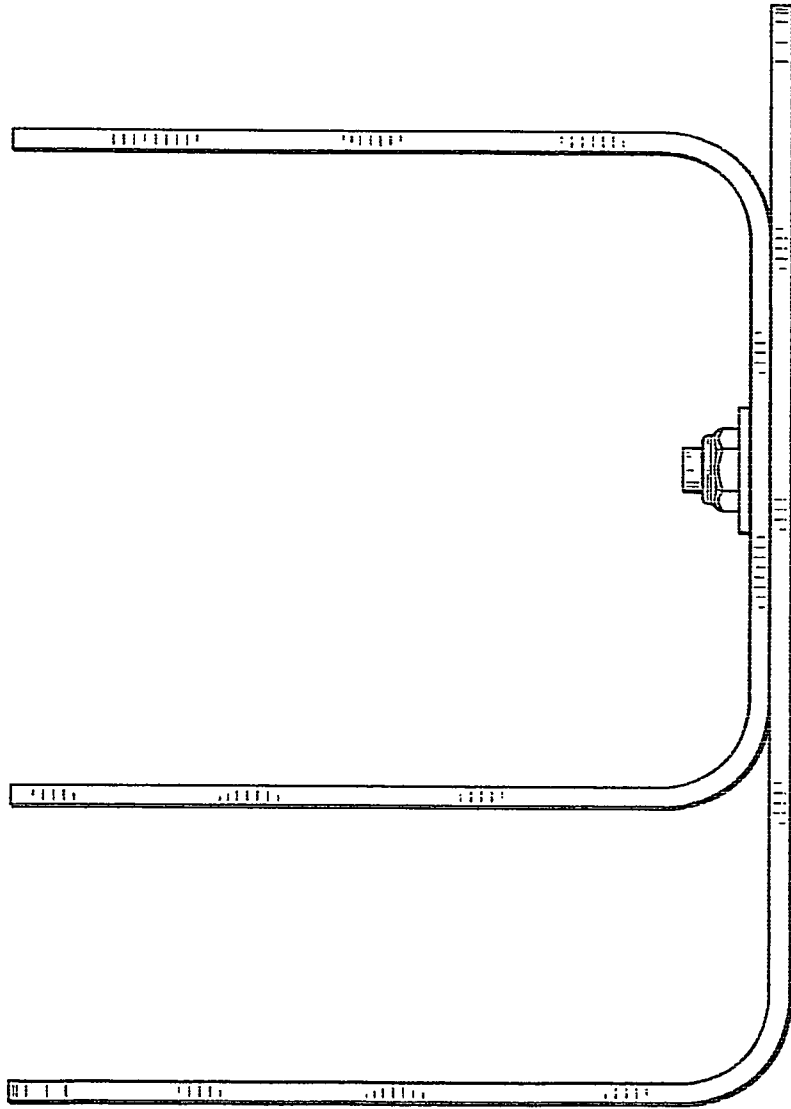


FIG. 5

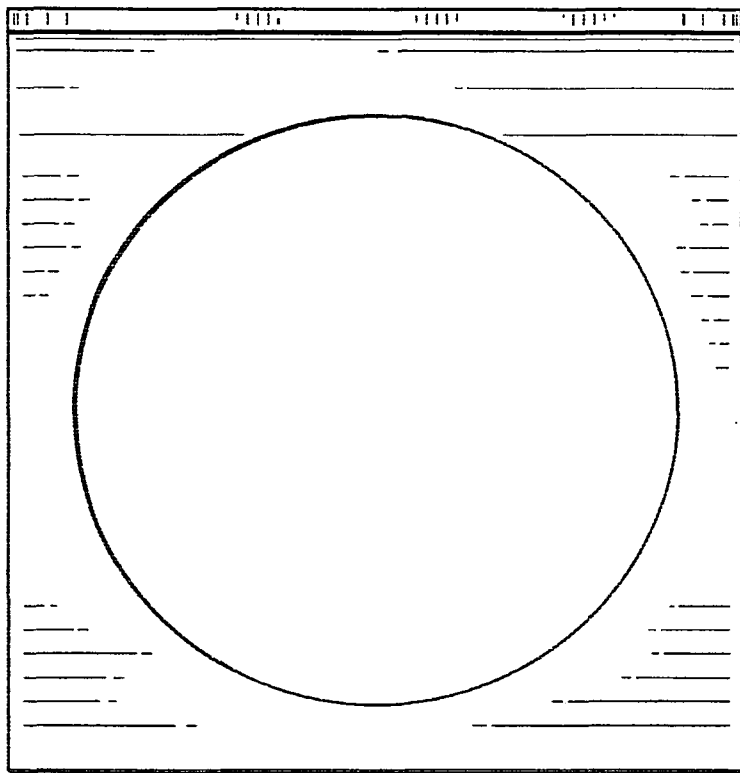


FIG. 6



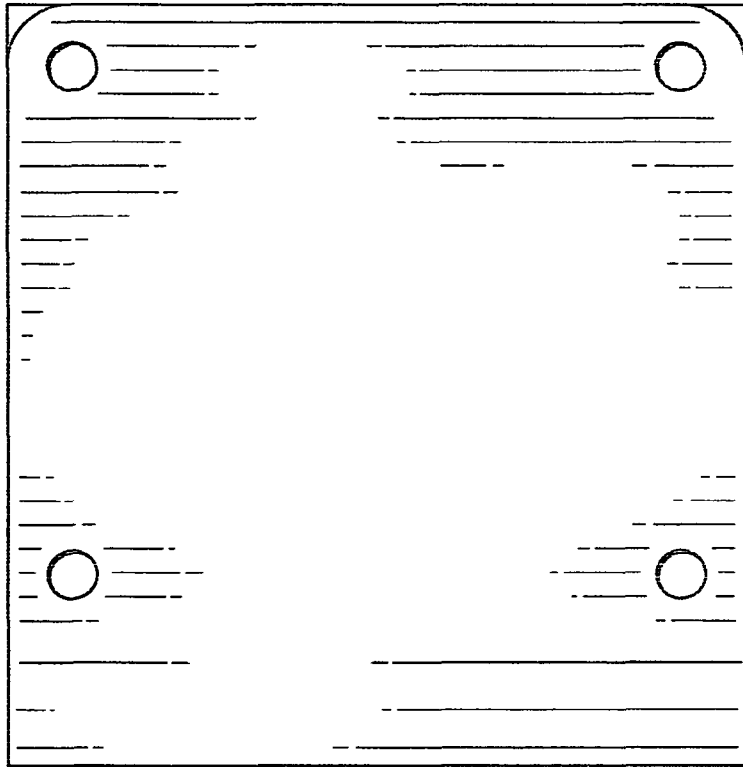


FIG. 7