



US00D740872S

(12) **United States Design Patent**
Wada

(10) **Patent No.:** **US D740,872 S**

(45) **Date of Patent:** **** Oct. 13, 2015**

(54) **SURVEILLANCE CAMERA MOUNT**

(71) Applicant: **Panasonic Corporation**, Osaka (JP)

(72) Inventor: **Jyouji Wada**, Kanagawa (JP)

(73) Assignee: **Panasonic Intellectual Property Management Co., Ltd.**, Osaka (JP)

(**) Term: **14 Years**

(21) Appl. No.: **29/496,124**

(22) Filed: **Jul. 9, 2014**

(30) **Foreign Application Priority Data**

Jan. 15, 2014 (JP) 2014-000566

(51) **LOC (10) Cl.** **16-01**

(52) **U.S. Cl.**
USPC **D16/203**

(58) **Field of Classification Search**
USPC D16/200-206, 208-211, 217-219;
340/436, 937; 348/143, 151, 373-376;
396/427, 433, 535-541; D26/24, 25,
D26/26, 28, 60, 61, 62, 67, 69, 72, 74, 80,
D26/81, 83, 84, 88, 90, 138, 142, 154
See application file for complete search history.

(56) **References Cited**

U.S. PATENT DOCUMENTS

D410,480 S * 6/1999 Takagi D16/202
D494,204 S * 8/2004 Naruke D16/203

D509,841 S * 9/2005 Ou D16/203
D527,405 S 8/2006 Kim et al.
D561,808 S 2/2008 Arnold et al.
D577,758 S * 9/2008 Ferris et al. D16/203
D606,105 S * 12/2009 Hinkel D16/203
D612,522 S * 3/2010 Howard et al. D26/26
D620,513 S 7/2010 Richards
D627,815 S * 11/2010 Oba D16/202
D651,068 S * 12/2011 Kang D8/363
D706,852 S * 6/2014 Carver et al. D16/203

* cited by examiner

Primary Examiner — Susan Bennett Hattan

Assistant Examiner — Leanne Was

(74) *Attorney, Agent, or Firm* — Panasonic Patent Center

(57) **CLAIM**

I claim the ornamental design for a surveillance camera mount, as shown and described.

DESCRIPTION

FIG. 1 is a top perspective view of a surveillance camera mount of the present invention;
FIG. 2 is a bottom perspective view thereof;
FIG. 3 is a front view thereof;
FIG. 4 is a rear view thereof;
FIG. 5 is a left side view thereof;
FIG. 6 is a right side view thereof;
FIG. 7 is a top view thereof; and,
FIG. 8 is a bottom view thereof.
The broken lines depict portions of the surveillance camera mount that form no part of the claimed design.

1 Claim, 8 Drawing Sheets

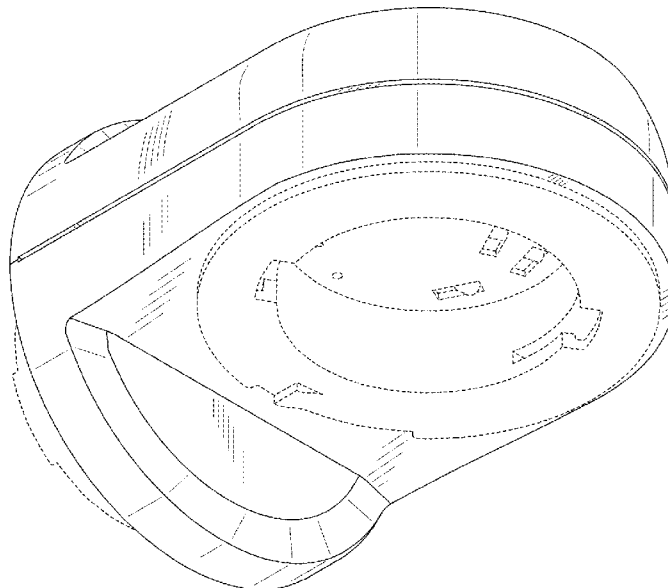


FIG. 1

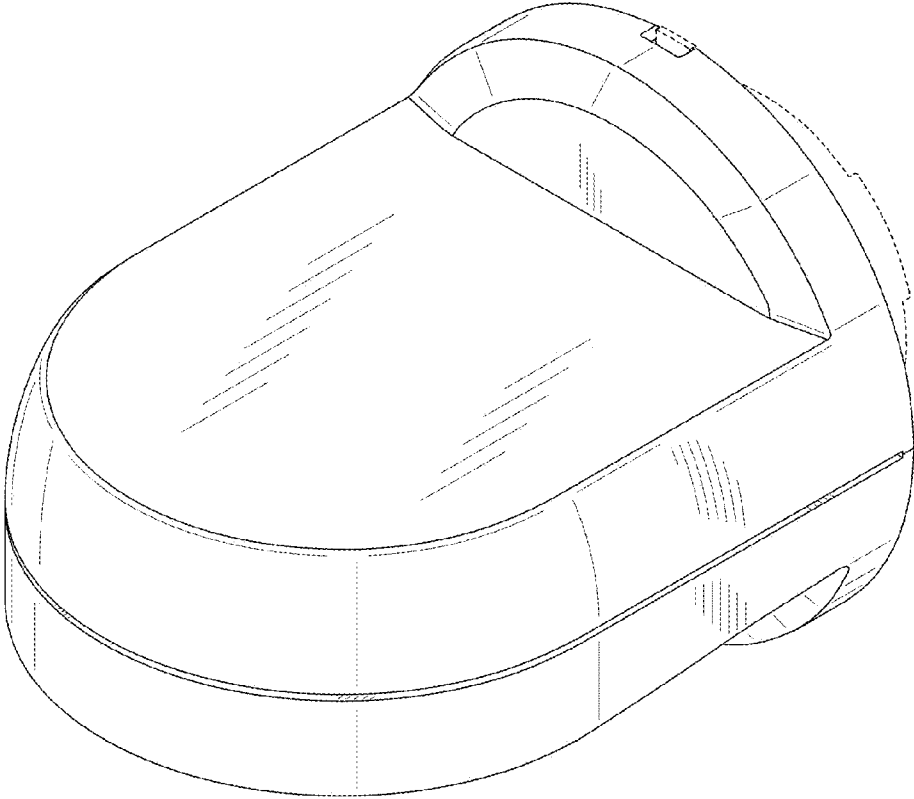


FIG. 2

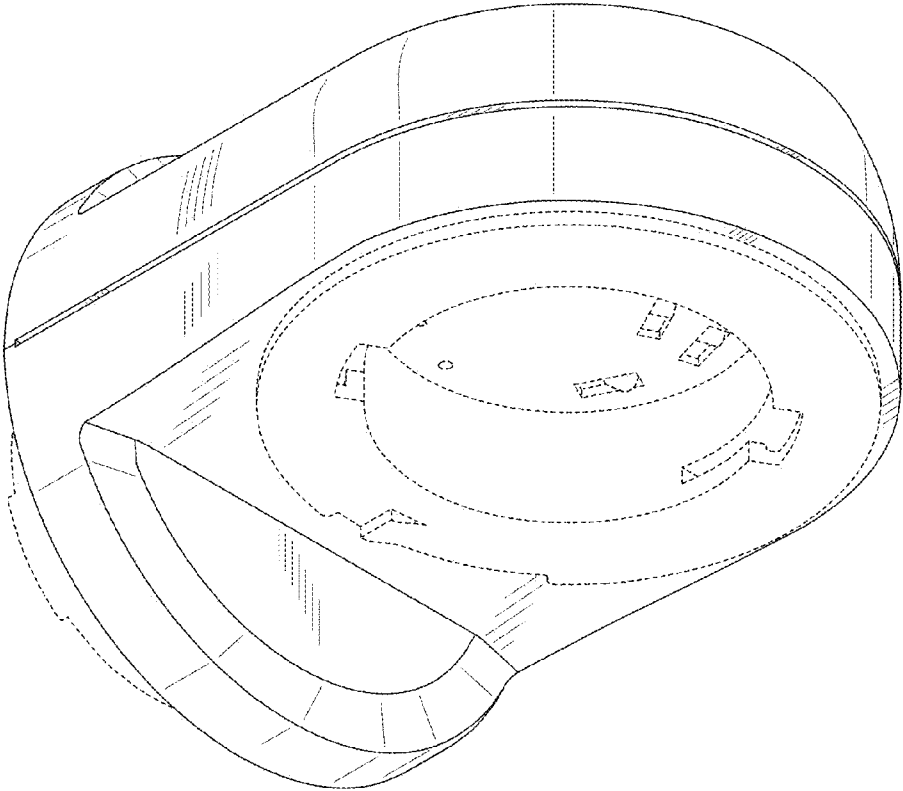


FIG. 3

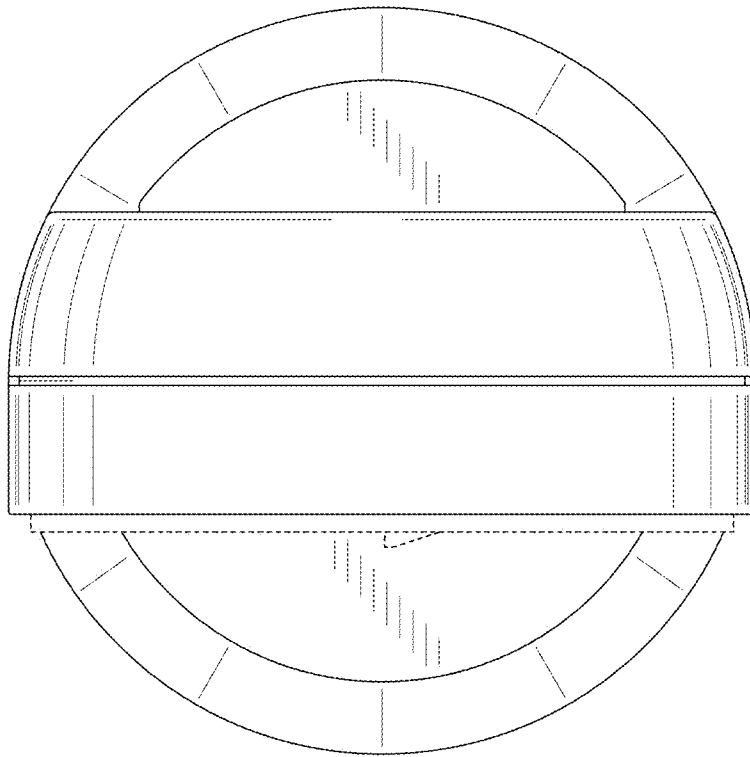


FIG. 4

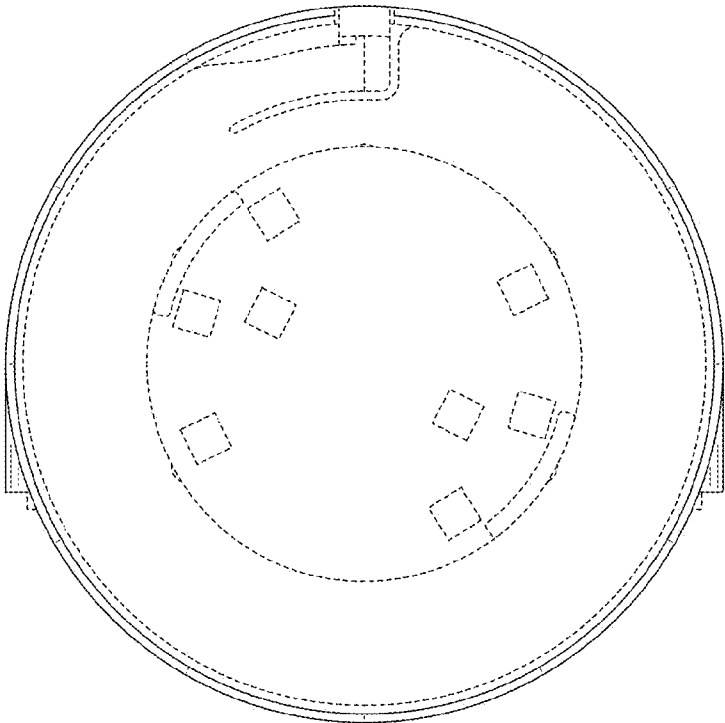


FIG. 5

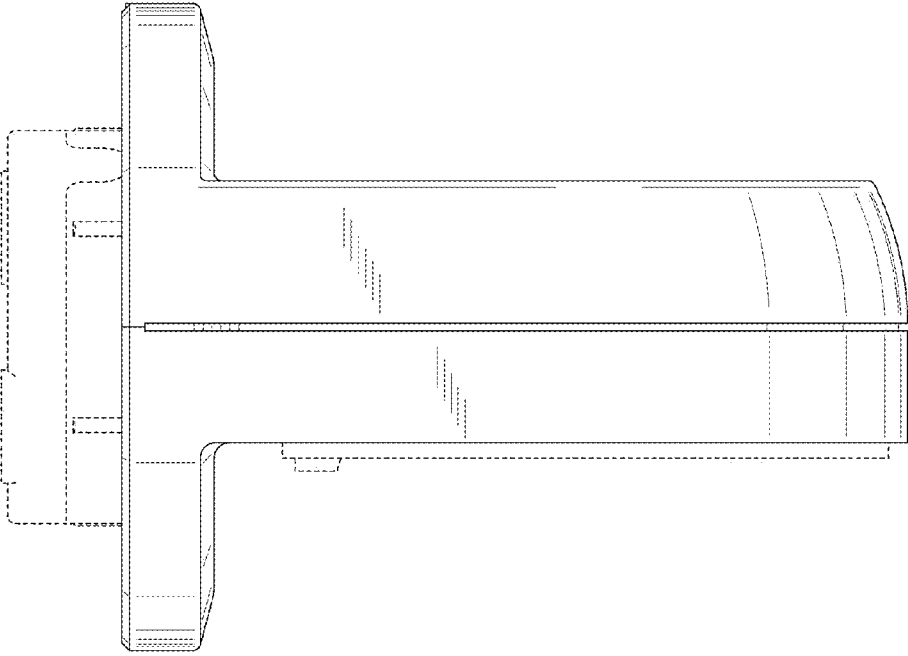


FIG. 6

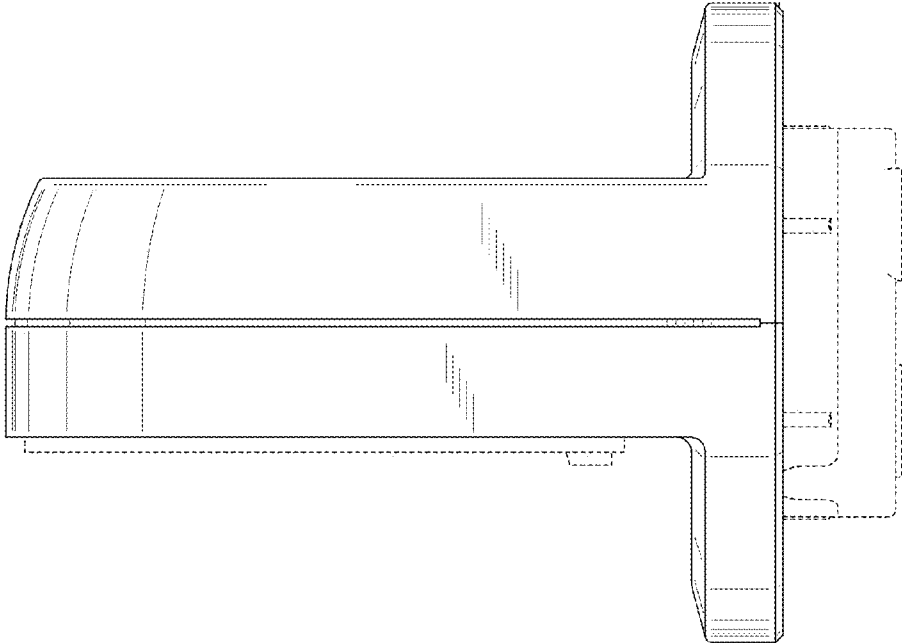


FIG. 7

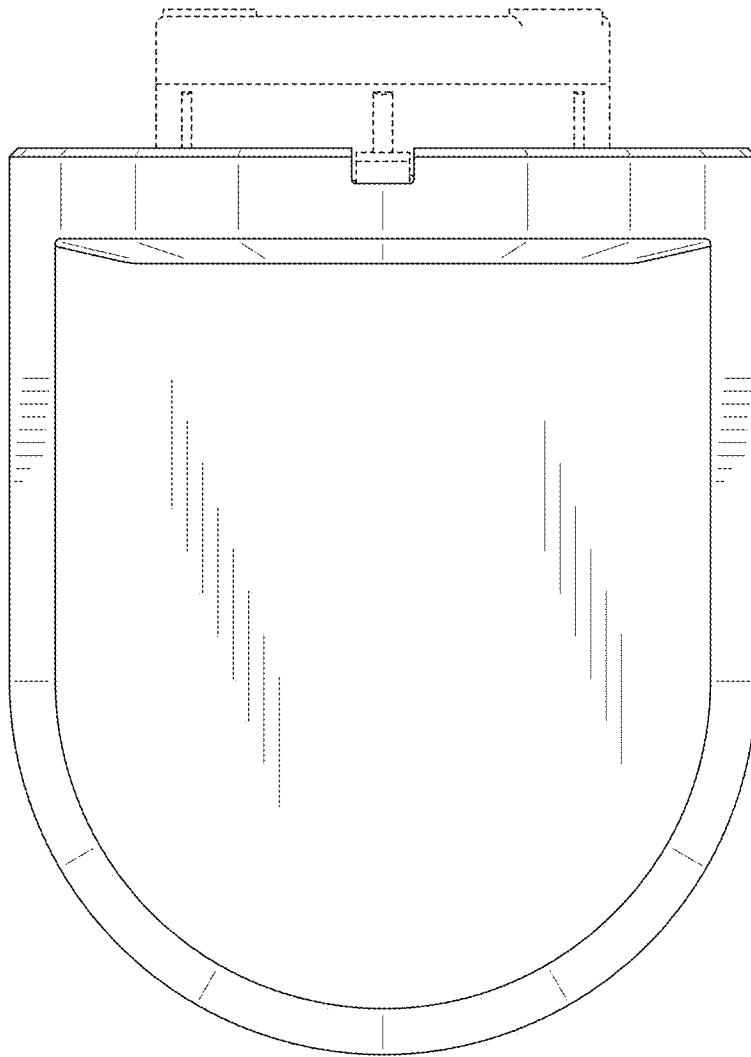


FIG. 8

