



- (51) International Patent Classification:  
B60W 10/10 (2006.01) B60K 6/20 (2007.10)
- (21) International Application Number:  
PCT/IB2008/002900
- (22) International Filing Date:  
26 September 2008 (26.09.2008)
- (25) Filing Language: English
- (26) Publication Language: English
- (30) Priority Data:  
2007-253666 28 September 2007 (28.09.2007) JP
- (71) Applicant (for all designated States except US): TOYOTA JIDOSHA KABUSHIKI KAISHA [JP/JP]; 1, Toyota-cho, Toyota-shi, Aichi-ken 471-8571 (JP).
- (72) Inventors; and
- (75) Inventors/Applicants (for US only): UEJIMA, Taiyo [JP/JP]; c/o Toyota Jidosha Kabushiki Kaisha, of 1, Toyota-cho, Toyota-shi, Aichi-ken 471-8571 (JP). KANAYAMA, Takeshi [JP/JP]; c/o Toyota Jidosha Kabushiki Kaisha of 1, Toyota-cho, Toyota-shi, Aichi-ken 471-8571 (JP).
- (81) Designated States (unless otherwise indicated, for every kind of national protection available): AE, AG, AL, AM, AO, AT, AU, AZ, BA, BB, BG, BH, BR, BW, BY, BZ,

CA, CH, CN, CO, CR, CU, CZ, DE, DK, DM, DO, DZ, EC, EE, EG, ES, FI, GB, GD, GE, GH, GM, GT, HN, HR, HU, ID, IL, IN, IS, KE, KG, KM, KN, KP, KR, KZ, LA, LC, LK, LR, LS, LT, LU, LY, MA, MD, ME, MG, MK, MN, MW, MX, MY, MZ, NA, NG, NI, NO, NZ, OM, PG, PH, PL, PT, RO, RS, RU, SC, SD, SE, SG, SK, SL, SM, ST, SV, SY, TJ, TM, TN, TR, TT, TZ, UA, UG, US, UZ, VC, VN, ZA, ZM, ZW.

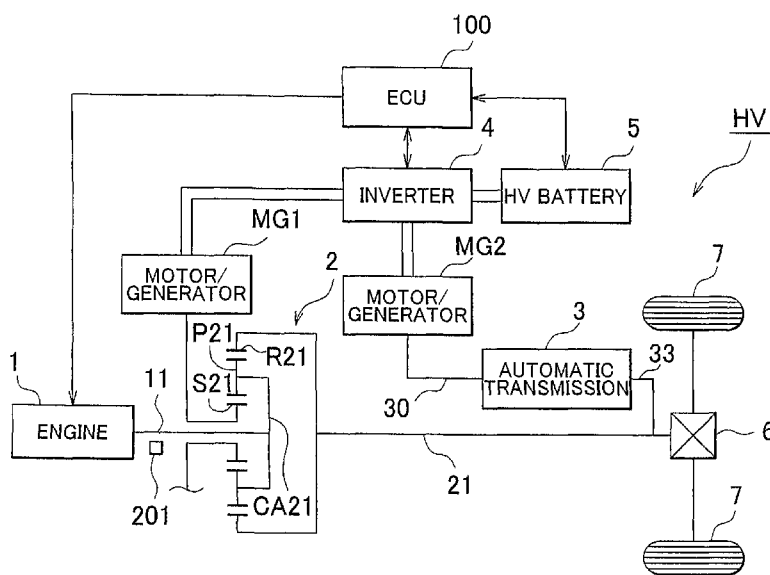
(84) Designated States (unless otherwise indicated, for every kind of regional protection available): ARIPO (BW, GH, GM, KE, LS, MW, MZ, NA, SD, SL, SZ, TZ, UG, ZM, ZW), Eurasian (AM, AZ, BY, KG, KZ, MD, RU, TJ, TM), European (AT, BE, BG, CH, CY, CZ, DE, DK, EE, ES, FI, FR, GB, GR, HR, HU, IE, IS, IT, LT, LU, LV, MC, MT, NL, NO, PL, PT, RO, SE, SI, SK, TR), OAPI (BF, BJ, CF, CG, CI, CM, GA, GN, GQ, GW, ML, MR, NE, SN, TD, TG).

Published:  
— with international search report (Art. 21(3))  
— before the expiration of the time limit for amending the claims and to be republished in the event of receipt of amendments (Rule 48.2(h))

(88) Date of publication of the international search report:  
14 January 2010

(54) Title: CONTROL DEVICE FOR VEHICLE

FIG. 1



(57) Abstract: In a hybrid vehicle that speed-shifts the output of a motor/generator (MG2) using an automatic transmission (3) and transmits the speed-shifted output to a drive wheel (7), a magnet temperature of the motor/generator (MG2) is estimated, and when the magnet temperature is higher than a reference temperature, an oil pressure command value for engaging or disengaging a brake of the automatic transmission (3) is corrected in a decreasing direction, thereby preventing tie-up shock. When the magnet temperature is lower than the reference temperature, on the other hand, the oil pressure command value for engaging or disengaging the brake of the automatic transmission (3) is corrected in an increasing direction, thereby avoiding racing in the motor/generator (MG2).

**INTERNATIONAL SEARCH REPORT**

International application No  
PCT/IB2008/002900

**A. CLASSIFICATION OF SUBJECT MATTER**  
INV. B60W10/10 B60K6/20

According to International Patent Classification (IPC) or to both national classification and IPC

**B. FIELDS SEARCHED**

Minimum documentation searched (classification system followed by classification symbols)  
B60W B60K

Documentation searched other than minimum documentation to the extent that such documents are included in the fields searched

Electronic data base consulted during the international search (name of data base and, where practical, search terms used)

EPO-Internal

**C. DOCUMENTS CONSIDERED TO BE RELEVANT**

Category*	Citation of document, with indication, where appropriate, of the relevant passages	Relevant to claim No.
X	DE 199 32 755 A1 (LUK LAMELLEN & KUPPLUNGSBAU [DE]) 1 February 2001 (2001-02-01) column 1, line 1 - column 9, line 63; figures 1-3	1-17
X	US 5 697 466 A (MOROTO SHUZO [JP] ET AL) 16 December 1997 (1997-12-16) column 1, line 64 - column 2, line 27; figures 1-15	11-17
X	US 6 026 921 A (AOYAMA SHUNICHI [JP] ET AL) 22 February 2000 (2000-02-22) column 5, line 17 - column 7, line 6; figures 1-16	18-20
A		2

Further documents are listed in the continuation of Box C.

See patent family annex.

\* Special categories of cited documents :

- \*A\* document defining the general state of the art which is not considered to be of particular relevance
- \*E\* earlier document but published on or after the international filing date
- \*L\* document which may throw doubts on priority claim(s) or which is cited to establish the publication date of another citation or other special reason (as specified)
- \*O\* document referring to an oral disclosure, use, exhibition or other means
- \*P\* document published prior to the international filing date but later than the priority date claimed

- \*T\* later document published after the international filing date or priority date and not in conflict with the application but cited to understand the principle or theory underlying the invention
- \*X\* document of particular relevance; the claimed invention cannot be considered novel or cannot be considered to involve an inventive step when the document is taken alone
- \*Y\* document of particular relevance; the claimed invention cannot be considered to involve an inventive step when the document is combined with one or more other such documents, such combination being obvious to a person skilled in the art.
- \* & \* document member of the same patent family

Date of the actual completion of the international search

19 November 2009

Date of mailing of the international search report

26/11/2009

Name and mailing address of the ISA/  
European Patent Office, P.B. 5818 Patentlaan 2  
NL - 2280 HV Rijswijk  
Tel. (+31-70) 340-2040,  
Fax: (+31-70) 340-3016

Authorized officer

Baeza Félez, Lluís

# INTERNATIONAL SEARCH REPORT

Information on patent family members

International application No PCT/IB2008/002900
---

Patent document cited in search report	Publication date	Publication date	Patent family member(s)	Publication date
DE 19932755	A1	01-02-2001	AU 6683000 A	05-02-2001
			BR 0006940 A	31-07-2001
			WO 0106152 A1	25-01-2001
			DE 10032906 A1	22-03-2001
			DE 10082053 D2	28-02-2002
			FR 2796341 A1	19-01-2001
			IT MI20001588 A1	14-01-2002
US 5697466	A	16-12-1997	NONE	
US 6026921	A	22-02-2000	JP 3381613 B2	04-03-2003
			JP 11270376 A	05-10-1999