



US00D816919S

(12) **United States Design Patent**  
**Drinkwater**

(10) **Patent No.:** **US D816,919 S**

(45) **Date of Patent:** **\*\* May 1, 2018**

(54) **SERVICE DOG VEST**

(71) Applicant: **Patrick Drinkwater**, Haddonfield, NJ (US)

(72) Inventor: **Patrick Drinkwater**, Haddonfield, NJ (US)

(\*\*) Term: **15 Years**

(21) Appl. No.: **29/628,355**

(22) Filed: **Dec. 4, 2017**

(51) **LOC (11) Cl.** ..... **30-04**

(52) **U.S. Cl.**  
USPC ..... **D30/152**

(58) **Field of Classification Search**  
USPC ..... D30/144, 145, 151, 152, 199; D24/190; D29/101.1, 101.3, 101.5; D3/217, 231  
CPC ..... A01K 27/002  
See application file for complete search history.

(56) **References Cited**

**U.S. PATENT DOCUMENTS**

D459,842 S	7/2002	Kaplan	
D480,843 S *	10/2003	Sullivan	..... A01K 27/002
			D30/152
D638,176 S *	5/2011	Mugford	..... D30/152
D653,411 S *	1/2012	Elliott	..... D30/144
D677,841 S	3/2013	Gibbs	
D681,287 S	4/2013	Collignon	
D682,486 S *	5/2013	Sebo	..... A61D 9/00
			D30/152
8,627,788 B2	1/2014	Sebo	
D701,007 S *	3/2014	Krupich	..... D30/152
D736,482 S *	8/2015	Lapresca	..... D30/152

(Continued)

**FOREIGN PATENT DOCUMENTS**

WO	DM/078 625	12/2012
WO	DM/095 168	3/2017

**OTHER PUBLICATIONS**

“LuvDoggy Service Dog Vest-Leash-Dog Tag”. Found online Feb. 15, 2018 at [luvdoggy.com](https://www.luvdoggy.com). Page dated Feb. 15, 2018. Retrieved from <https://www.luvdoggy.com/collections/dog-vest/products/vest-leash-dog-tag>.\*

(Continued)

*Primary Examiner* — George D. Kirschbaum  
*Assistant Examiner* — Kendra Leslie Hamilton

(57) **CLAIM**

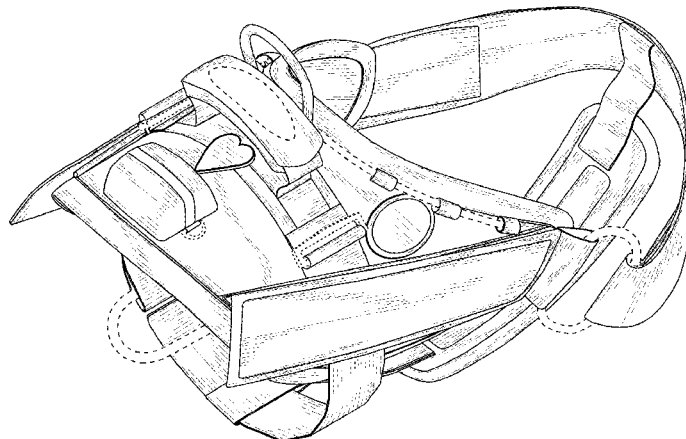
The ornamental design for a service dog vest, as shown and described.

**DESCRIPTION**

FIG. 1 is a top-back perspective view of a service dog vest showing my new design;  
FIG. 2 is a top-front perspective view thereof;  
FIG. 3 is a bottom-back perspective view thereof;  
FIG. 4 is a bottom-front perspective view thereof;  
FIG. 5 is a top perspective view, showing the service dog vest in an alternate, flat configuration;  
FIG. 6 is a bottom perspective view, showing the service dog vest in an alternate, flat configuration;  
FIG. 7 is a back view thereof;  
FIG. 8 is a front view thereof;  
FIG. 9 is a top view thereof;  
FIG. 10 is a bottom view thereof;  
FIG. 11 is a right view thereof;  
FIG. 12 is a left view thereof;  
FIG. 13 is a back view, showing the service dog vest in an alternate, flat configuration;  
FIG. 14 is a front view thereof;  
FIG. 15 is a top view thereof;  
FIG. 16 is a bottom view thereof;  
FIG. 17 is a right view thereof; and,  
FIG. 18 is a left view thereof.

The broken lines in the drawings represent unclaimed environmental subject matter and form no part of the claim.

**1 Claim, 18 Drawing Sheets**



(56)

**References Cited**

## U.S. PATENT DOCUMENTS

D793,631 S \* 8/2017 Speed ..... D30/152  
2006/0037562 A1\* 2/2006 Woerner ..... A01K 27/002  
119/856  
2011/0067648 A1\* 3/2011 Siklosi ..... A01K 27/002  
119/792  
2011/0271913 A1\* 11/2011 Min ..... A01K 27/002  
119/856  
2015/0320011 A1\* 11/2015 Thorne ..... A01K 27/003  
119/792  
2016/0007570 A1\* 1/2016 Stout ..... A01K 27/002  
119/856  
2017/0215386 A1\* 8/2017 Pianelli ..... A01K 27/006

## OTHER PUBLICATIONS

"Feliscanis Tactical Dog Training Vest". Found online Feb. 15, 2018 at amazon.com. Page dated Nov. 16, 2016. Retrieved from [https://www.amazon.com/Feliscanis-Tactical-Training-Harness-Adjustable/dp/B01MQGL32N/ref=cm\\_cr\\_ar\\_p\\_d\\_product\\_top?ie=UTF8.\\*](https://www.amazon.com/Feliscanis-Tactical-Training-Harness-Adjustable/dp/B01MQGL32N/ref=cm_cr_ar_p_d_product_top?ie=UTF8.*)  
"OUTRY Tactical Dog Training Harness". Found online Feb. 15, 2018 at amazon.com. Page dated Jan. 22, 2017. Retrieved from [https://www.amazon.com/OUTRY-Tactical-Training-Harness-Available/dp/B01NAL5DMY/ref=cm\\_cr\\_ar\\_p\\_d\\_product\\_top?ie=UTF8.\\*](https://www.amazon.com/OUTRY-Tactical-Training-Harness-Available/dp/B01NAL5DMY/ref=cm_cr_ar_p_d_product_top?ie=UTF8.*)  
"ALBCORP Reflective Service Dog Vest / Harness". Found online Feb. 10, 2017 at amazon.com. Page dated May 4, 2016. Retrieved from [https://www.amazon.com/ALBCORP-Reflective-Service-Polyester-Neoprene/dp/B01M1BHGP2/ref=cm\\_cr\\_ar\\_p\\_d\\_product\\_top?ie=UTF8.\\*](https://www.amazon.com/ALBCORP-Reflective-Service-Polyester-Neoprene/dp/B01M1BHGP2/ref=cm_cr_ar_p_d_product_top?ie=UTF8.*)

\* cited by examiner

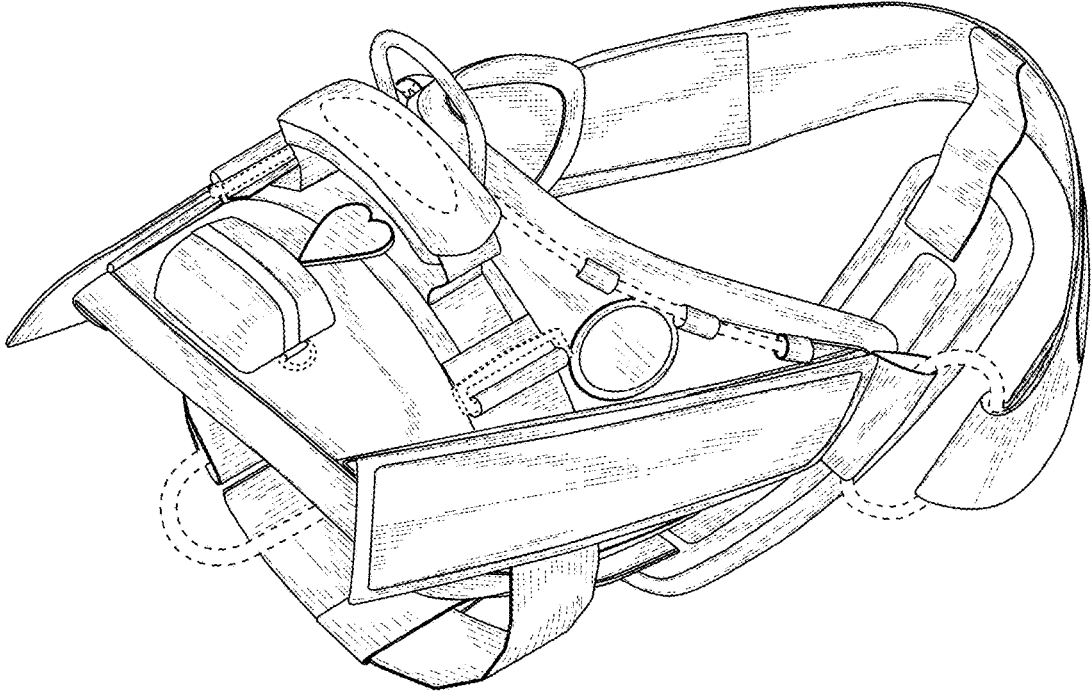


FIG. 1

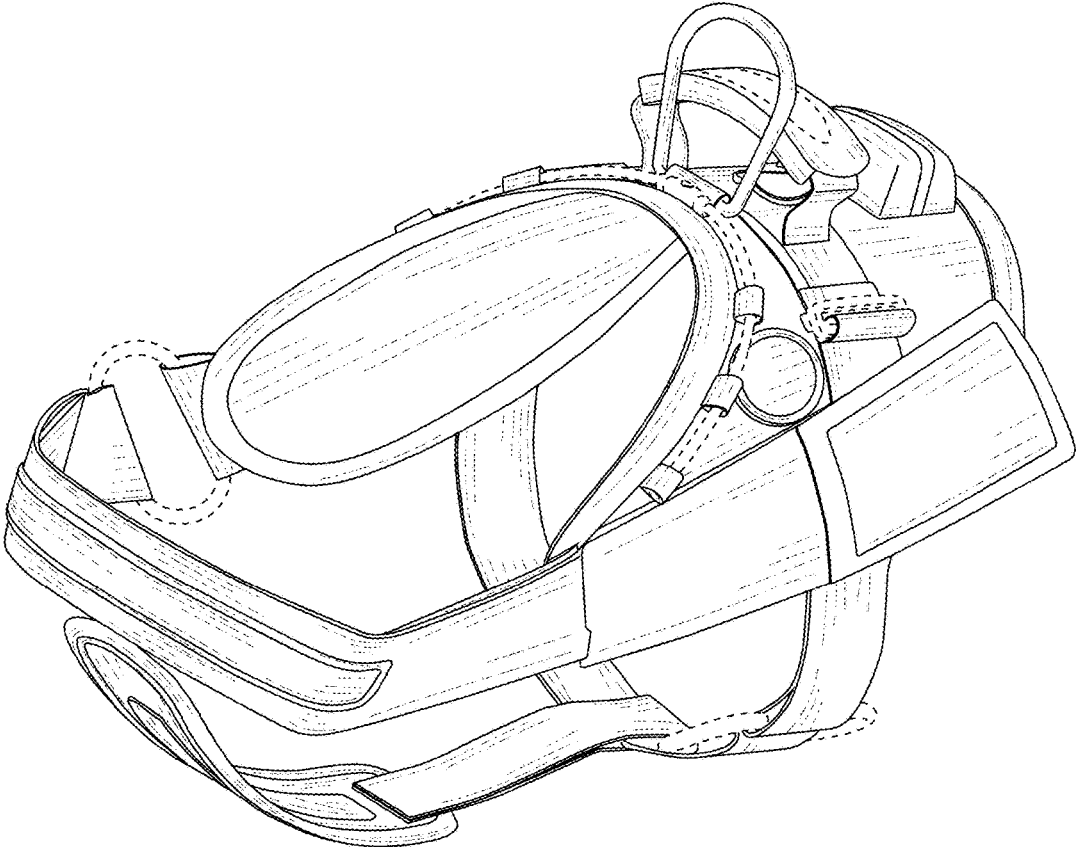


FIG. 2

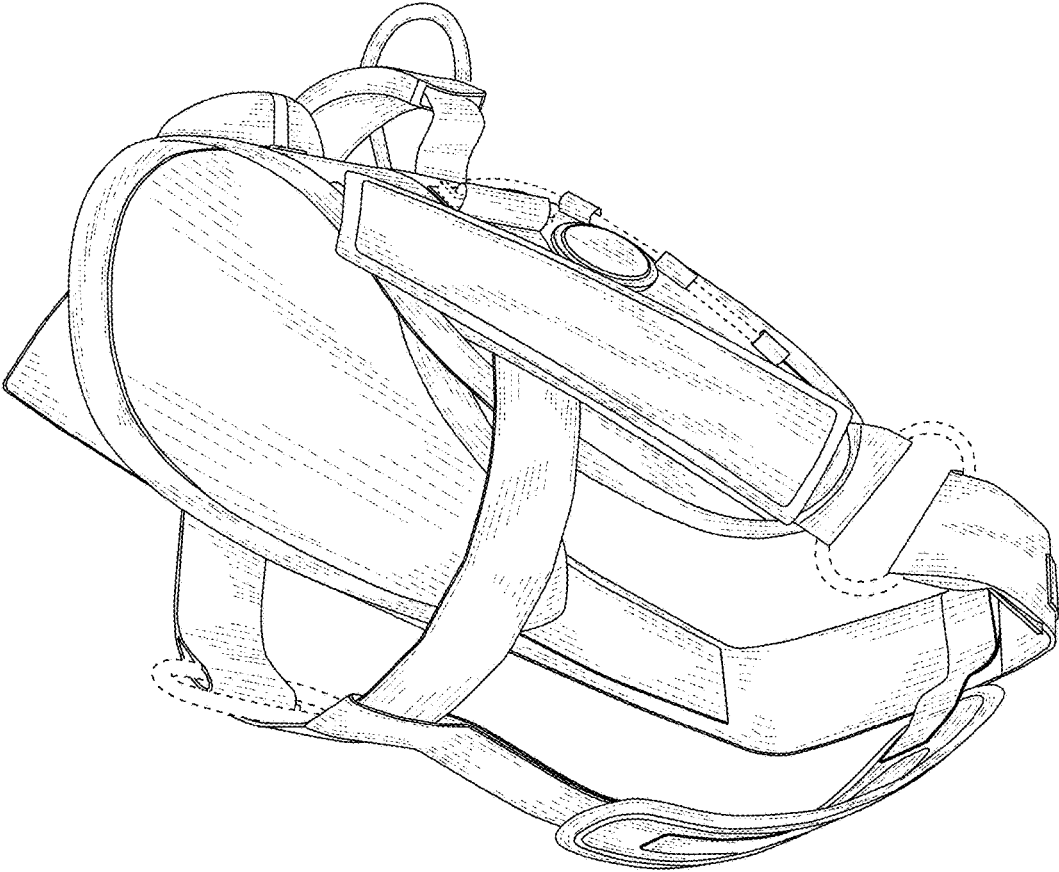


FIG. 3

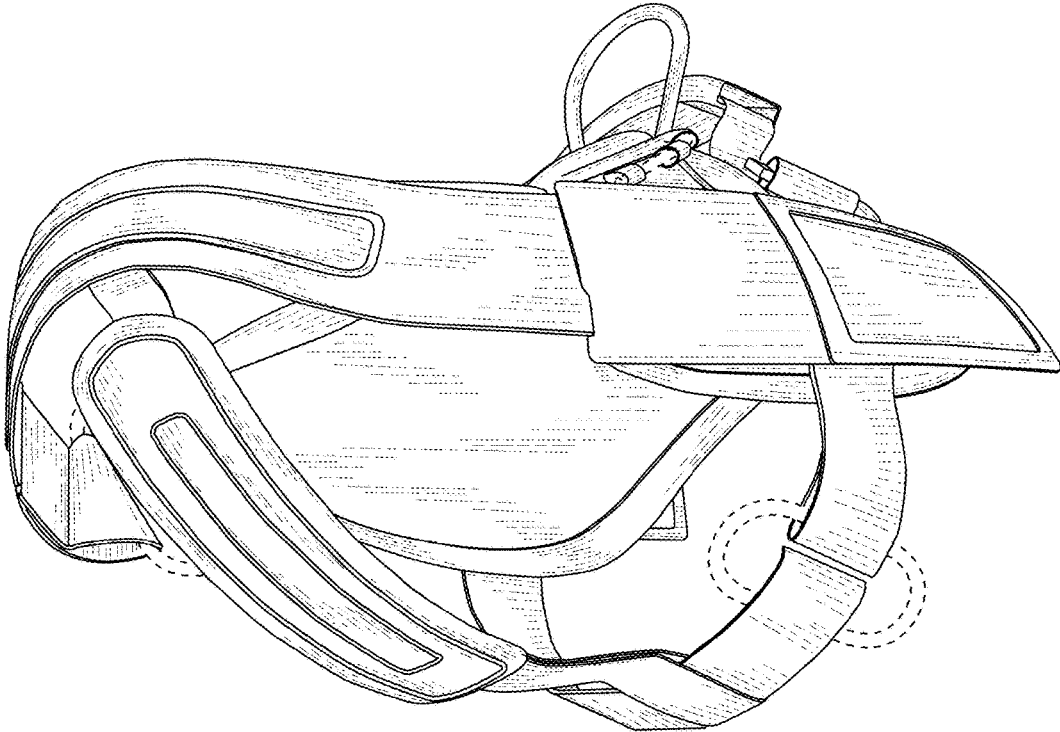


FIG. 4

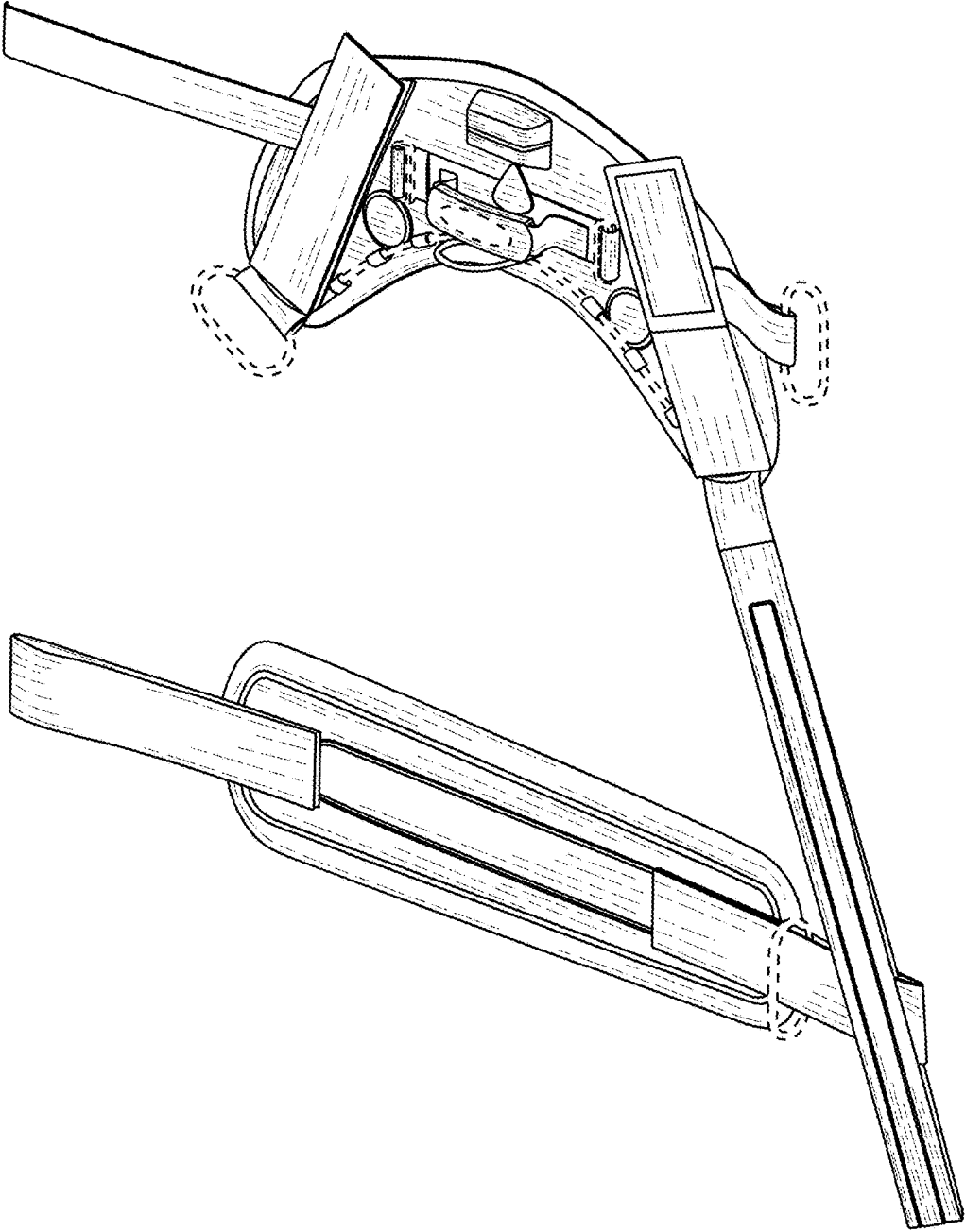


FIG. 5

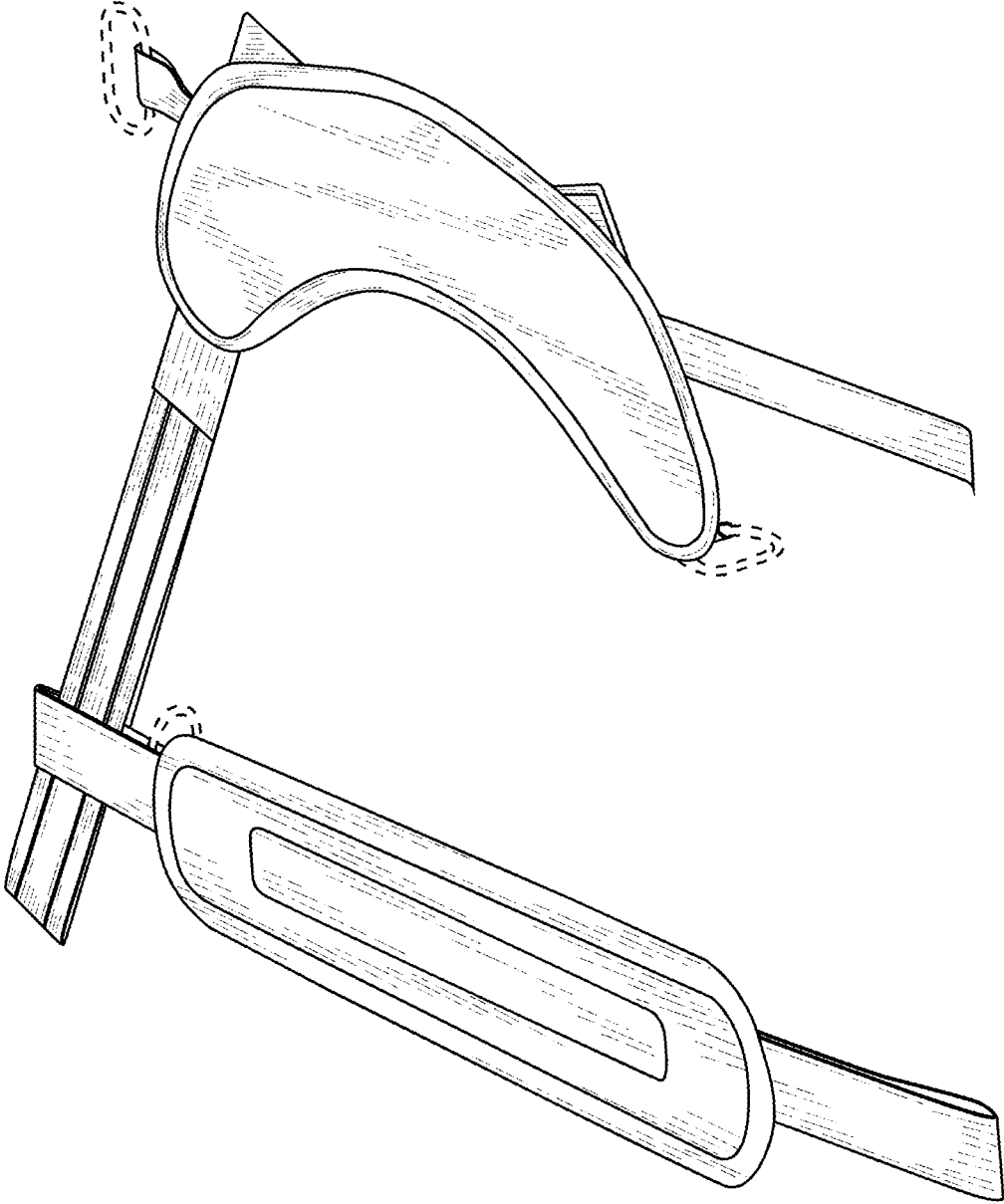


FIG. 6



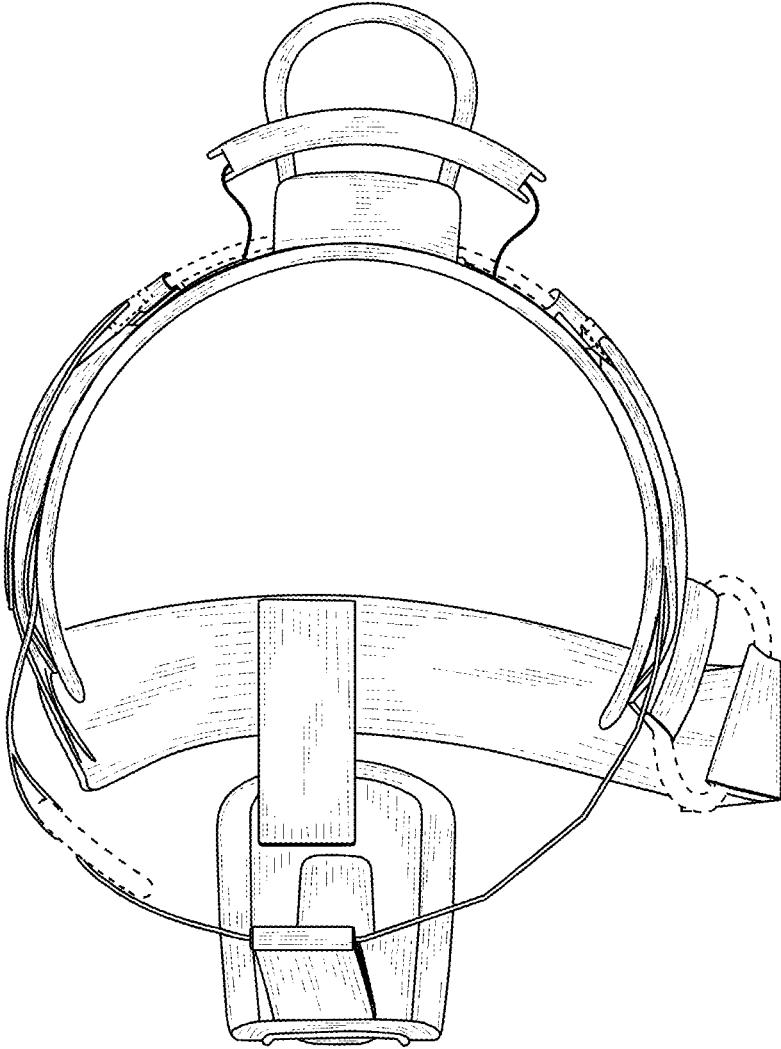


FIG. 7

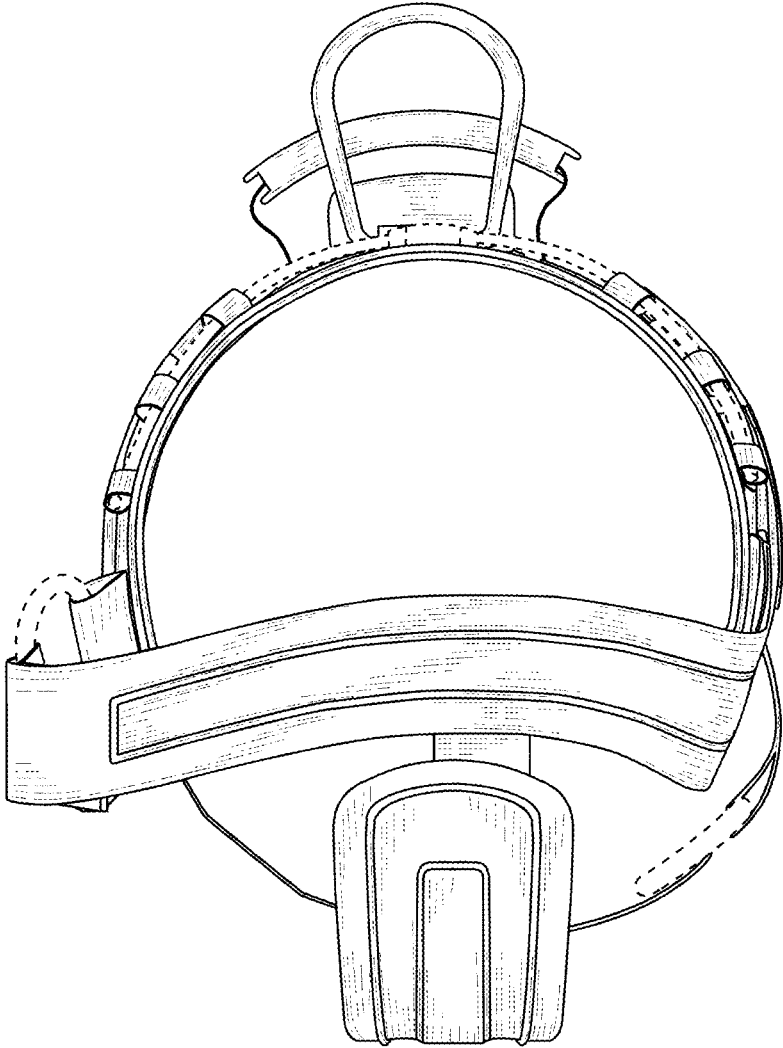


FIG. 8

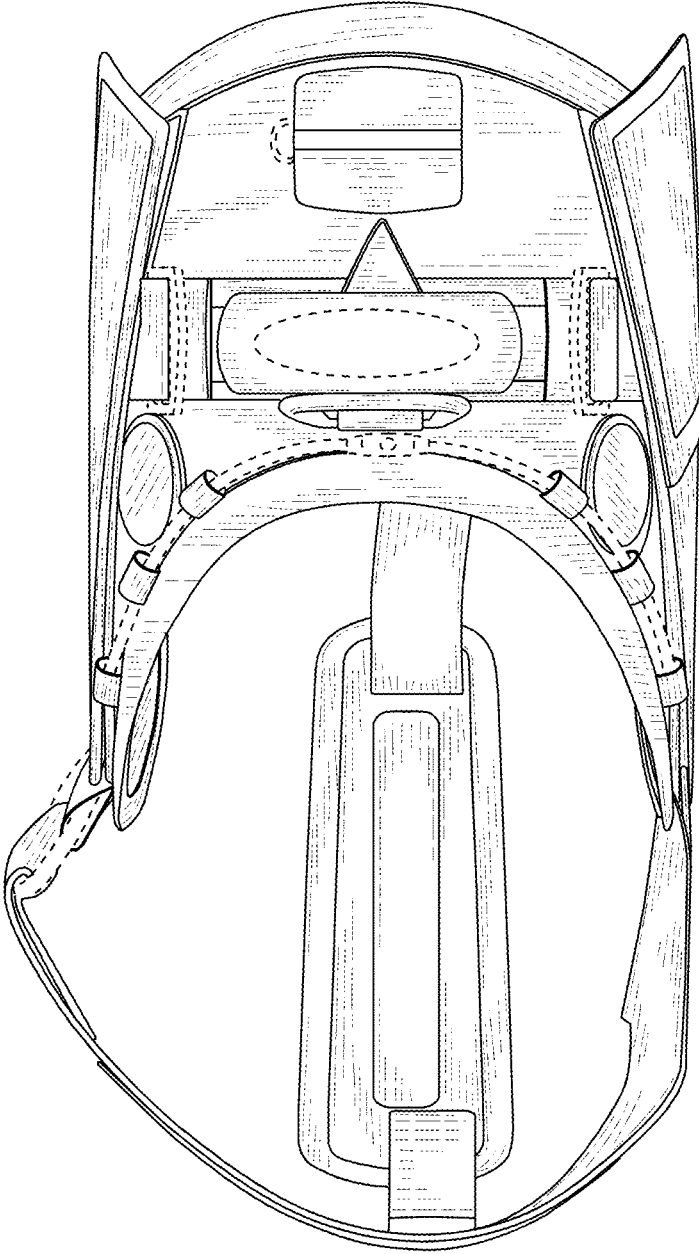


FIG. 9

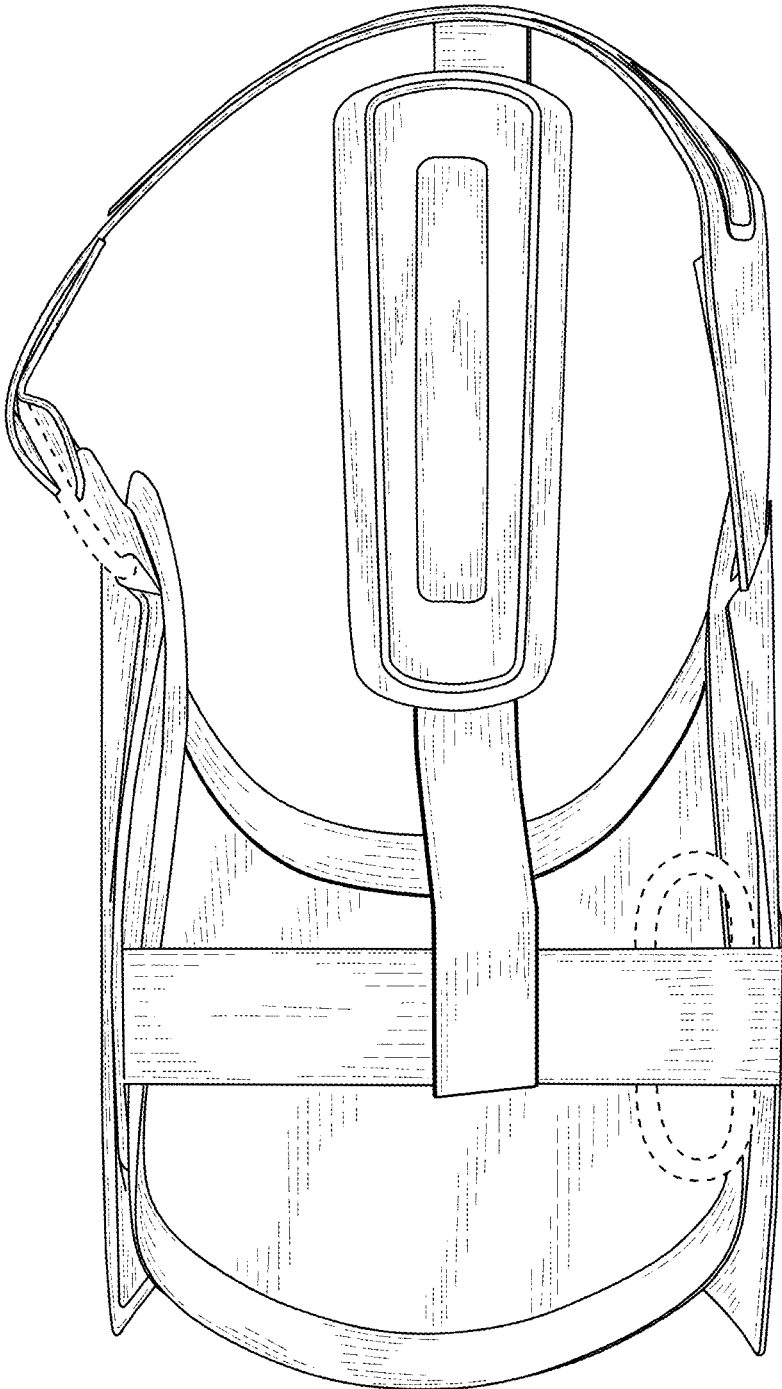


FIG. 10

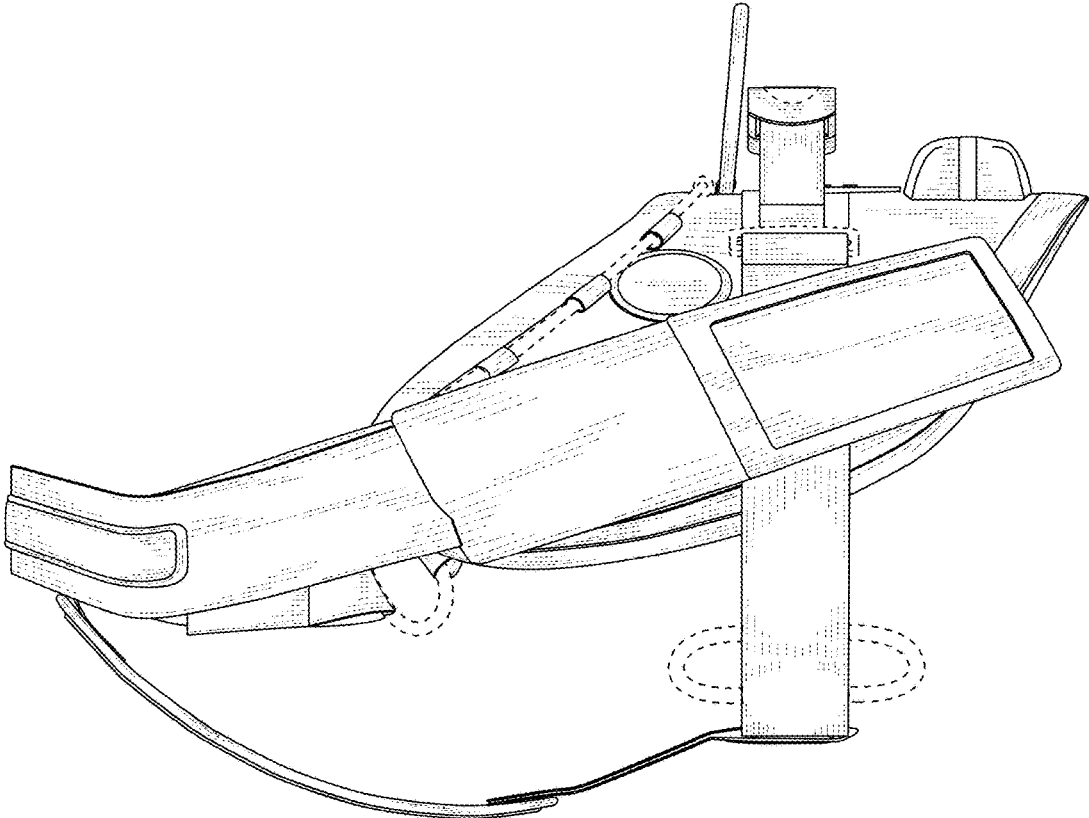


FIG. 11

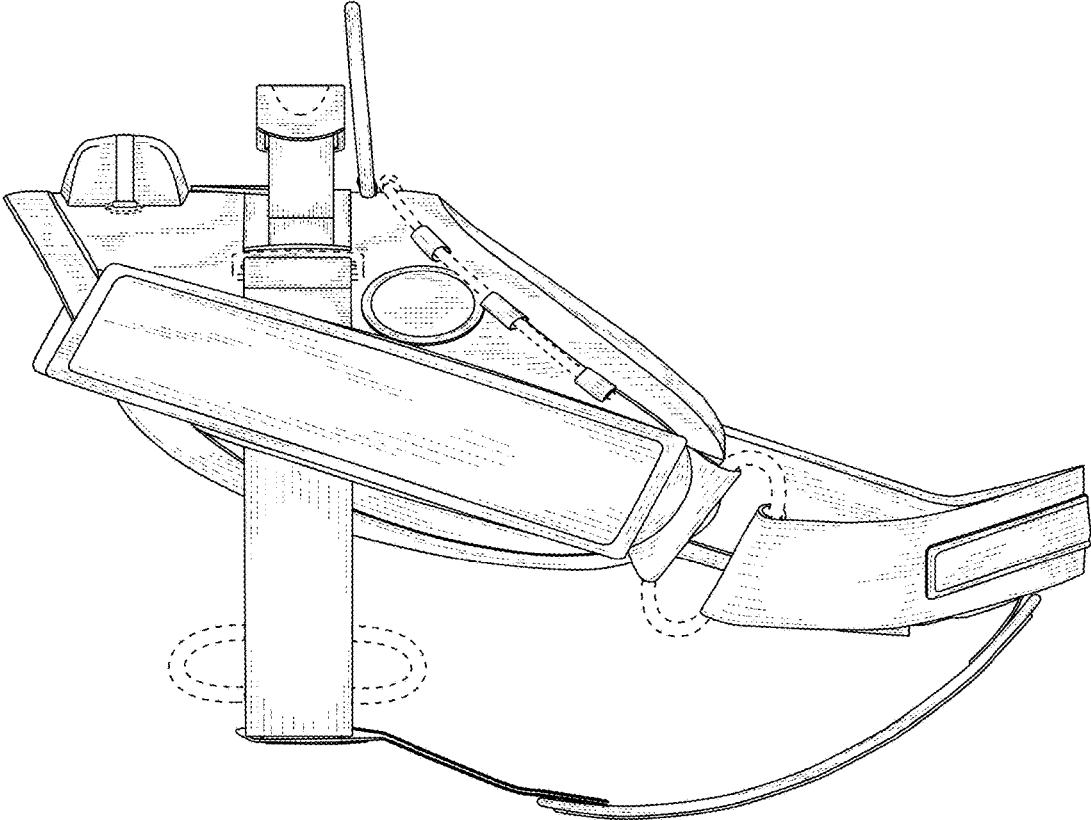


FIG. 12

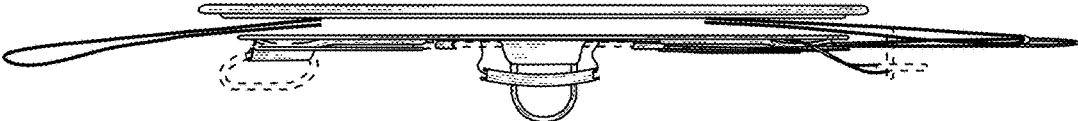


FIG. 13

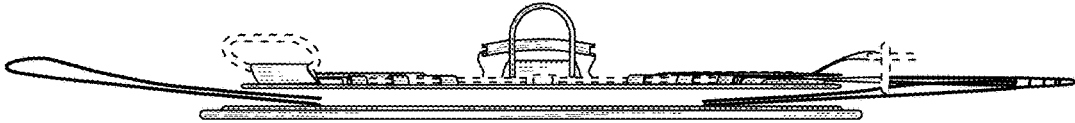


FIG. 14



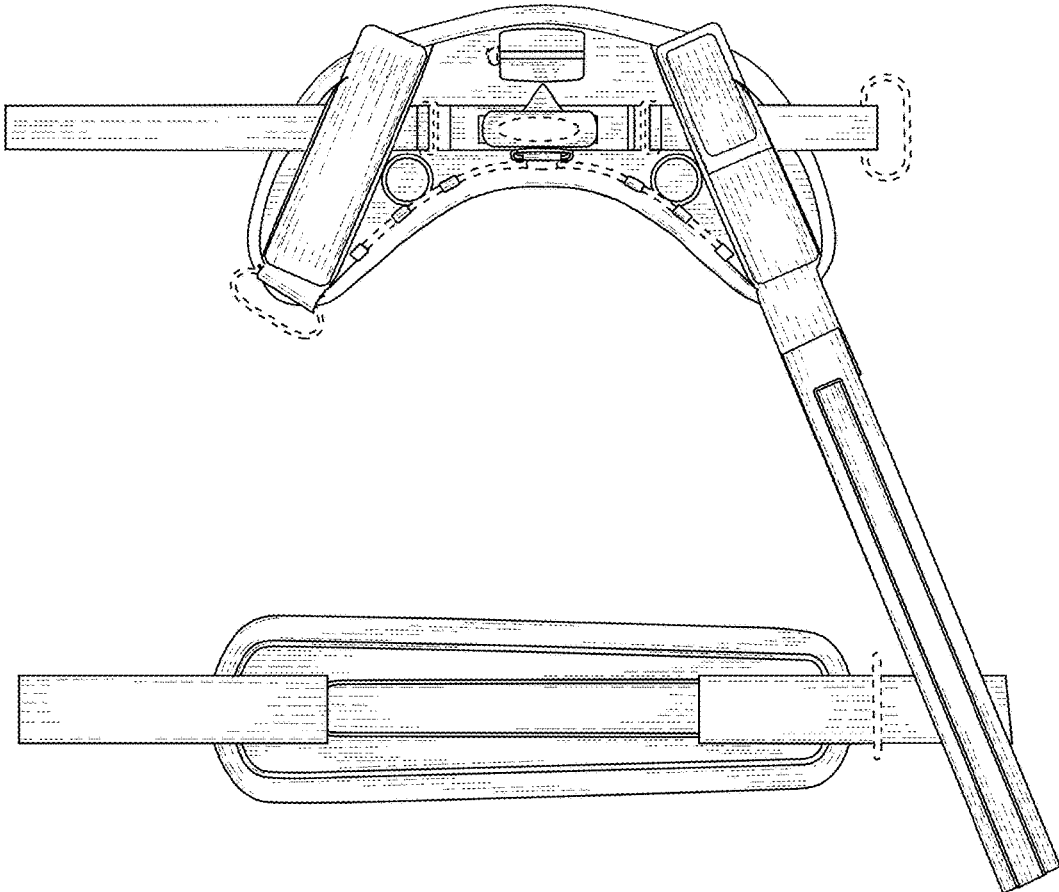


FIG. 15

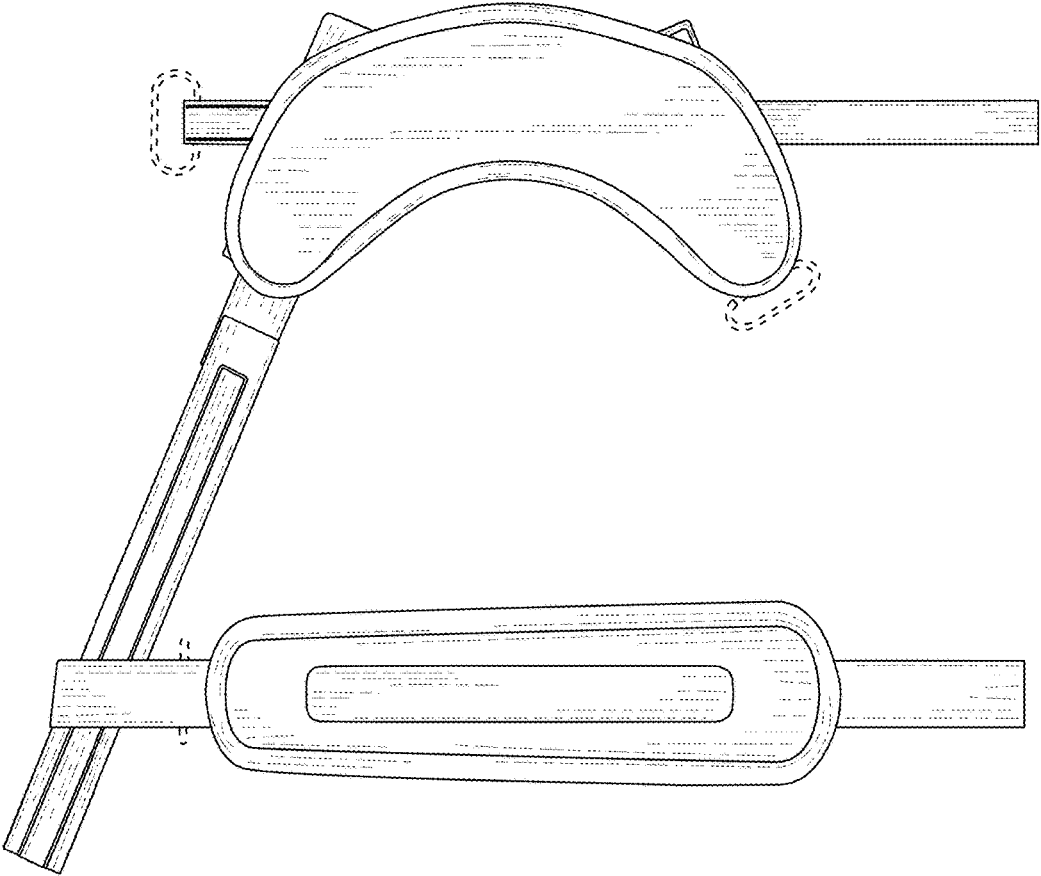


FIG. 16

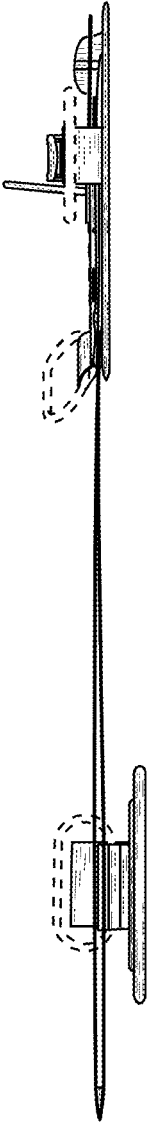


FIG. 17



FIG. 18