

(19) World Intellectual Property Organization
International Bureau



(43) International Publication Date
21 February 2008 (21.02.2008)

PCT

(10) International Publication Number
WO 2008/021261 A3

- (51) International Patent Classification:
G01V 11/00 (2006.01)
- (21) International Application Number:
PCT/US2007/017830
- (22) International Filing Date: 10 August 2007 (10.08.2007)
- (25) Filing Language: English
- (26) Publication Language: English
- (30) Priority Data:
60/837,009 11 August 2006 (11.08.2006) US
- (71) Applicant (for all designated States except US): **BAKER HUGHES INCORPORATED** [US/US]; P.O. Box 4740, Houston, TX 77027 (US).

AT, AU, AZ, BA, BB, BG, BH, BR, BW, BY, BZ, CA, CH, CN, CO, CR, CU, CZ, DE, DK, DM, DO, DZ, EC, EE, EG, ES, FI, GB, GD, GE, GH, GM, GT, HN, HR, HU, ID, IL, IN, IS, JP, KE, KG, KM, KN, KP, KR, KZ, LA, LC, LK, LR, LS, LT, LU, LY, MA, MD, ME, MG, MK, MN, MW, MX, MY, MZ, NA, NG, NI, NO, NZ, OM, PG, PH, PL, PT, RO, RS, RU, SC, SD, SE, SG, SK, SL, SM, SV, SY, TJ, TM, TN, TR, TT, TZ, UA, UG, US, UZ, VC, VN, ZA, ZM, ZW.

- (72) Inventor; and
- (75) Inventor/Applicant (for US only): **HENTATI, Nabil** [DE/FR]; 3, Mail des Catalpas, F-78180 Montigny le Bretonneux (FR).
- (74) Agents: **RIDDLE, Albert, J.** et al.; Baker Hughes Incorporated, P.O. Box 4740, Houston, TX 77027-4740 (US).
- (81) Designated States (unless otherwise indicated, for every kind of national protection available): AE, AG, AL, AM,

- (84) Designated States (unless otherwise indicated, for every kind of regional protection available): ARIPO (BW, GH, GM, KE, LS, MW, MZ, NA, SD, SL, SZ, TZ, UG, ZM, ZW), Eurasian (AM, AZ, BY, KG, KZ, MD, RU, TJ, TM), European (AT, BE, BG, CH, CY, CZ, DE, DK, EE, ES, FI, FR, GB, GR, HU, IE, IS, IT, LT, LU, LV, MC, MT, NL, PL, PT, RO, SE, SI, SK, TR), OAPI (BF, BJ, CF, CG, CI, CM, GA, GN, GQ, GW, ML, MR, NE, SN, TD, TG).

Published:
— with international search report
— before the expiration of the time limit for amending the claims and to be republished in the event of receipt of amendments

- (88) Date of publication of the international search report:
18 June 2009

(54) Title: PRESSURE WAVE DECOUPLING WITH TWO TRANSDUCERS

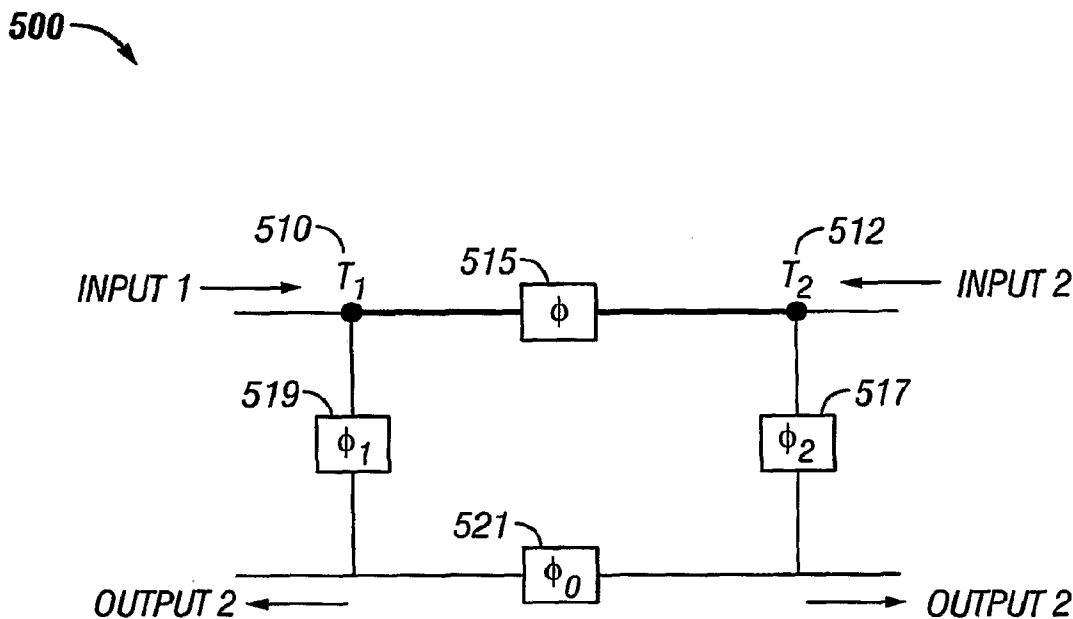


Fig. 5

(57) Abstract: A telemetry system for communication in a borehole uses two spaced-apart transducers. The outputs from the two transducers are filtered to decoupled tool signals traveling in opposite directions. One of the two signals may be it telemetry signal while other signal may be pump noise.

WO 2008/021261 A3

INTERNATIONAL SEARCH REPORT

International application No
PCT/US2007/017830

A. CLASSIFICATION OF SUBJECT MATTER
INV. G01V11/00

According to International Patent Classification (IPC) or to both national classification and IPC

B. FIELDS SEARCHED

Minimum documentation searched (classification system followed by classification symbols)
G01V E21B

Documentation searched other than minimum documentation to the extent that such documents are included in the fields searched

Electronic data base consulted during the international search (name of data base and, where practical, search terms used)

EPO-Internal, WPI Data

C. DOCUMENTS CONSIDERED TO BE RELEVANT

Category*	Citation of document, with indication, where appropriate, of the relevant passages	Relevant to claim No.
X	US 2006/132327 A1 (RECKMANN HANNO [DE] ET AL) 22 June 2006 (2006-06-22) the whole document	1-18
X	US 3 747 059 A (GARCIA D) 17 July 1973 (1973-07-17) the whole document	1,9,17
X	WO 01/66912 A (SCHLUMBERGER TECHNOLOGY BV [NL]; PETROLEUM RES & DEV NV [NL]; SCHLUMBE) 13 September 2001 (2001-09-13) abstract; figures 3,5 page 9 - page 12	1,9,17
A	US 2006/098531 A1 (GARDNER WALLACE R [US] ET AL GARDNER WALLACE R [US] ET AL) 11 May 2006 (2006-05-11) abstract paragraphs [0026], [0027]; figure 2	1-18

Further documents are listed in the continuation of Box C.

See patent family annex.

* Special categories of cited documents :

- *A* document defining the general state of the art which is not considered to be of particular relevance
- *E* earlier document but published on or after the international filing date
- *L* document which may throw doubts on priority claim(s) or which is cited to establish the publication date of another citation or other special reason (as specified)
- *O* document referring to an oral disclosure, use, exhibition or other means
- *P* document published prior to the international filing date but later than the priority date claimed

- *T* later document published after the international filing date or priority date and not in conflict with the application but cited to understand the principle or theory underlying the invention
- *X* document of particular relevance; the claimed invention cannot be considered novel or cannot be considered to involve an inventive step when the document is taken alone
- *Y* document of particular relevance; the claimed invention cannot be considered to involve an inventive step when the document is combined with one or more other such documents, such combination being obvious to a person skilled in the art.
- * & * document member of the same patent family

Date of the actual completion of the international search

27 April 2009

Date of mailing of the international search report

07/05/2009

Name and mailing address of the ISA/
European Patent Office, P.B. 5818 Patentlaan 2
NL - 2280 HV Rijswijk
Tel. (+31-70) 340-2040,
Fax: (+31-70) 340-3016

Authorized officer

Vollmer, Thorsten

INTERNATIONAL SEARCH REPORT

Information on patent family members

International application No

PCT/US2007/017830

Patent document cited in search report	Publication date	Patent family member(s)	Publication date	
US 2006132327	A1	22-06-2006	CA 2591485 A1	29-06-2006
			GB 2437209 A	17-10-2007
			NO 20073164 B	26-06-2007
			US 2006132328 A1	22-06-2006
			WO 2006069060 A1	29-06-2006
US 3747059	A	17-07-1973	NONE	
WO 0166912	A	13-09-2001	AU 3759501 A	17-09-2001
			AU 3761501 A	17-09-2001
			EA 4467 B1	29-04-2004
			WO 0166911 A1	13-09-2001
			GB 2371582 A	31-07-2002
			NO 20024294 A	23-09-2002
			US 2003151522 A1	14-08-2003
			US 2003151978 A1	14-08-2003
US 2006098531	A1	11-05-2006	AU 2005305364 A1	18-05-2006
			CA 2580691 A1	18-05-2006
			GB 2432912 A	06-06-2007
			WO 2006052319 A1	18-05-2006