



US00D908659S

(12) **United States Design Patent**
Yang

(10) **Patent No.:** **US D908,659 S**

(45) **Date of Patent:** **** Jan. 26, 2021**

(54) **RECORD PLAYER**

(71) Applicant: **Shenzhen 1Byone Brothers Technology Co., Ltd., Shenzhen (CN)**

(72) Inventor: **Ruishi Yang, Shenzhen (CN)**

(**) Term: **15 Years**

(21) Appl. No.: **29/718,976**

(22) Filed: **Dec. 31, 2019**

(51) **LOC (13) Cl.** **14-01**

(52) **U.S. Cl.**
USPC **D14/202**

(58) **Field of Classification Search**
USPC D14/199–203, 261; 369/264–265
CPC B60R 11/02; B60K 37/04; B60K 37/06;
H04B 1/08; H04B 1/082; G11B 17/16;
G11B 23/00; G11B 19/16; G11B 33/02
See application file for complete search history.

(56) **References Cited**

U.S. PATENT DOCUMENTS

D220,368 S *	3/1971	Levow	D14/203
D238,394 S *	1/1976	Akazawa	D14/202
D241,574 S *	9/1976	Mukai et al.	D14/202
D247,488 S *	3/1978	Ohtomo	D14/202

D249,143 S *	8/1978	Ohtomo	D14/203
D250,333 S *	11/1978	Meunier	D14/203
D250,334 S *	11/1978	Meunier	D14/203
D252,393 S *	7/1979	Kashidaira	D14/203
D253,648 S *	12/1979	Ohtomo	D14/203
D803,182 S *	11/2017	Czaniecki	D14/203
D810,716 S *	2/2018	Yang	D14/203
D824,357 S *	7/2018	Ding	D14/202
D845,268 S *	4/2019	He	D14/202

* cited by examiner

Primary Examiner — Sandra L Morris

(74) *Attorney, Agent, or Firm* — Prakash Nama; Global IP Services, PLLC

(57) **CLAIM**

The ornamental design for a record player, as shown and described.

DESCRIPTION

FIG. 1 is a perspective view of a record player showing my new design;
FIG. 2 is a second perspective view thereof;
FIG. 3 is a front elevational view thereof;
FIG. 4 is a rear elevational view thereof;
FIG. 5 is a left side view thereof;
FIG. 6 is a right side view thereof;
FIG. 7 is a top plan view thereof; and,
FIG. 8 is a bottom plan view thereof.

1 Claim, 8 Drawing Sheets





Fig. 1

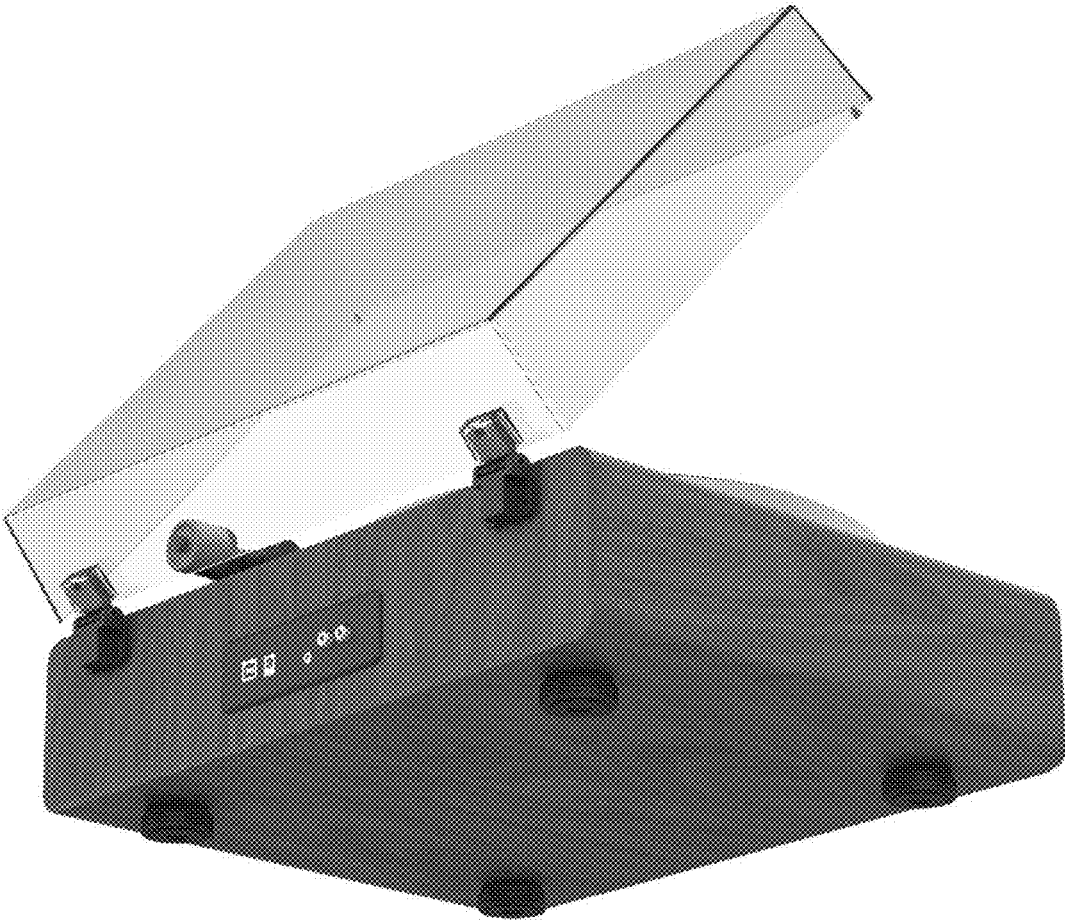


Fig. 2

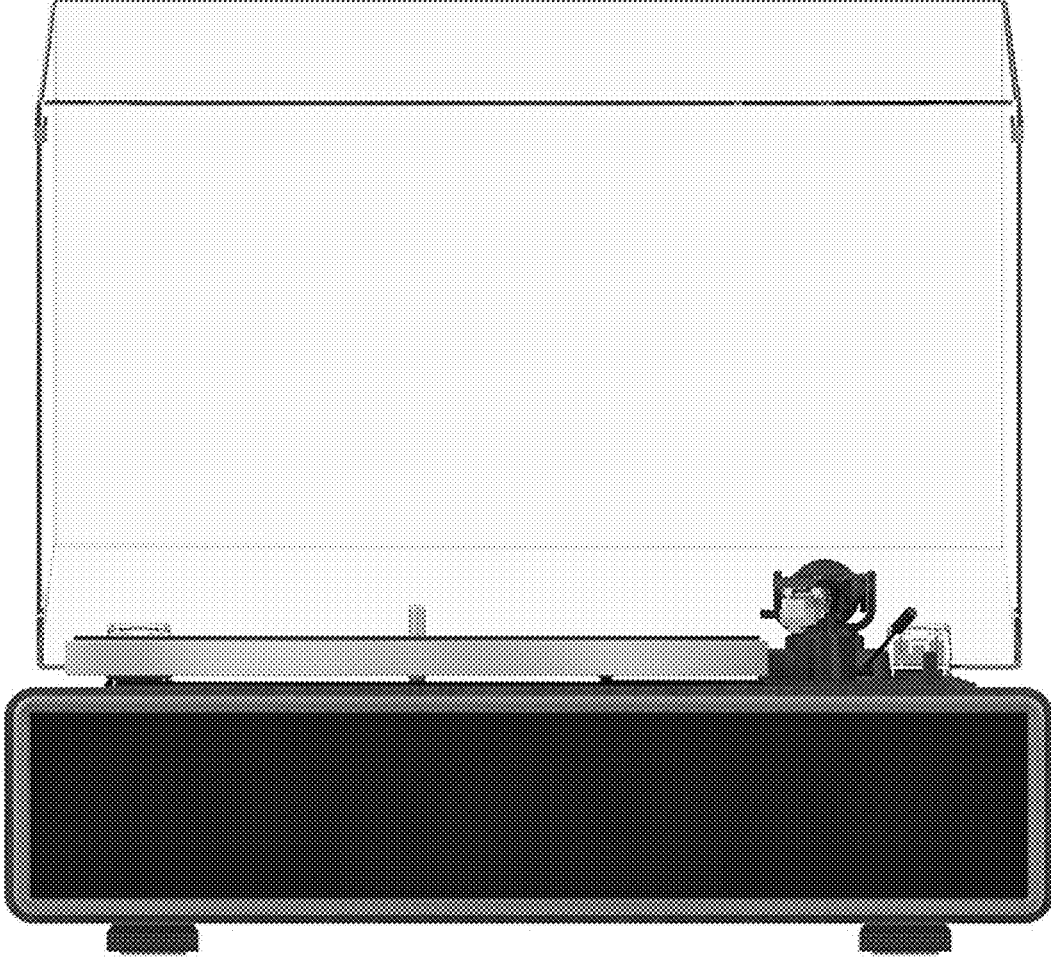


Fig. 3

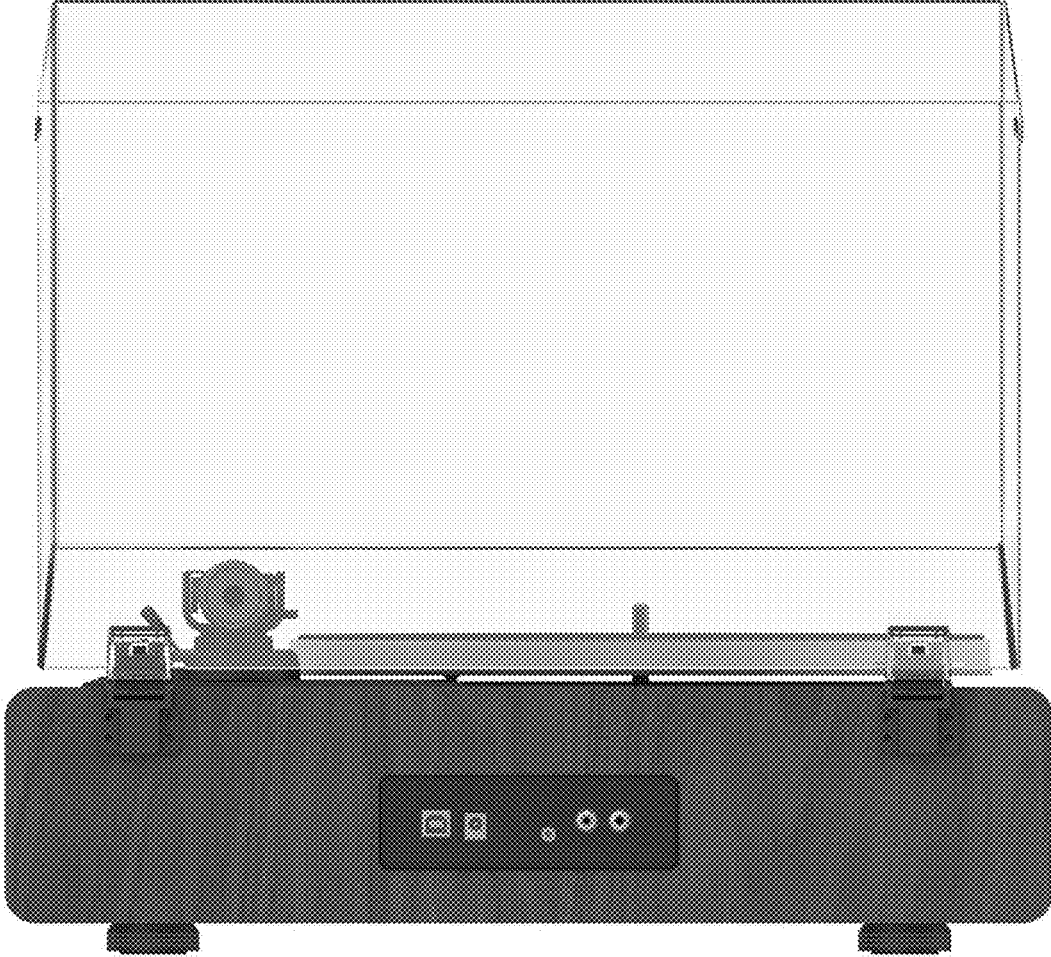


Fig. 4

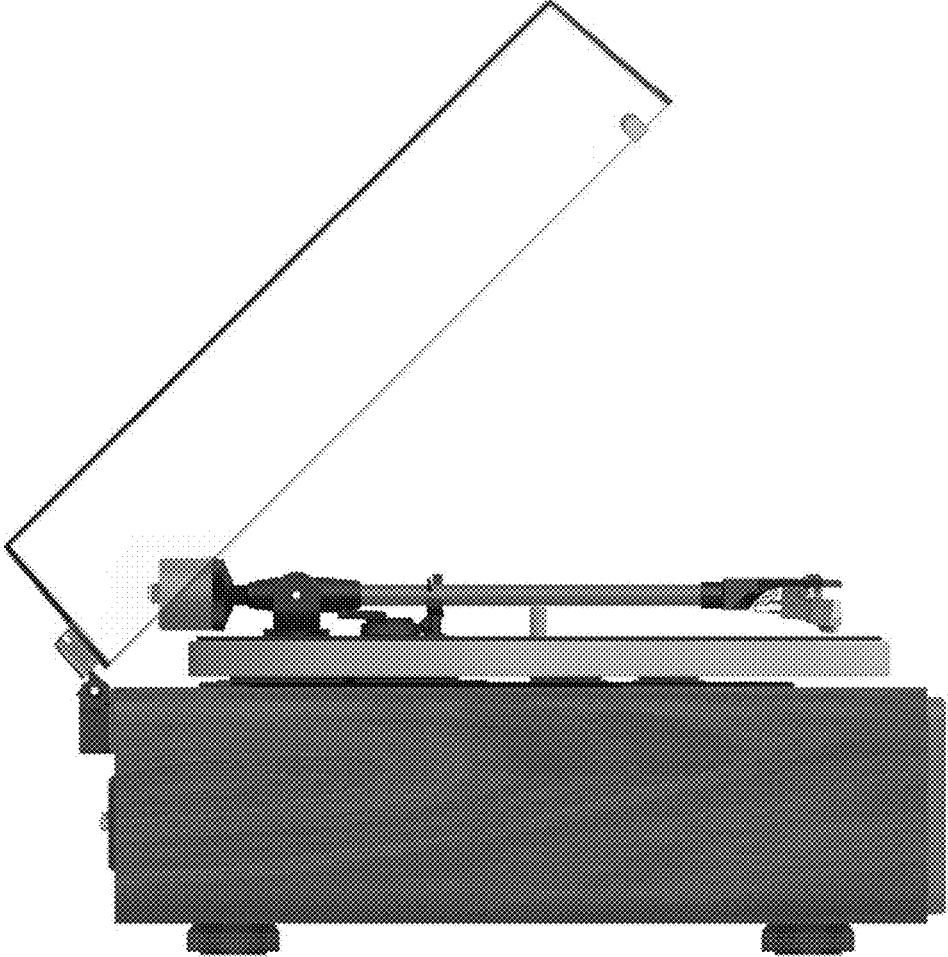


Fig. 5



Fig. 6

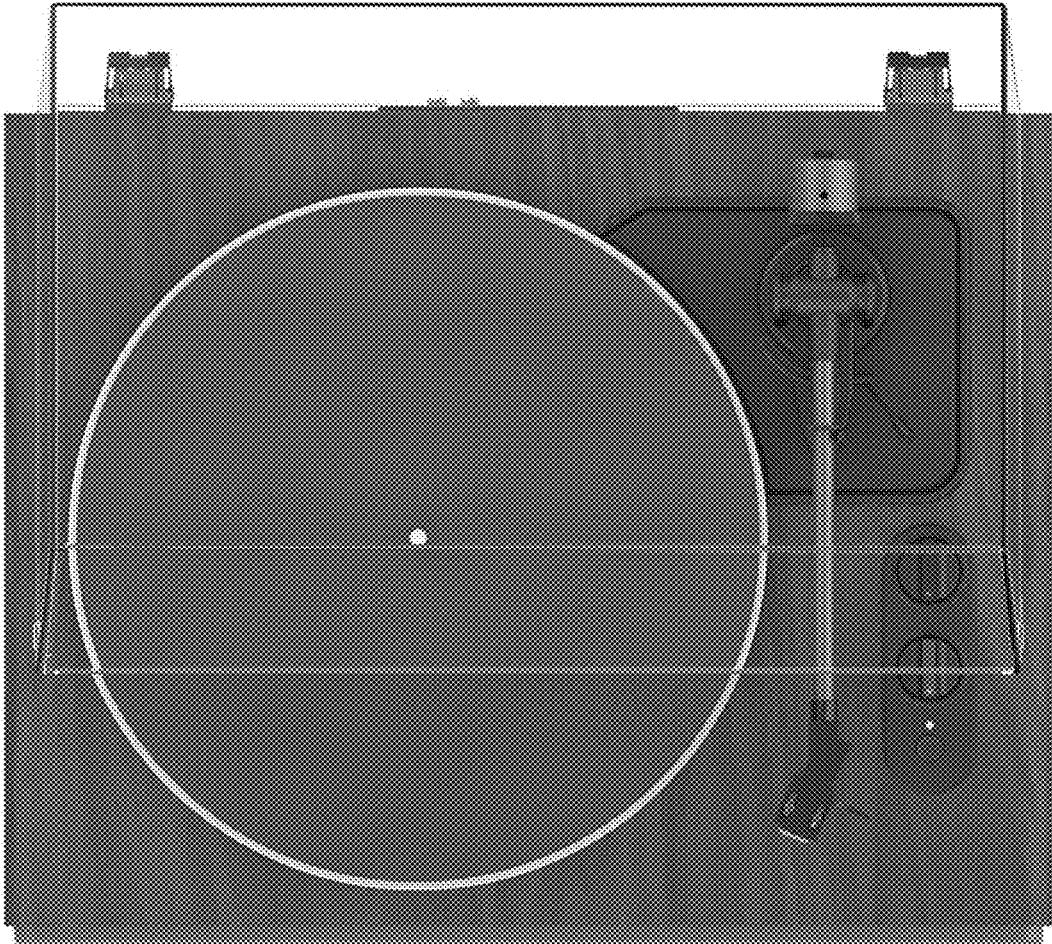


Fig. 7

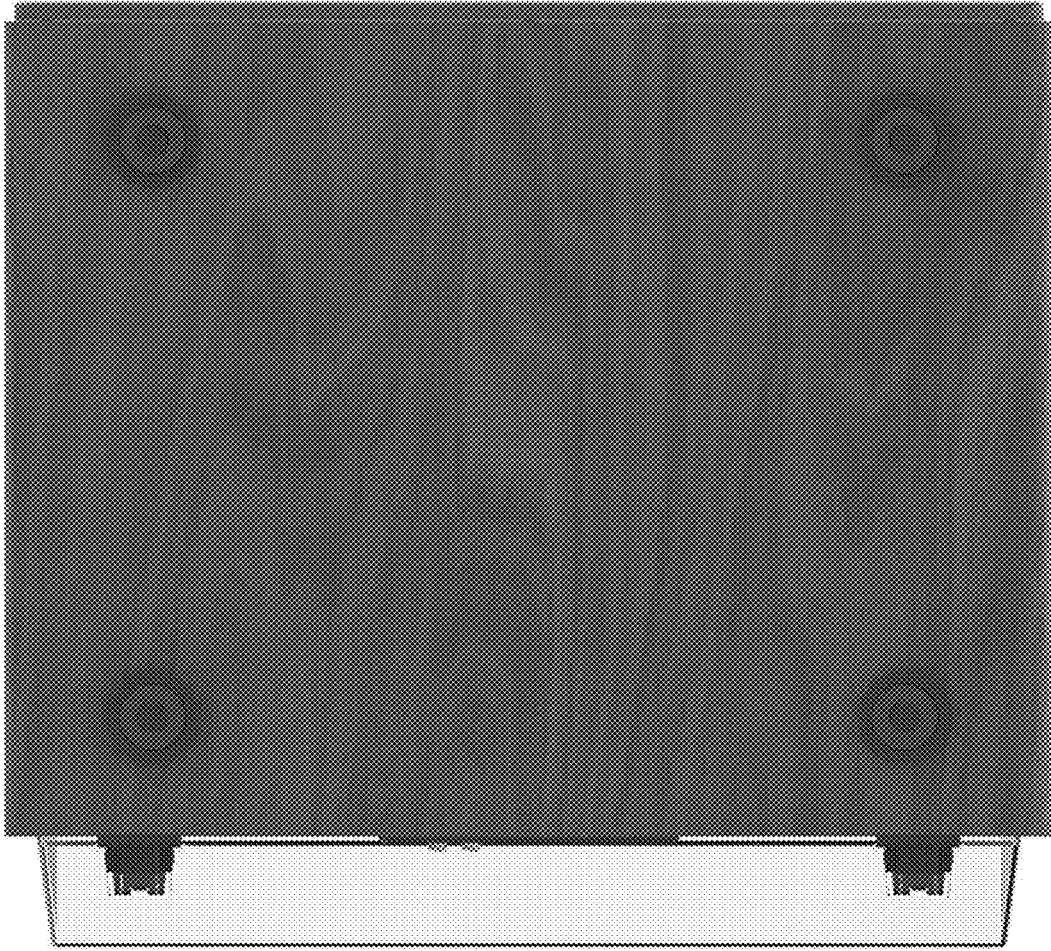


Fig. 8