

(19) World Intellectual Property Organization
International Bureau



(43) International Publication Date
1 April 2004 (01.04.2004)

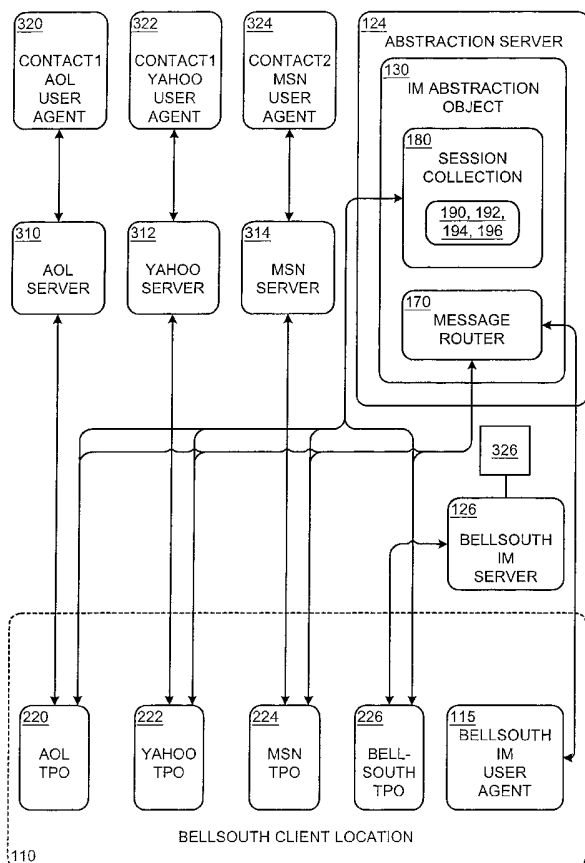
PCT

(10) International Publication Number
WO 2004/027561 A3

- (51) International Patent Classification⁷: **G06F 15/16**
- (21) International Application Number: PCT/US2003/029225
- (22) International Filing Date: 15 September 2003 (15.09.2003)
- (25) Filing Language: English
- (26) Publication Language: English
- (30) Priority Data:
 - 60/411,336 17 September 2002 (17.09.2002) US
 - 60/419,613 17 October 2002 (17.10.2002) US
 - 10/274,408 18 October 2002 (18.10.2002) US
- (71) Applicant: **BELLSOUTH INTELLECTUAL PROPERTY CORPORATION** [US/US]; 824 Market Street, Suite 901, Wilmington, DE 19801 (US).
- (72) Inventors: **DANIELL, William, Todd**; 900 Crossfire Ridge, N.W., Marietta, GA 30064 (US). **FRIEDMAN, Lee, G.**; 10615 Timberstone Road, Alpharetta, GA 30022 (US). **KENT, Larry Graham, Jr.**; 1144 Granite Lane, Loganville, GA 30052 (US). **DAVIS, Joel, A.**; 413 Water Oak Way, Marietta, GA 30008 (US). **DAIGLE, Brian, Keith**; 2533 Boxbourne Ct., Marietta, GA 30067 (US).
- (74) Agent: **KUESTER, Jeffrey, R.**; Thomas, Kayden, Horstemeier & Risley, LLP, 100 Galleria Parkway, N.W., Suite 1750, Atlanta, GA 30339-5948 (US).
- (81) Designated States (*national*): AE, AG, AL, AM, AT, AU, AZ, BA, BB, BG, BR, BY, BZ, CA, CH, CN, CO, CR, CU, CZ, DE, DK, DM, DZ, EC, EE, EG, ES, FI, GB, GD, GE, GH, GM, HR, HU, ID, IL, IN, IS, JP, KE, KG, KP, KR, KZ, LC, LK, LR, LS, LT, LU, LV, MA, MD, MG, MK, MN, MW, MX, MZ, NI, NO, NZ, OM, PG, PH, PL, PT, RO, RU, SC, SD, SE, SG, SK, SL, SY, TJ, TM, TN, TR, TT, TZ, UA, UG, UZ, VC, VN, YU, ZA, ZM, ZW.

[Continued on next page]

(54) Title: CLIENT-BASED MESSAGE PROTOCOL TRANSLATION



(57) Abstract: A system and method are presented in which a plurality of transport protocol objects (TPOs) (220, 221, 222, 223, 224, 225, 226 and 227) are instantiated at an IM user agent (115). In one embodiment, each of the plurality of TPOs (220, 221, 222, 223, 224, 225, 226, and 227) is adapted to provide a translation between a first IM protocol and a different IM protocol.

WO 2004/027561 A3



(84) Designated States (regional): ARIPO patent (GH, GM, KE, LS, MW, MZ, SD, SL, SZ, TZ, UG, ZM, ZW), Eurasian patent (AM, AZ, BY, KG, KZ, MD, RU, TJ, TM), European patent (AT, BE, BG, CH, CY, CZ, DE, DK, EE, ES, FI, FR, GB, GR, HU, IE, IT, LU, MC, NL, PT, RO, SE, SI, SK, TR), OAPI patent (BF, BJ, CF, CG, CI, CM, GA, GN, GQ, GW, ML, MR, NE, SN, TD, TG).

— *before the expiration of the time limit for amending the claims and to be republished in the event of receipt of amendments*

(88) Date of publication of the international search report:
29 July 2004

Published:

— *with international search report*

For two-letter codes and other abbreviations, refer to the "Guidance Notes on Codes and Abbreviations" appearing at the beginning of each regular issue of the PCT Gazette.

INTERNATIONAL SEARCH REPORT

International application No.

PCT/US03/29225

<p>A. CLASSIFICATION OF SUBJECT MATTER IPC(7) : G06F 15/16 US CL : 709/230 According to International Patent Classification (IPC) or to both national classification and IPC</p>													
<p>B. FIELDS SEARCHED Minimum documentation searched (classification system followed by classification symbols) U.S. : 709/230,206</p> <p>Documentation searched other than minimum documentation to the extent that such documents are included in the fields searched www.trillian.cc, Jabber.org</p> <p>Electronic data base consulted during the international search (name of data base and, where practicable, search terms used)</p>													
<p>C. DOCUMENTS CONSIDERED TO BE RELEVANT</p> <table border="1"> <thead> <tr> <th>Category *</th> <th>Citation of document, with indication, where appropriate, of the relevant passages</th> <th>Relevant to claim No.</th> </tr> </thead> <tbody> <tr> <td>X,P ---</td> <td>US 6,549,937 B1 (Auerbach et al.) 15 april 2003 column 2 lines 24-67,</td> <td>1-11,15,19, and 20 -----</td> </tr> <tr> <td>Y,P</td> <td>column 3 lines 30-46, column 4 lines 51-67 - column 5 ines 1-10, column 6 lines 14-28 and lines 43-67, column 7 linEs 17-28, column 8 lines 1-38, column 10 lines 30-67, column 12 lines 20-40, figure 2, figure 3.</td> <td>12-14, 16-18</td> </tr> <tr> <td>Y</td> <td>Jabber.org, 13 May 2001, Peter Saint-Andre, "Jabber FAQ" FAQ. 1.1 p. 2, FAQ.1.7 p. 3, FAQ.3.4 p.6, "Jabber user guide communication with AIM" p.33-35</td> <td>12-14, 16-18</td> </tr> </tbody> </table>		Category *	Citation of document, with indication, where appropriate, of the relevant passages	Relevant to claim No.	X,P ---	US 6,549,937 B1 (Auerbach et al.) 15 april 2003 column 2 lines 24-67,	1-11,15,19, and 20 -----	Y,P	column 3 lines 30-46, column 4 lines 51-67 - column 5 ines 1-10, column 6 lines 14-28 and lines 43-67, column 7 linEs 17-28, column 8 lines 1-38, column 10 lines 30-67, column 12 lines 20-40, figure 2, figure 3.	12-14, 16-18	Y	Jabber.org, 13 May 2001, Peter Saint-Andre, "Jabber FAQ" FAQ. 1.1 p. 2, FAQ.1.7 p. 3, FAQ.3.4 p.6, "Jabber user guide communication with AIM" p.33-35	12-14, 16-18
Category *	Citation of document, with indication, where appropriate, of the relevant passages	Relevant to claim No.											
X,P ---	US 6,549,937 B1 (Auerbach et al.) 15 april 2003 column 2 lines 24-67,	1-11,15,19, and 20 -----											
Y,P	column 3 lines 30-46, column 4 lines 51-67 - column 5 ines 1-10, column 6 lines 14-28 and lines 43-67, column 7 linEs 17-28, column 8 lines 1-38, column 10 lines 30-67, column 12 lines 20-40, figure 2, figure 3.	12-14, 16-18											
Y	Jabber.org, 13 May 2001, Peter Saint-Andre, "Jabber FAQ" FAQ. 1.1 p. 2, FAQ.1.7 p. 3, FAQ.3.4 p.6, "Jabber user guide communication with AIM" p.33-35	12-14, 16-18											
<p><input type="checkbox"/> Further documents are listed in the continuation of Box C. <input type="checkbox"/> See patent family annex.</p>													
<p>* Special categories of cited documents:</p> <table border="0"> <tr> <td>"A" document defining the general state of the art which is not considered to be of particular relevance</td> <td>"T" later document published after the international filing date or priority date and not in conflict with the application but cited to understand the principle or theory underlying the invention</td> </tr> <tr> <td>"E" earlier application or patent published on or after the international filing date</td> <td>"X" document of particular relevance; the claimed invention cannot be considered novel or cannot be considered to involve an inventive step when the document is taken alone</td> </tr> <tr> <td>"L" document which may throw doubts on priority claim(s) or which is cited to establish the publication date of another citation or other special reason (as specified)</td> <td>"Y" document of particular relevance; the claimed invention cannot be considered to involve an inventive step when the document is combined with one or more other such documents, such combination being obvious to a person skilled in the art</td> </tr> <tr> <td>"O" document referring to an oral disclosure, use, exhibition or other means</td> <td>"&" document member of the same patent family</td> </tr> <tr> <td>"P" document published prior to the international filing date but later than the priority date claimed</td> <td></td> </tr> </table>		"A" document defining the general state of the art which is not considered to be of particular relevance	"T" later document published after the international filing date or priority date and not in conflict with the application but cited to understand the principle or theory underlying the invention	"E" earlier application or patent published on or after the international filing date	"X" document of particular relevance; the claimed invention cannot be considered novel or cannot be considered to involve an inventive step when the document is taken alone	"L" document which may throw doubts on priority claim(s) or which is cited to establish the publication date of another citation or other special reason (as specified)	"Y" document of particular relevance; the claimed invention cannot be considered to involve an inventive step when the document is combined with one or more other such documents, such combination being obvious to a person skilled in the art	"O" document referring to an oral disclosure, use, exhibition or other means	"&" document member of the same patent family	"P" document published prior to the international filing date but later than the priority date claimed			
"A" document defining the general state of the art which is not considered to be of particular relevance	"T" later document published after the international filing date or priority date and not in conflict with the application but cited to understand the principle or theory underlying the invention												
"E" earlier application or patent published on or after the international filing date	"X" document of particular relevance; the claimed invention cannot be considered novel or cannot be considered to involve an inventive step when the document is taken alone												
"L" document which may throw doubts on priority claim(s) or which is cited to establish the publication date of another citation or other special reason (as specified)	"Y" document of particular relevance; the claimed invention cannot be considered to involve an inventive step when the document is combined with one or more other such documents, such combination being obvious to a person skilled in the art												
"O" document referring to an oral disclosure, use, exhibition or other means	"&" document member of the same patent family												
"P" document published prior to the international filing date but later than the priority date claimed													
<p>Date of the actual completion of the international search 02 June 2004 (02.06.2004)</p>	<p>Date of mailing of the international search report 21 JUN 2004</p>												
<p>Name and mailing address of the ISA/US Mail Stop PCT, Attn: ISA/US Commissioner for Patents P.O. Box 1450 Alexandria, Virginia 22313-1450 Facsimile No.</p>	<p>Authorized officer <i>Rupal D. Dharia</i> Rupal D. Dharia Telephone No. (703)305-3900</p>												