



US00D506280S

(12) **United States Design Patent** (10) **Patent No.:** **US D506,280 S**  
**Chen** (45) **Date of Patent:** **\*\* Jun. 14, 2005**

(54) **LAMP** D469,907 S 2/2003 Chen  
D469,908 S 2/2003 Chen  
(75) Inventor: **Chi-Gon Chen, Guang Zhou (CN)** D469,909 S 2/2003 Chen  
D483,138 S 12/2003 Chen  
(73) Assignee: **International Development** D484,630 S 12/2003 Chen  
**Corporation, Southlake, TX (US)** D484,631 S 12/2003 Chen  
D485,000 S 1/2004 Chen  
(\*\*) Term: **14 Years** D485,001 S 1/2004 Chen  
D485,930 S 1/2004 Chen  
(21) Appl. No.: **29/193,631** D499,831 S \* 12/2004 Chen ..... D26/68  
D500,159 S \* 12/2004 Chen ..... D26/68  
(22) Filed: **Nov. 12, 2003** 2003/0081406 A1 \* 5/2003 Lin ..... 362/96

(51) **LOC (8) Cl.** ..... **26-05**  
(52) **U.S. Cl.** ..... **D26/67**  
(58) **Field of Search** ..... D26/67-72, 87,  
D26/92, 118; 362/152, 153, 153.1, 159,  
183, 266, 363, 431, 432

**FOREIGN PATENT DOCUMENTS**

CA 99516 6/2003  
CA 99517 6/2003  
CA 99518 6/2003  
CA 99519 6/2003

(56) **References Cited**  
**U.S. PATENT DOCUMENTS**

D106,031 S \* 9/1937 Gosling ..... D26/67  
D202,440 S \* 9/1965 Pettengill ..... D26/67  
D249,819 S \* 10/1978 Asaki ..... D26/67  
D326,728 S \* 6/1992 Layne ..... D26/67  
D329,099 S \* 9/1992 Hall et al. .... D26/67  
D346,873 S \* 5/1994 Frost ..... D26/67  
D391,384 S \* 2/1998 Lerch ..... D26/67  
D392,407 S \* 3/1998 Johnson et al. .... D26/67  
D421,316 S \* 2/2000 Fiorato ..... D26/74  
D445,209 S 7/2001 Chen  
D445,210 S 7/2001 Chen  
D445,524 S 7/2001 Chen  
D445,525 S 7/2001 Pan  
D445,939 S 7/2001 Pan  
D451,620 S 12/2001 Chen  
D452,029 S 12/2001 Chen  
D457,979 S 5/2002 Chen  
D464,158 S \* 10/2002 Hon Siu Cheong ..... D26/67  
D466,243 S 11/2002 Chen  
D468,470 S 1/2003 Chen  
D468,471 S 1/2003 Chen

\* cited by examiner

*Primary Examiner*—Clare E Heflin  
(74) *Attorney, Agent, or Firm*—Danamraj & Youst, P.C.;  
Kenneth T. Emanuelson

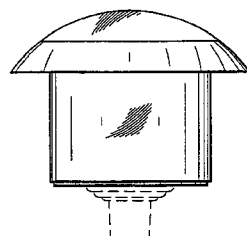
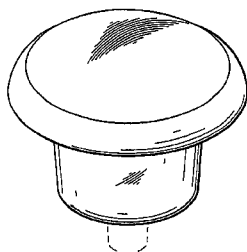
(57) **CLAIM**

The ornamental design for a lamp, as shown and described.

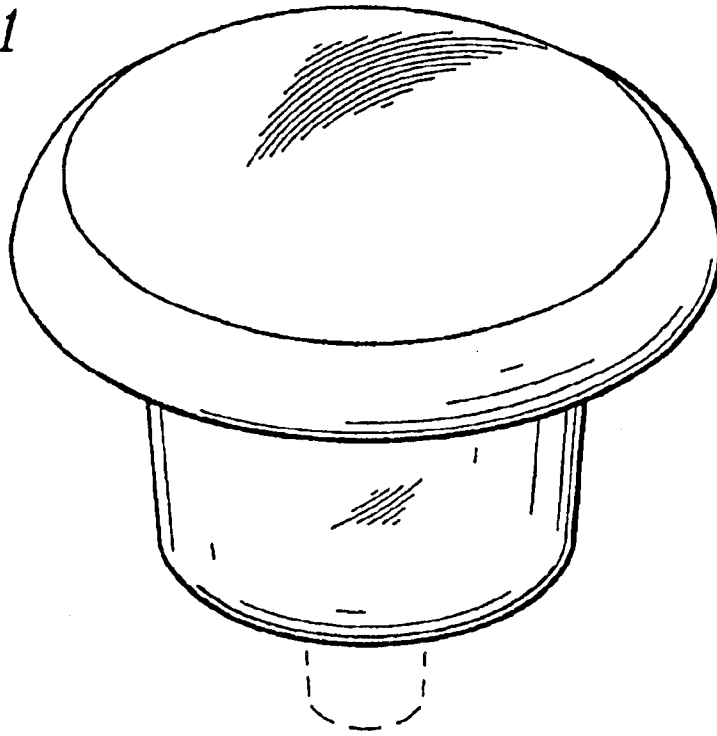
**DESCRIPTION**

FIG. 1 is a perspective view of the lamp of my new design; FIG. 2 is a front elevation view of the lamp with the rear elevation view being identical thereto; FIG. 3 is a right side elevation view of the lamp with the left side elevation view being identical thereto; FIG. 4 is a top plan view thereof; and, FIG. 5 is a bottom plan view thereof.  
The broken lines showing a base for the lamp are for illustrative purposes only and form no part of the claimed design.

**1 Claim, 2 Drawing Sheets**



*FIG. 1*



*FIG. 2*

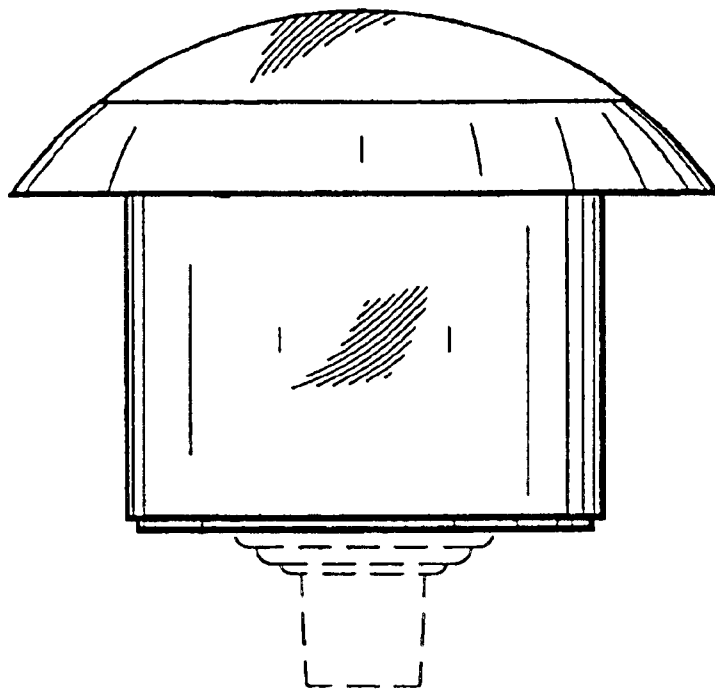


FIG. 4

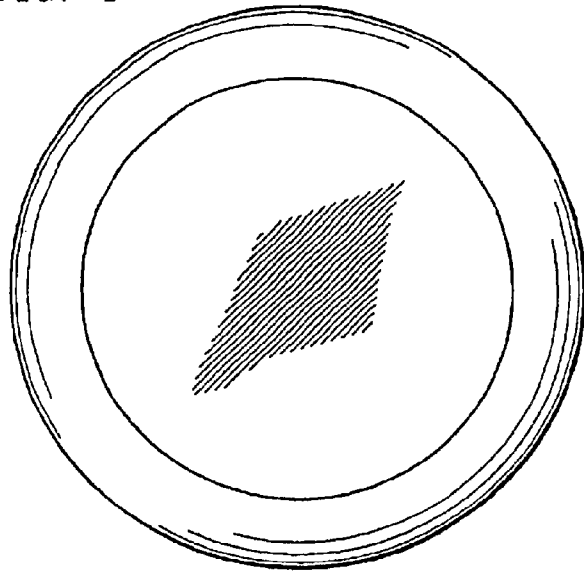


FIG. 3

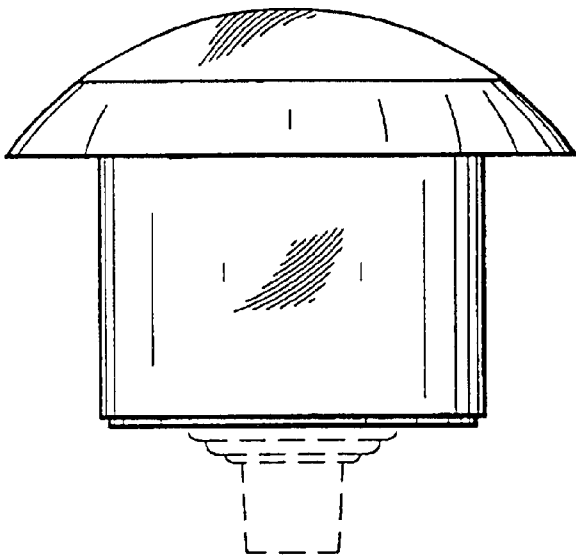


FIG. 5

