



US00D482447S

(12) **United States Design Patent** (10) **Patent No.:** **US D482,447 S**  
**Harding et al.** (45) **Date of Patent:** **\*\* Nov. 18, 2003**

(54) **NEEDLELESS LUER ACCESS PORT**

6,117,114 A \* 9/2000 Paradis ..... 604/246

(75) Inventors: **Weston F. Harding**, Lehi, UT (US);  
**Lawrence A. Lynn**, Worthington, OH (US); **Ralph L. Sonderegger**, Farmington, UT (US)

\* cited by examiner

*Primary Examiner*—Ian Simmons  
(74) *Attorney, Agent, or Firm*—James J. Murtha

(73) Assignee: **Becton Dickinson and Company**, Franklin Lakes, NJ (US)

(57) **CLAIM**

The ornamental design for a needleless luer access port, as shown.

(\*\*) Term: **14 Years**

**DESCRIPTION**

(21) Appl. No.: **29/167,575**

FIG. 1 is a top, right, front perspective view of the needleless luer access port of the instant invention;

(22) Filed: **Sep. 17, 2002**

FIG. 2 is a right side elevation view of the needleless luer access port of FIG. 1;

(51) **LOC (7) Cl.** ..... **24-02**

FIG. 3 is a front elevation view of the needleless luer access port of FIG. 1;

(52) **U.S. Cl.** ..... **D24/129**

FIG. 4 is a left elevation view of the needleless luer access port of FIG. 1;

(58) **Field of Search** ..... D24/129, 112;  
604/905, 256, 246, 83, 167.01, 167.02,  
167.03, 167.04, 533, 538, 539, 284

FIG. 5 is a rear elevation view of the needleless luer access port of FIG. 1;

(56) **References Cited**

FIG. 6 is a top view of the needleless luer access port of FIG. 1; and,

**U.S. PATENT DOCUMENTS**

FIG. 7 is a bottom view of the needleless luer access port of FIG. 1.

D323,889 S	*	2/1992	Wyatt et al.	.....	D24/129
5,300,034 A	*	4/1994	Behnke et al.	.....	604/167.02
5,632,735 A	*	5/1997	Wyatt et al.	.....	604/539
5,676,346 A	*	10/1997	Leinsing	.....	604/905

**1 Claim, 6 Drawing Sheets**

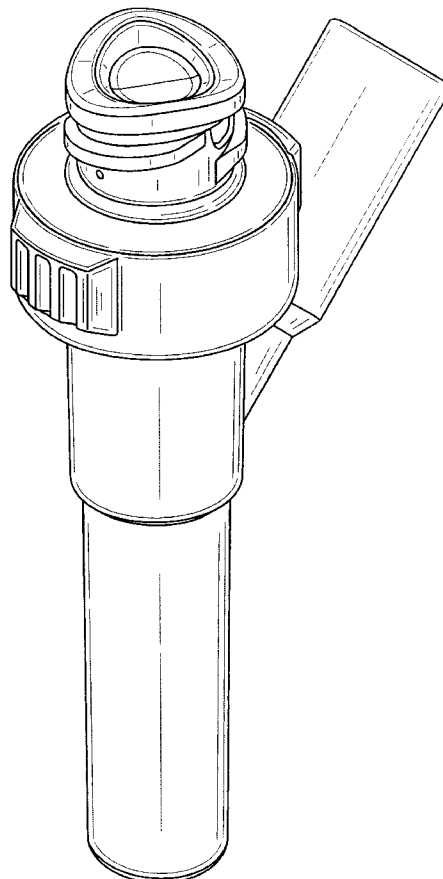


FIG. 1

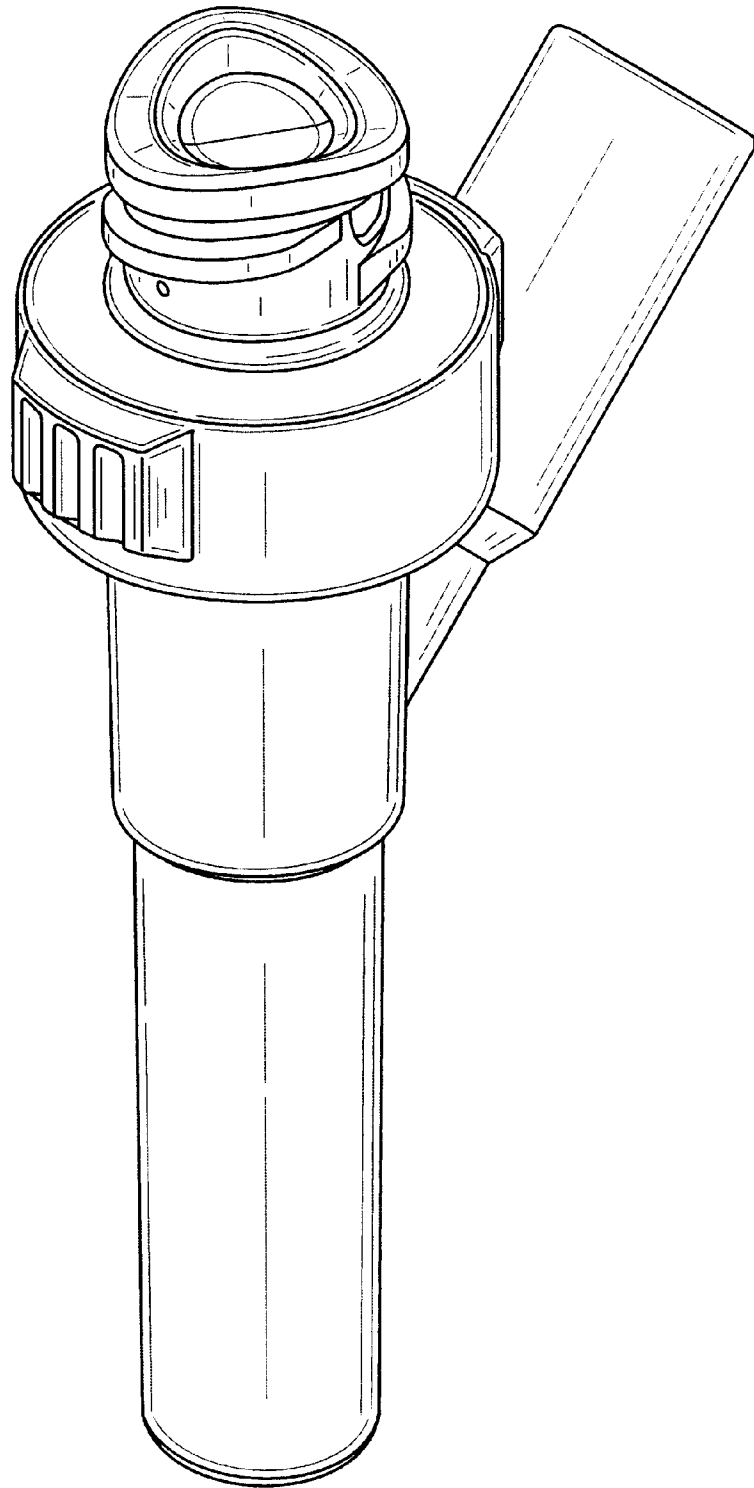


FIG. 2

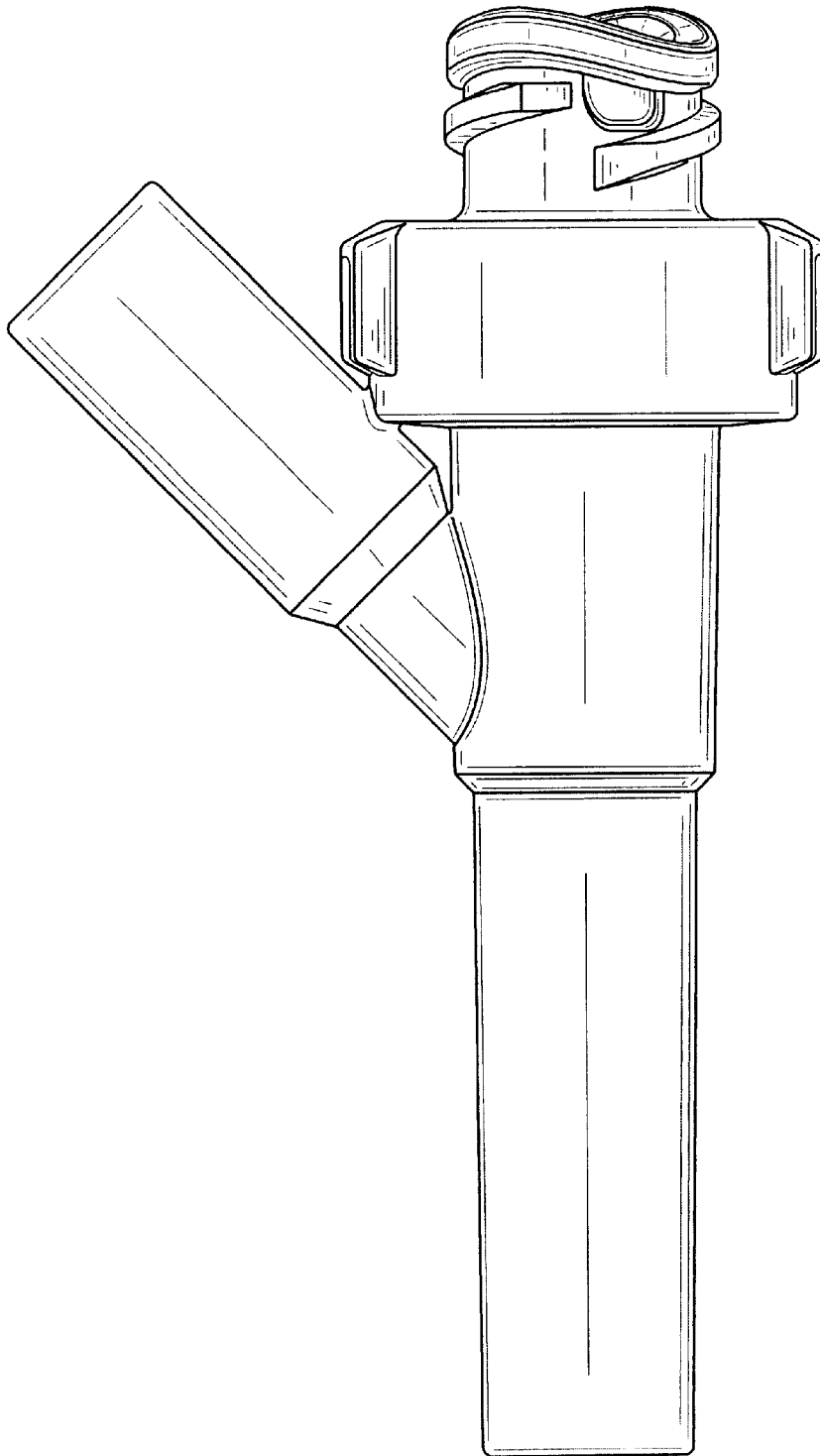


FIG. 3

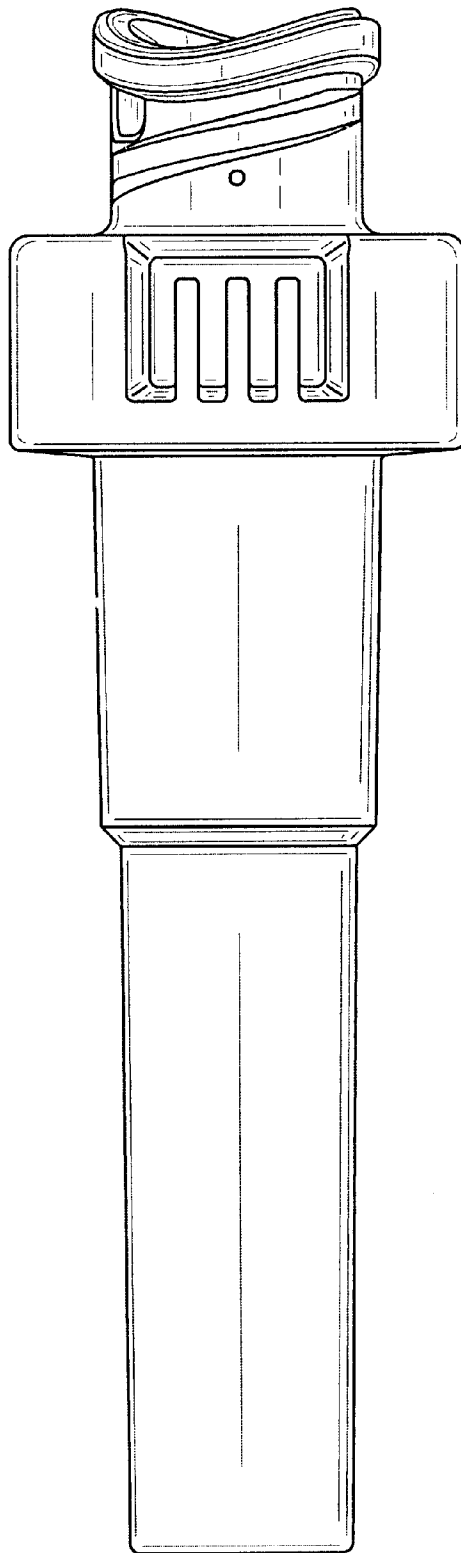


FIG. 4

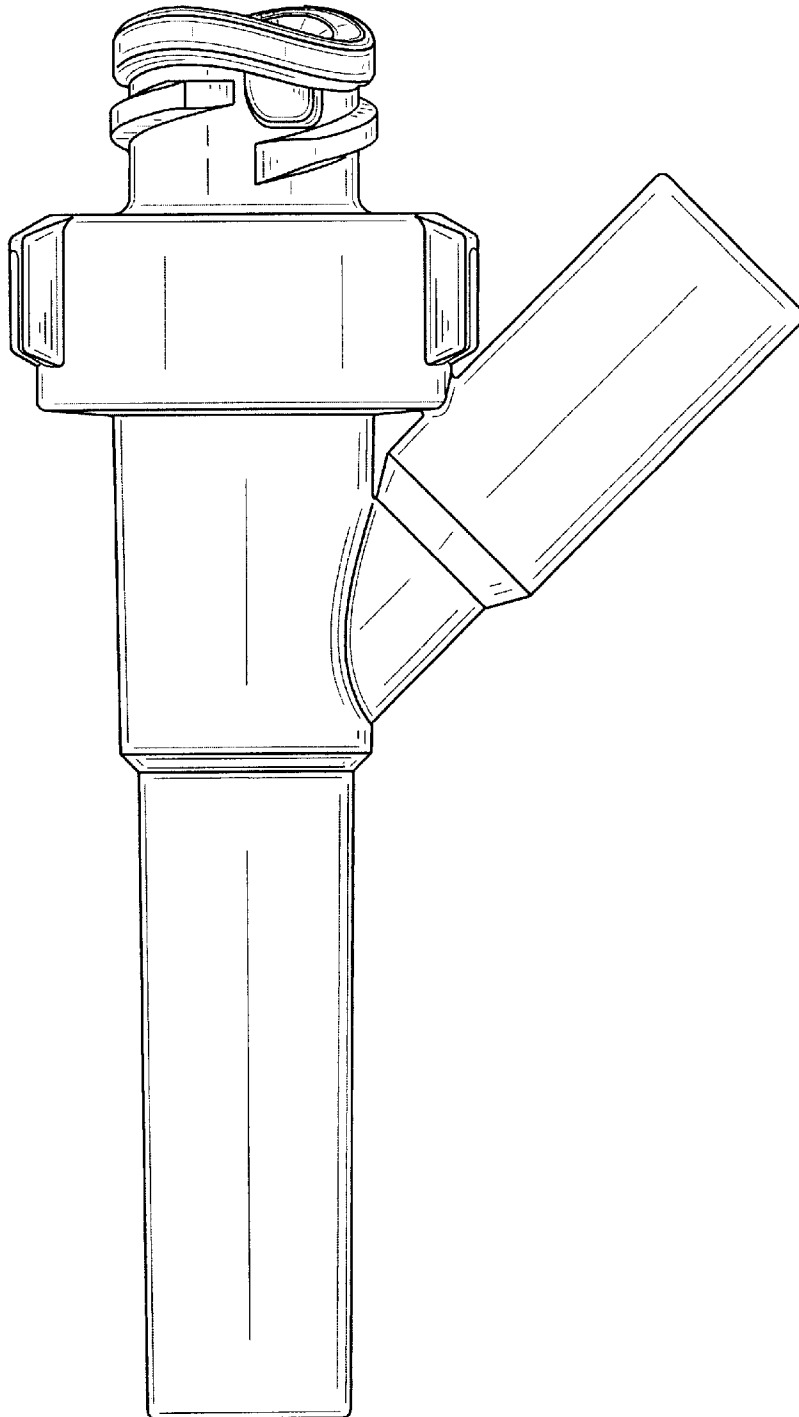


FIG. 5

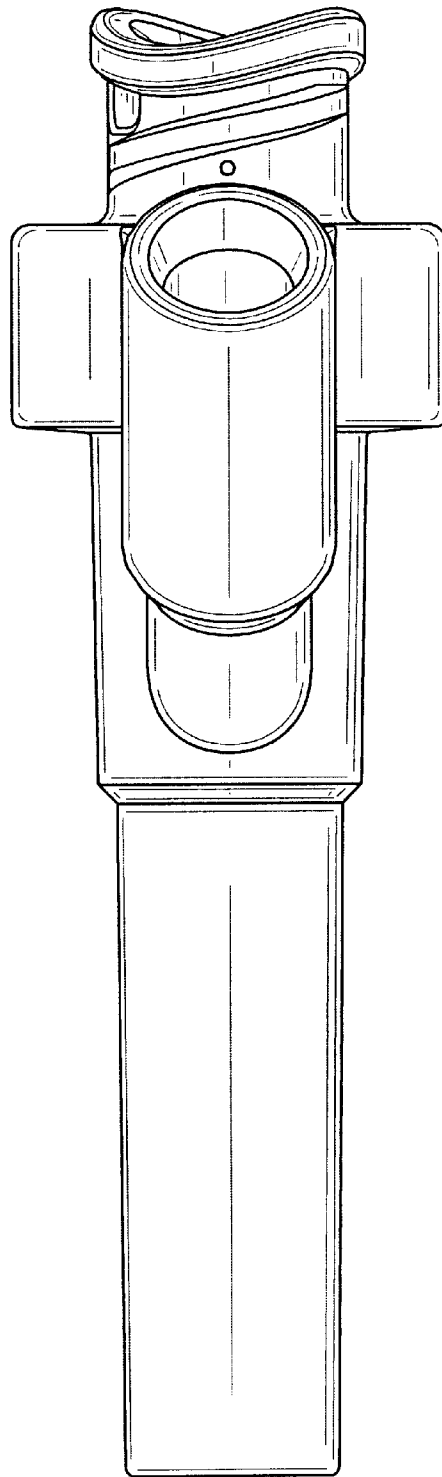


FIG. 6

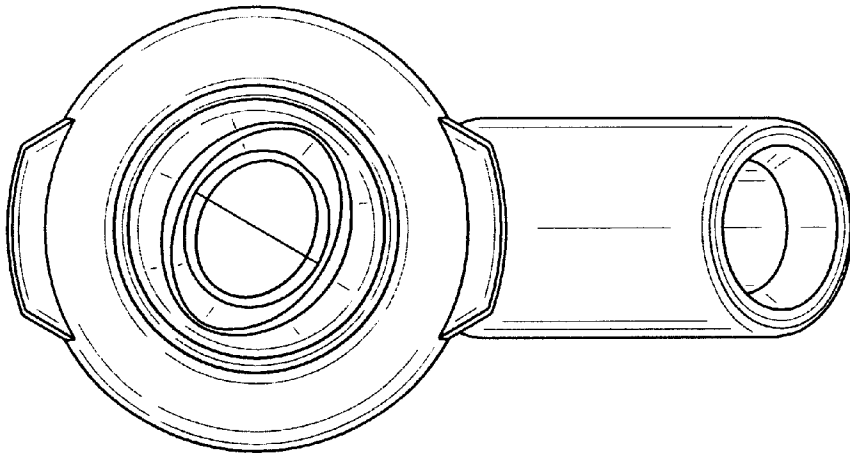


FIG. 7

