



US00D868976S

(12) **United States Design Patent** (10) **Patent No.:** **US D868,976 S**  
**Elazar et al.** (45) **Date of Patent:** **\*\* Dec. 3, 2019**

(54) **STAND FOR DENTAL INSTRUMENT** 5,385,468 A \* 1/1995 Verderber ..... A61G 15/16  
433/28  
(71) Applicant: **DENTAL SMARTMIRROR, INC.,** D415,280 S \* 10/1999 Coburn ..... D24/176  
Chicago, IL (US) D605,297 S \* 12/2009 Unsworth ..... D24/177  
D616,102 S \* 5/2010 Musgrave ..... D24/177  
8,096,807 B2 \* 1/2012 Benfield ..... A61G 15/16  
433/77  
(72) Inventors: **Gidon Oded Elazar, Cohav Yair (IL);** 9,629,532 B1 4/2017 Elazar et al.  
**Dan Zidkiahu Harkabi, Moshav** 2018/0184891 A1 7/2018 Elazar et al.  
**Lachish (IL); Eitan Sharif, Kibbutz** 2018/0263483 A1\* 9/2018 Elazar ..... A61B 1/247  
**Gesher Haziv (IL)**

(73) Assignee: **Dental Smartmirror, Inc.,** Chicago, IL (US)  
(\*\*) Term: **15 Years**

(21) Appl. No.: **29/648,561**  
(22) Filed: **May 22, 2018**  
(51) **LOC (12) Cl.** ..... **24-02**  
(52) **U.S. Cl.**  
USPC ..... **D24/177**  
(58) **Field of Classification Search**  
USPC ..... D24/176-178, 184-185, 127-128;  
D6/512, 534-536, 567; D8/354, 367,  
D8/373; 433/77, 229; 248/176.1, 310,  
248/309.1  
CPC ..... A61G 15/00; A61G 15/10; A61G 15/14;  
A61G 15/16  
See application file for complete search history.

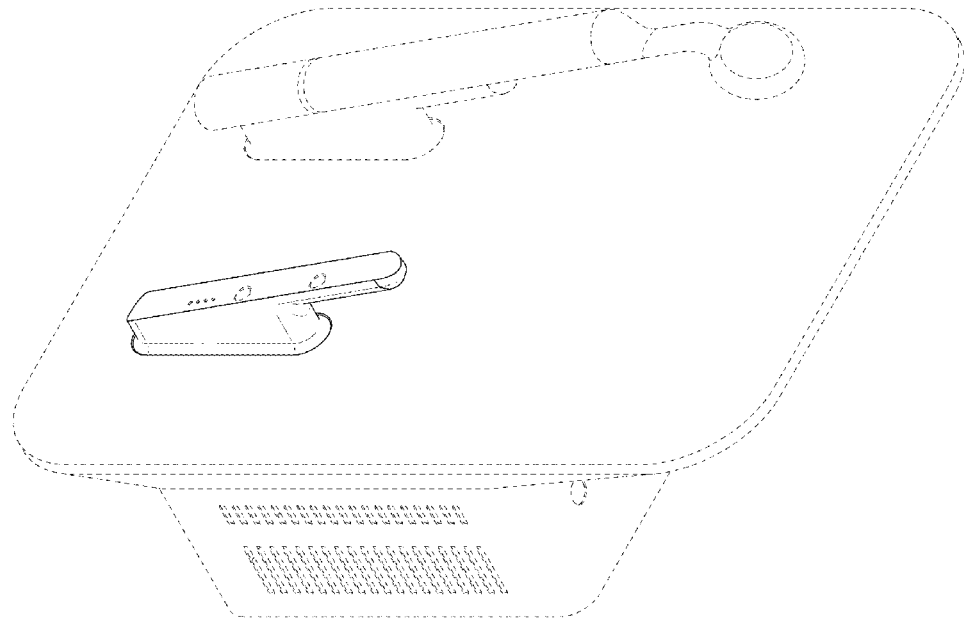
(56) **References Cited**  
**U.S. PATENT DOCUMENTS**  
D336,131 S \* 6/1993 Nordstrom ..... D24/128  
5,273,427 A \* 12/1993 Austin, Jr. .... A61G 15/16  
137/884  
D346,657 S \* 5/1994 LaPlante ..... D24/176

\* cited by examiner  
*Primary Examiner* — Wan Laymon  
(74) *Attorney, Agent, or Firm* — Sterne, Kessler,  
Goldstein & Fox P.L.L.C.

(57) **CLAIM**  
The ornamental design for a stand for dental instrument, as shown and described.

**DESCRIPTION**  
FIG. 1 is a perspective view of a stand for dental instrument showing the claimed design;  
FIG. 2 is a top view thereof  
FIG. 3 is a bottom view thereof;  
FIG. 4 is a left side view thereof  
FIG. 5 is a right side view thereof;  
FIG. 6 is a rear view thereof;  
FIG. 7 is a front view thereof; and,  
FIG. 8 is a perspective reference view of the stand for dental instrument of the present invention showing the claimed design in an environment in which it may be used.  
The broken lines in the figures show portions of the stand for dental instrument and environment that form no part of the claimed design.

**1 Claim, 7 Drawing Sheets**



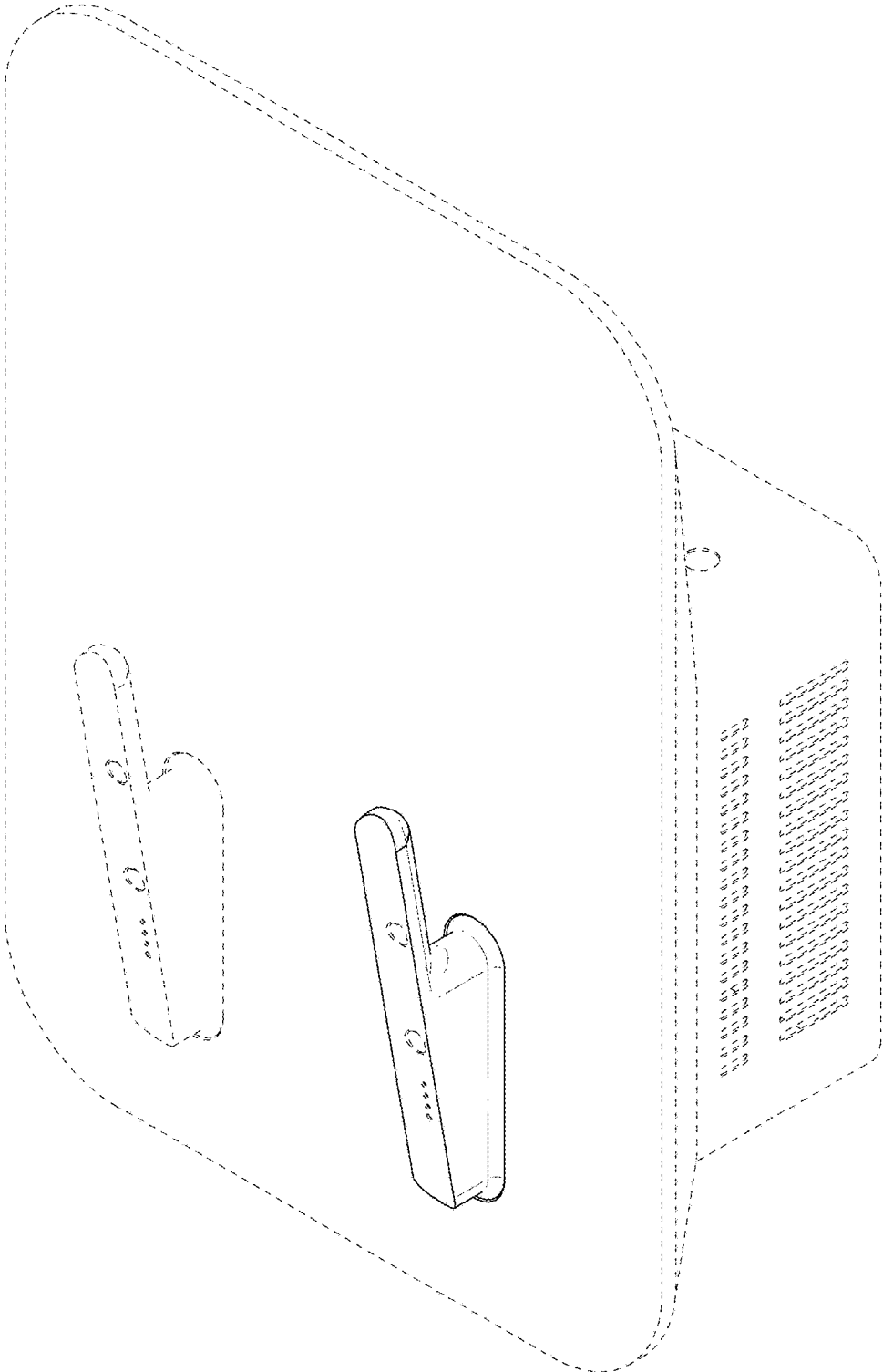


FIG. 1

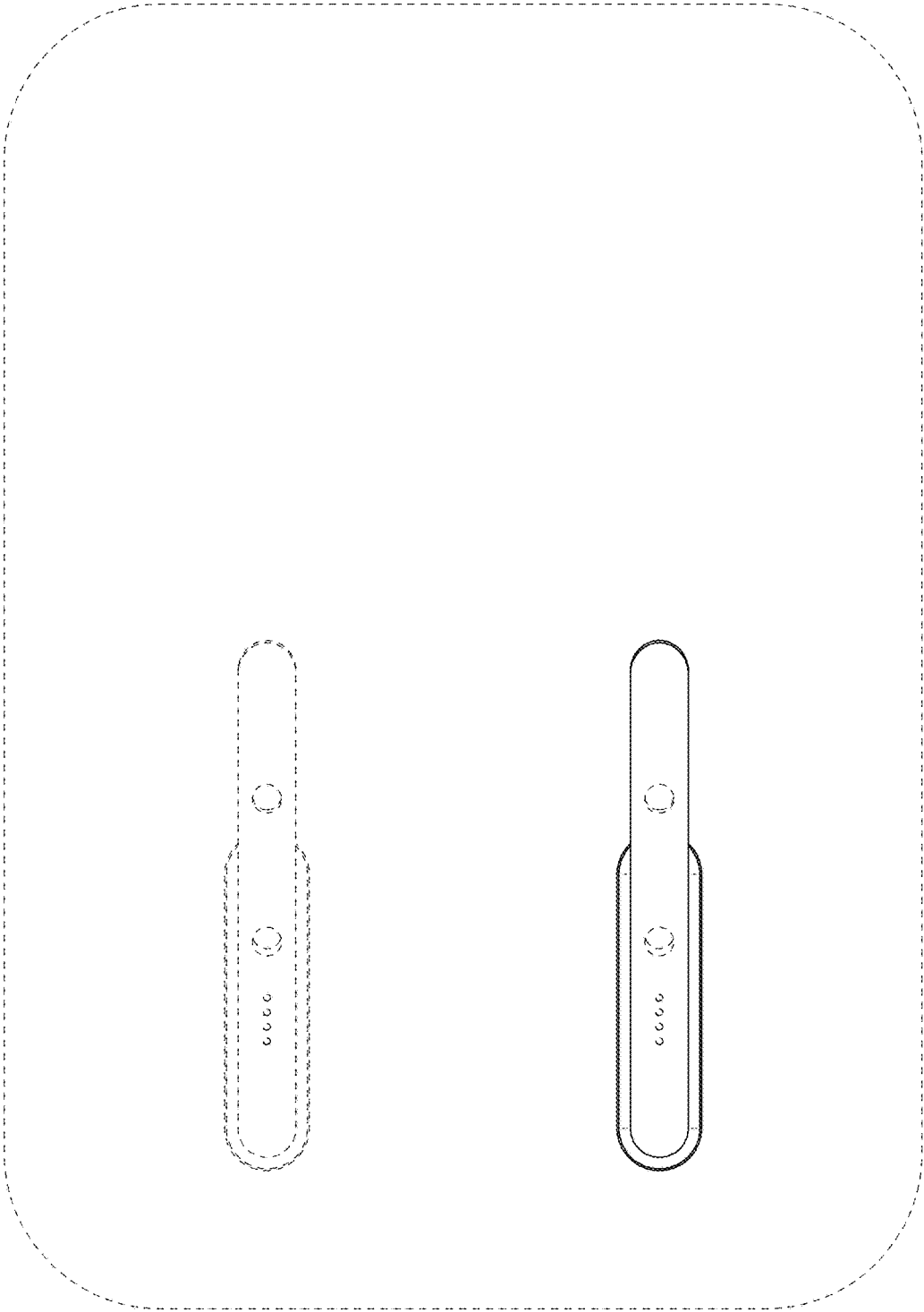


FIG. 2

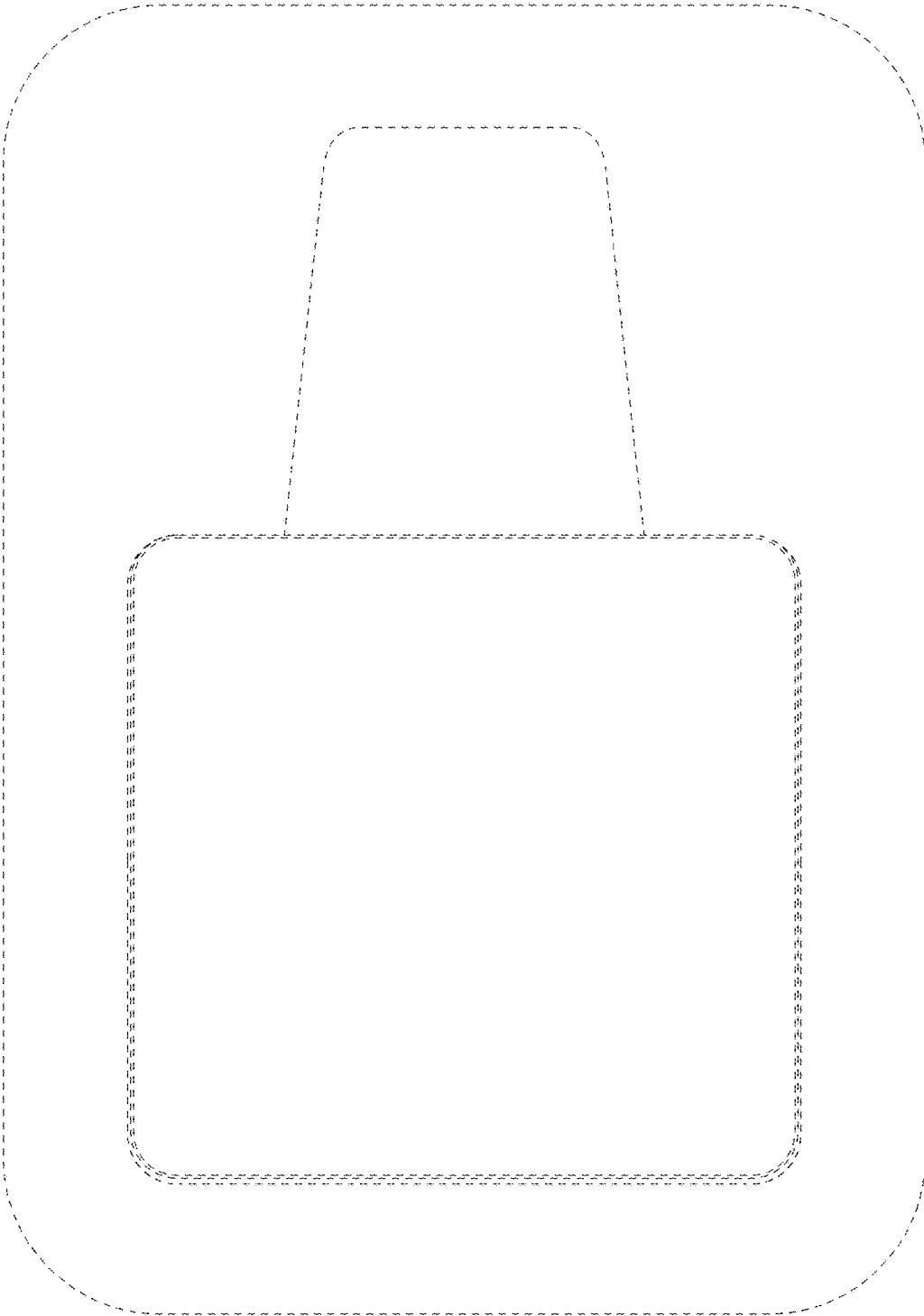


FIG. 3

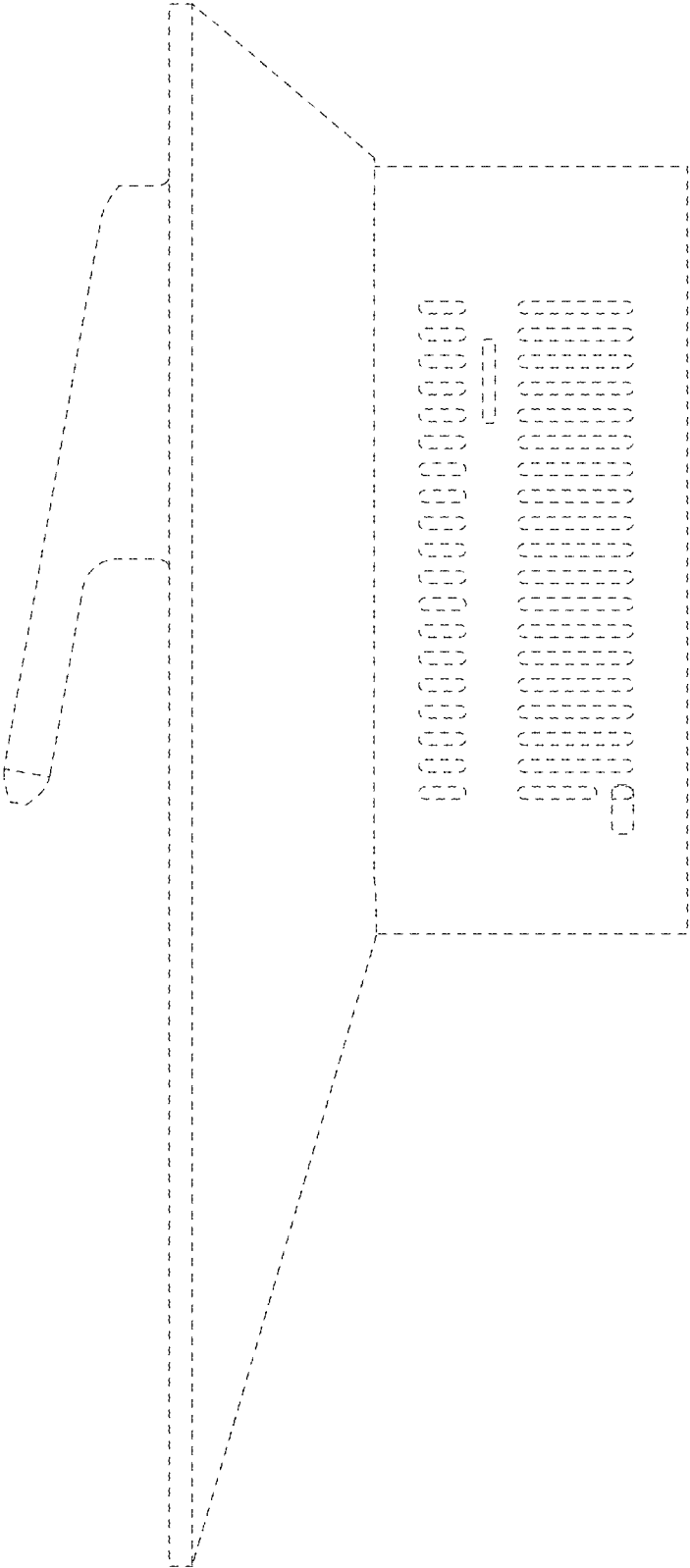


FIG. 4

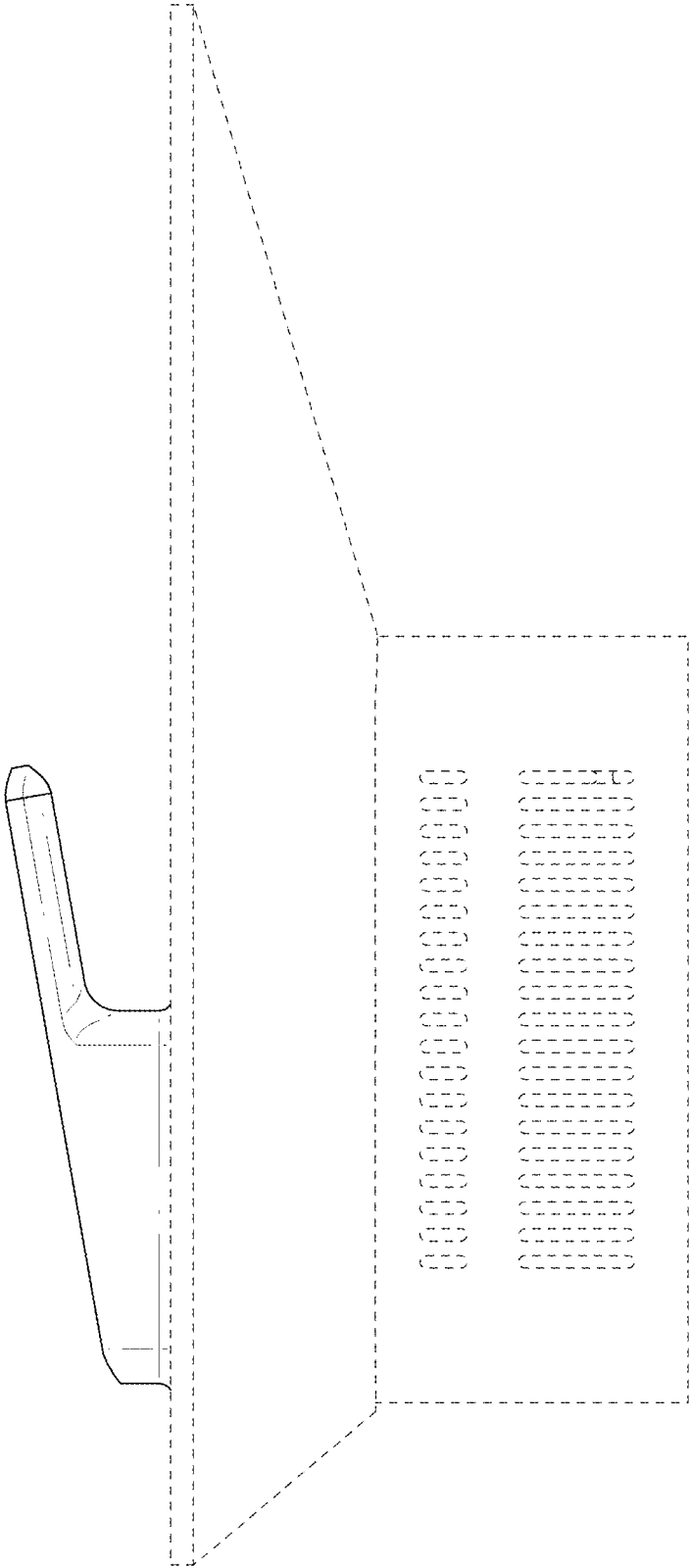


FIG. 5

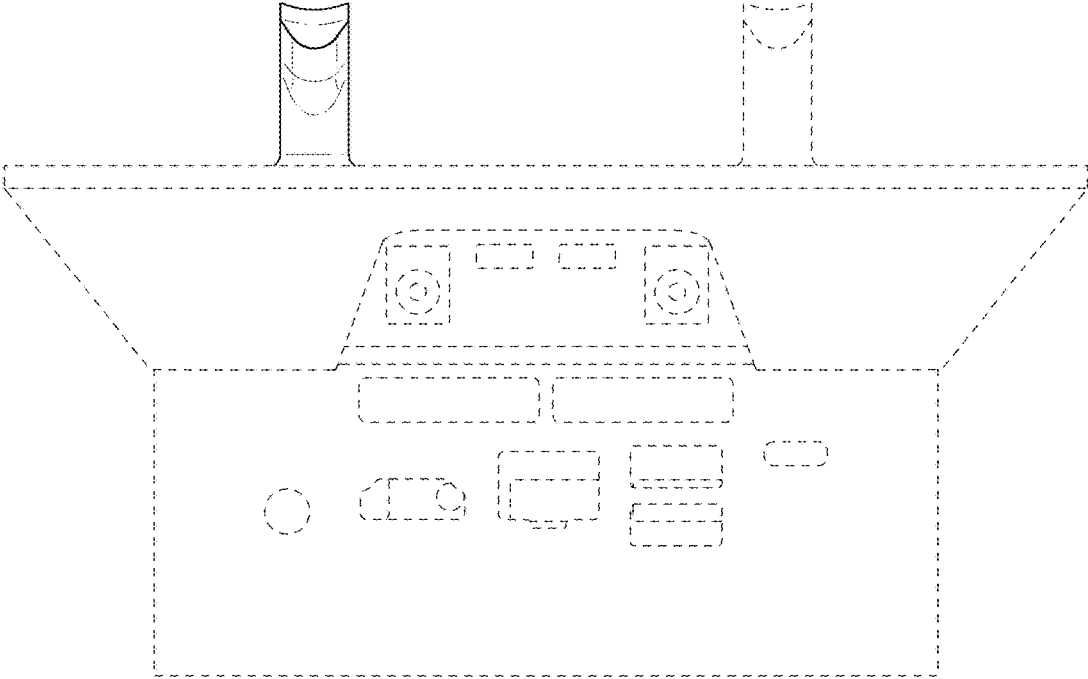


FIG. 6

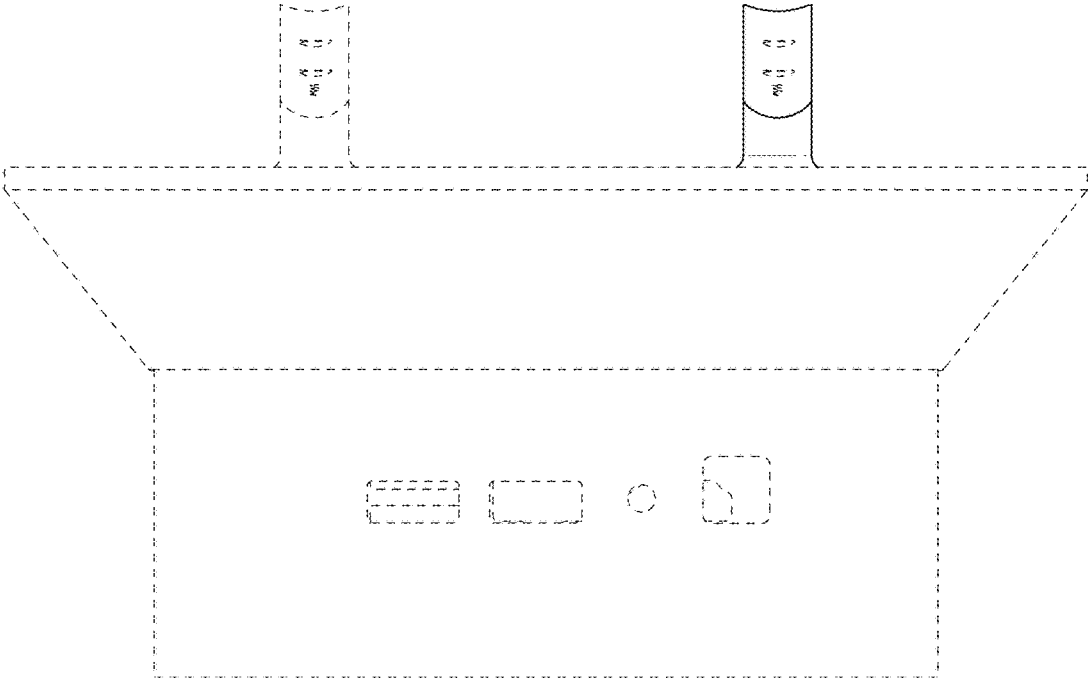


FIG. 7

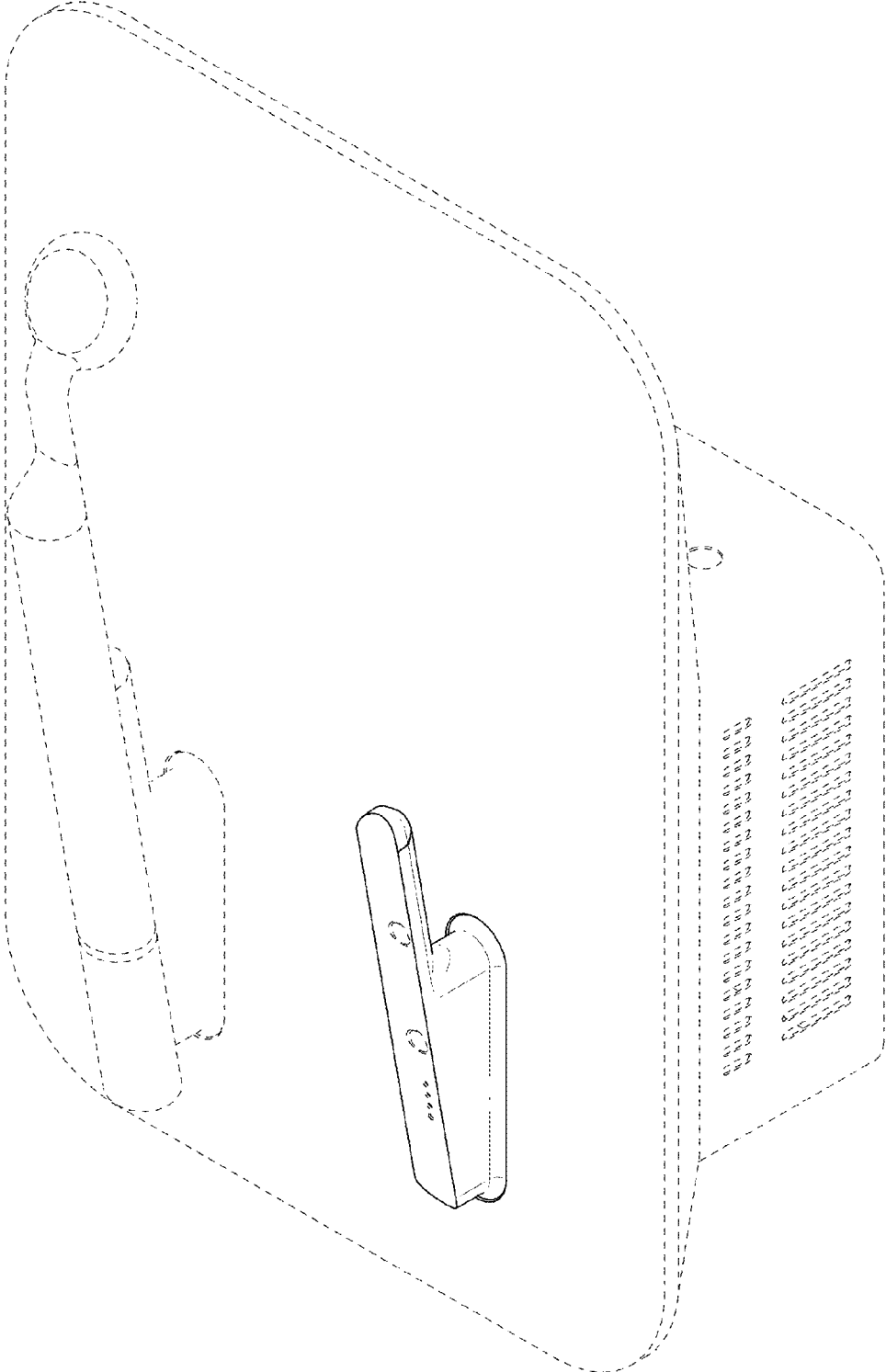


FIG. 8