



US00D932467S

(12) **United States Design Patent**  
**Feng**

(10) **Patent No.:** **US D932,467 S**

(45) **Date of Patent:** **\*\* Oct. 5, 2021**

(54) **EARPHONE SUPPORT**

(71) Applicant: **Shenzhen Humboldt Technology Co., Ltd**, Shenzhen (CN)

(72) Inventor: **Jianwei Feng**, Guangdong (CN)

(\*\*) Term: **15 Years**

(21) Appl. No.: **29/765,633**

(22) Filed: **Jan. 11, 2021**

(51) **LOC (13) Cl.** ..... **14-01**

(52) **U.S. Cl.**  
USPC ..... **D14/223; D14/205**

(58) **Field of Classification Search**  
USPC ..... D14/223, 205, 240, 242; D24/174, 182; 128/864, 865, 866; 381/380, 381, 371, 381/72; D8/349, 373, 330, 338, 356; D29/112; 2/209; 24/115 R; 70/18, 233; 411/222; 455/90.3, 575.1, 569.1  
CPC ..... H04R 1/10; H04R 25/00; H04R 25/02; H04R 1/1016; H04R 1/1066; H04R 1/105; H04R 1/1091; H04R 1/1082; A61F 11/10; A61B 7/02; F16B 39/12  
See application file for complete search history.

6,772,854 B2 \* 8/2004 Wubker ..... H04R 1/1016  
181/130  
D514,094 S \* 1/2006 Griffin ..... D14/223  
D519,985 S \* 5/2006 Wikel ..... D14/205  
D532,110 S \* 11/2006 Bailey ..... D24/174  
7,212,648 B2 \* 5/2007 Saiki ..... H04R 1/2834  
381/423  
D551,943 S \* 10/2007 Hodjat ..... D8/349  
7,401,679 B2 \* 7/2008 Ipsen ..... H04R 25/60  
181/129  
D583,361 S 12/2008 Sodetz  
D599,192 S \* 9/2009 Andren ..... D8/354  
7,654,484 B2 \* 2/2010 Mogensen ..... A61M 39/08  
242/402  
D618,218 S \* 6/2010 Burgett ..... D14/223  
D618,219 S \* 6/2010 Burgett ..... D14/223  
D621,817 S \* 8/2010 Brickstad ..... D14/223  
D622,265 S \* 8/2010 Rye ..... D14/223

(Continued)

**FOREIGN PATENT DOCUMENTS**

EM 001476998-0002 \* 5/2020  
GB 9007343660-0001 \* 12/2019  
KR 300901574.0000 \* 3/2017

*Primary Examiner* — Paula Allen Greene

(57) **CLAIM**

The ornamental design for an earphone support, as shown and described.

**DESCRIPTION**

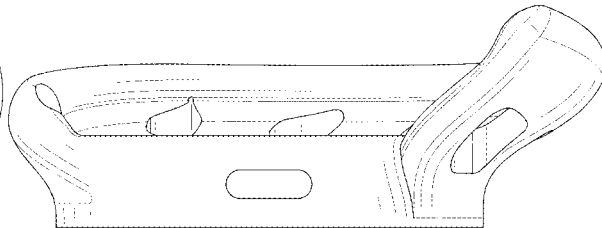
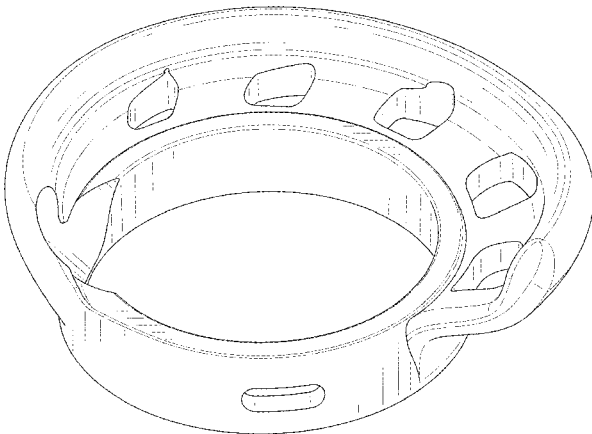
FIG. 1 is a front and top perspective view of an earphone support, showing my new design;  
FIG. 2 is a rear and bottom perspective view thereof;  
FIG. 3 is a front elevational view thereof;  
FIG. 4 is a rear elevational view thereof;  
FIG. 5 is a left side elevational view thereof;  
FIG. 6 is a right side elevational view thereof;  
FIG. 7 is a top plan view thereof; and,  
FIG. 8 is a bottom plan view thereof.

**1 Claim, 8 Drawing Sheets**

(56) **References Cited**

**U.S. PATENT DOCUMENTS**

1,527,802 A \* 2/1925 Huggins ..... H04R 1/1058  
181/129  
1,953,437 A \* 4/1934 Schier ..... A61F 11/00  
181/135  
4,443,668 A \* 4/1984 Warren ..... A61F 11/08  
181/135  
4,905,276 A \* 2/1990 Catey ..... H04M 1/19  
379/441  
D316,713 S \* 5/1991 Sun Kag ..... D14/484  
5,195,860 A \* 3/1993 Steyn ..... F16B 21/20  
411/353  
D388,093 S \* 12/1997 Frengley ..... D14/223



(56)

## References Cited

## U.S. PATENT DOCUMENTS

D622,704 S *	8/2010	Fahrendorff	D14/223	D779,435 S *	2/2017	Callahan	H05K 5/0247 D13/139.4
D622,705 S *	8/2010	Fahrendorff	D14/223	D779,461 S *	2/2017	Smith	D14/223
D628,990 S *	12/2010	Pedersen	D14/223	D780,157 S *	2/2017	Uggla	D14/205
D640,670 S *	6/2011	Rye	D14/223	D784,961 S *	4/2017	Armstrong	D14/223
D641,737 S *	7/2011	Krauss	D14/223	D813,373 S *	3/2018	Williams	D24/106
D644,212 S *	8/2011	Quek	D14/223	D828,825 S *	9/2018	Samrelius	D14/223
D644,213 S *	8/2011	Quek	D14/223	D835,077 S *	12/2018	Aoyagi	D14/223
D645,458 S *	9/2011	Silvestri	H04R 1/10 D14/223	D838,693 S *	1/2019	Fu	D14/223
D647,514 S *	10/2011	Wikel	D14/223	D842,352 S *	3/2019	Si	D15/145
D655,693 S *	3/2012	Silvestri	D14/223	D843,352 S *	3/2019	Lee	D14/223
D664,124 S *	7/2012	Smith	D14/223	D847,124 S *	4/2019	Smith	D14/223
D672,043 S *	12/2012	Larsen	D24/174	D859,368 S *	9/2019	Huang	D14/223
D672,044 S *	12/2012	Larsen	D24/174	D860,172 S *	9/2019	Yun	D14/223
D699,215 S *	2/2014	Koch	D14/205	D860,975 S *	9/2019	Briggs	D14/223
D707,201 S *	6/2014	Arjomand	H04R 25/652 D14/205	D862,423 S *	10/2019	Birger	D14/223
D712,383 S *	9/2014	McNamara	D14/223	D866,532 S *	11/2019	Zhang	D14/223
D712,880 S *	9/2014	Lin	D14/223	D869,444 S *	12/2019	Tang	D14/223
D716,770 S *	11/2014	Bonahoom	D14/223	D870,079 S *	12/2019	Yun	D14/223
D721,351 S *	1/2015	Liu	D14/205	D871,374 S *	12/2019	Karayiannis	D14/223
D725,636 S *	3/2015	McNamara	D14/223	D872,060 S *	1/2020	Briggs	D14/223
D726,694 S *	4/2015	Behar	D14/223	D875,720 S *	2/2020	Russo	D14/225
9,031,275 B2 *	5/2015	Brodsgaard	H04R 1/1066 381/374	D881,163 S *	4/2020	Duddy	D14/223
D732,008 S *	6/2015	Akana	H04R 1/10 D14/223	D881,164 S *	4/2020	Luo	D14/223
D742,362 S *	11/2015	Bonahoom	D14/223	D881,165 S *	4/2020	Lee	D14/223
D743,948 S *	11/2015	Crawford	D14/223	D881,166 S *	4/2020	Lee	D14/223
D744,456 S *	12/2015	Pedersen	D14/223	D883,262 S *	5/2020	Wu	D14/223
D750,600 S *	3/2016	Crawford	D14/223	D895,581 S *	9/2020	Wu	D14/223
D754,638 S *	4/2016	Krissman	D14/223	10,820,085 B1 *	10/2020	Sandanger	H04R 1/1016
D755,158 S *	5/2016	Lee	D14/205	D910,602 S *	2/2021	Feng	D14/223
D770,413 S *	11/2016	Son	D14/205	2002/0090104 A1 *	7/2002	Ma	H04R 1/1091 381/374
D770,425 S *	11/2016	Son	D14/223	2003/0048916 A1 *	3/2003	Chen	H04R 1/1058 381/374
D770,426 S *	11/2016	LaBerge	H04R 1/1058 D14/223	2003/0196850 A1 *	10/2003	Dyer	A61F 11/08 181/135
D773,440 S *	12/2016	Pedersen	D14/223	2009/0321196 A1 *	12/2009	Bilan	H04R 5/0335 188/166
D773,441 S *	12/2016	Pedersen	D14/223	2011/0255729 A1 *	10/2011	Tan	H04R 1/105 381/380
D774,021 S *	12/2016	Pedersen	D14/223	2014/0169910 A1 *	6/2014	Winnie	F16B 39/12 411/222
				2019/0254877 A1 *	8/2019	De Jong	A61F 11/08

\* cited by examiner

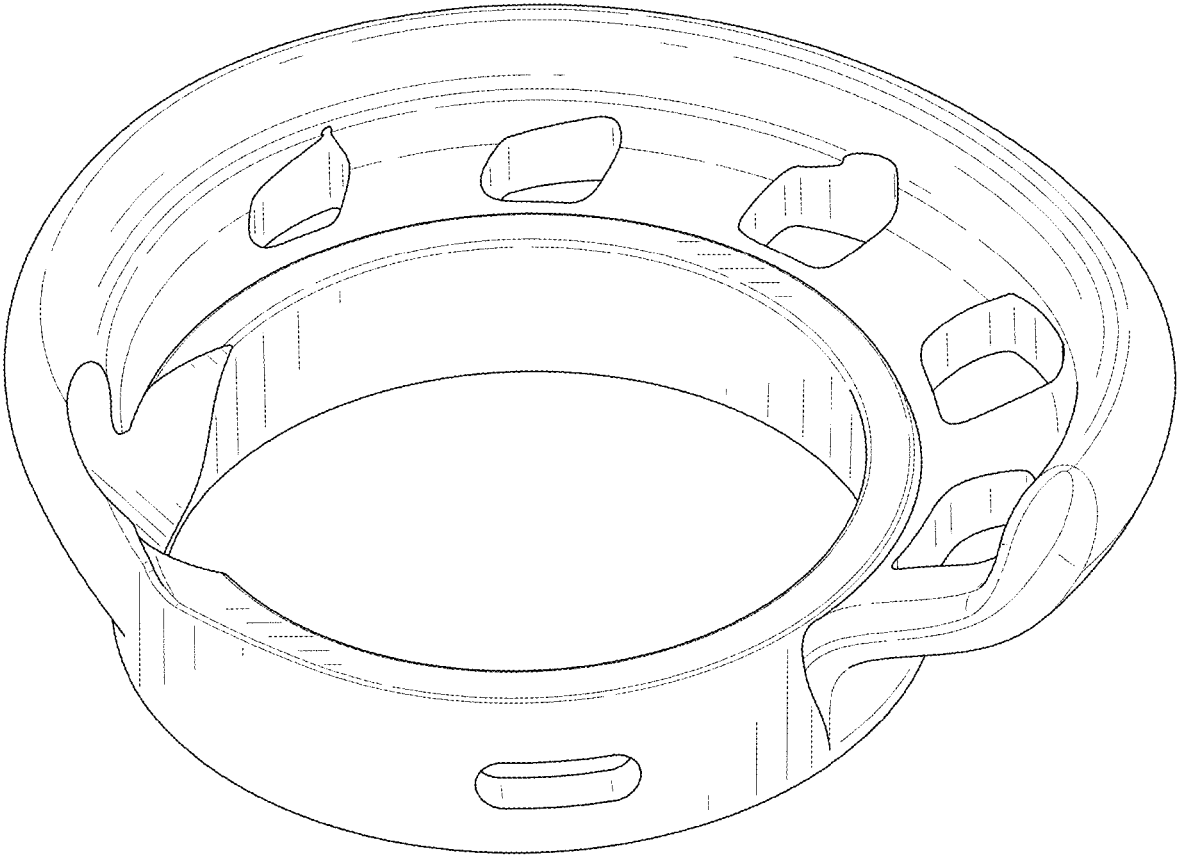


FIG. 1

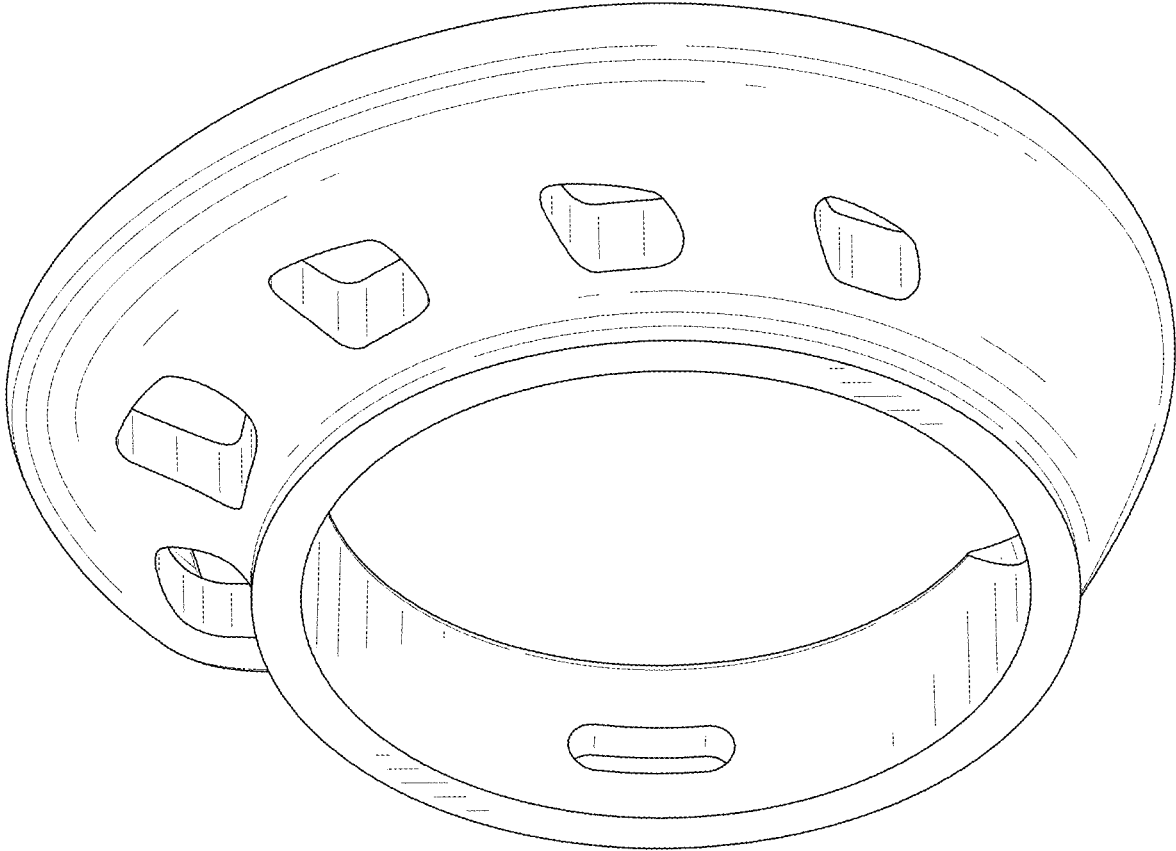


FIG. 2

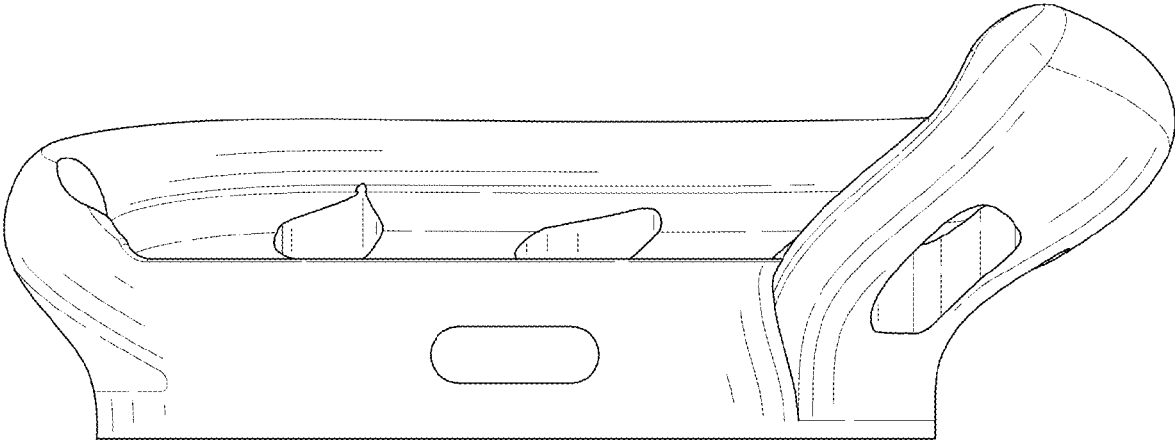


FIG. 3

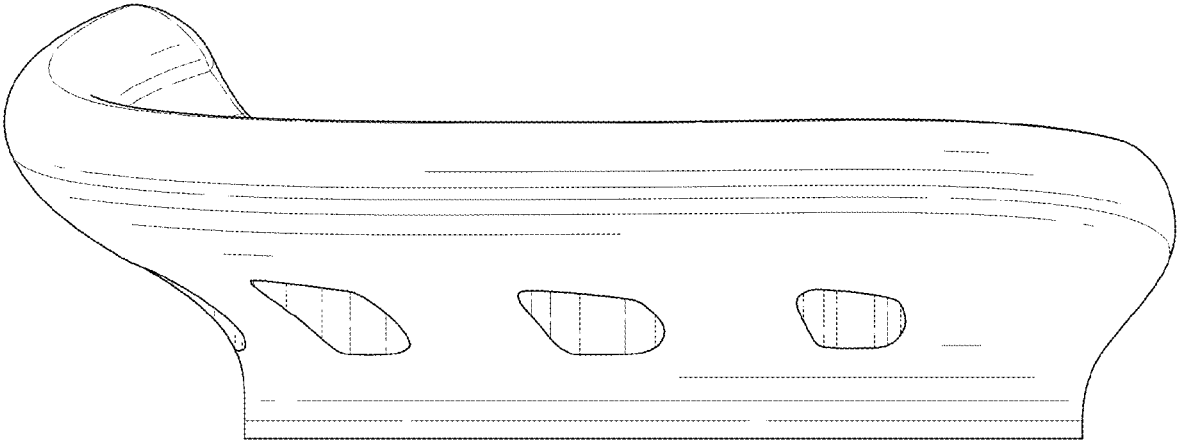


FIG. 4

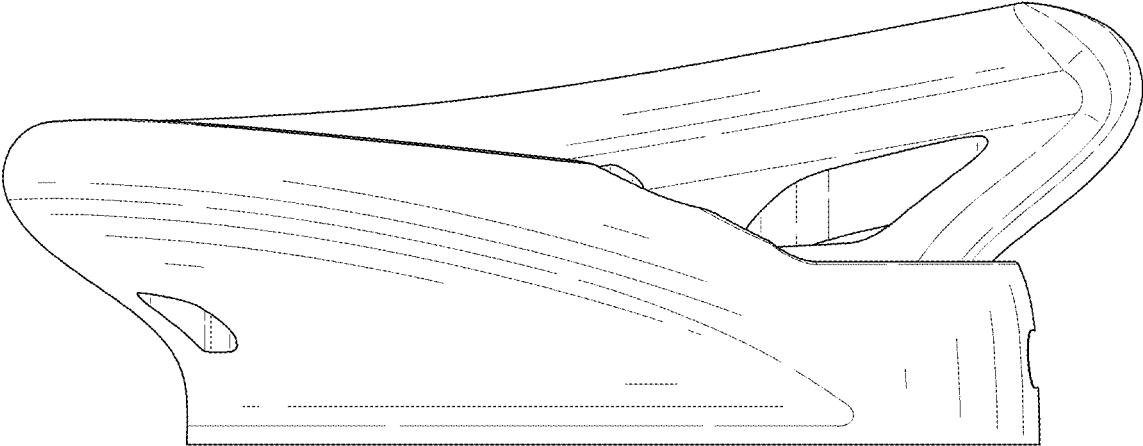


FIG. 5

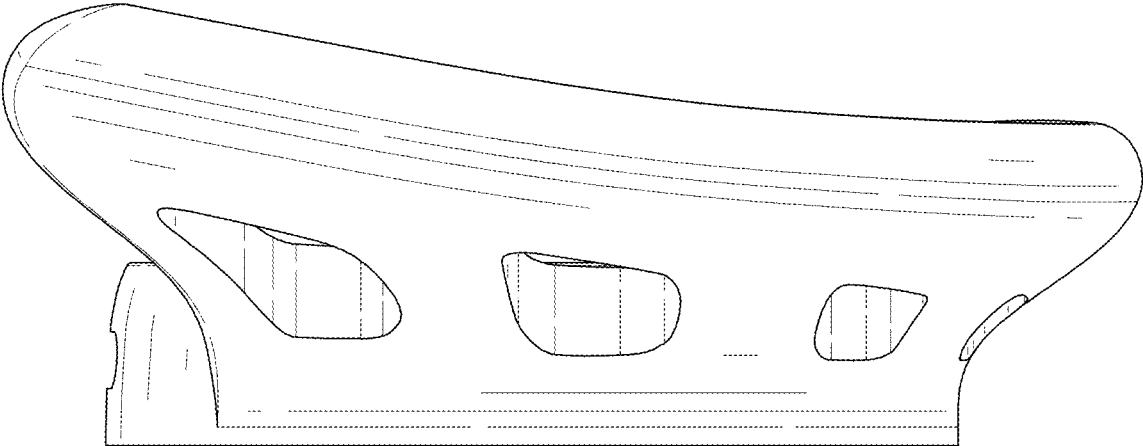


FIG. 6



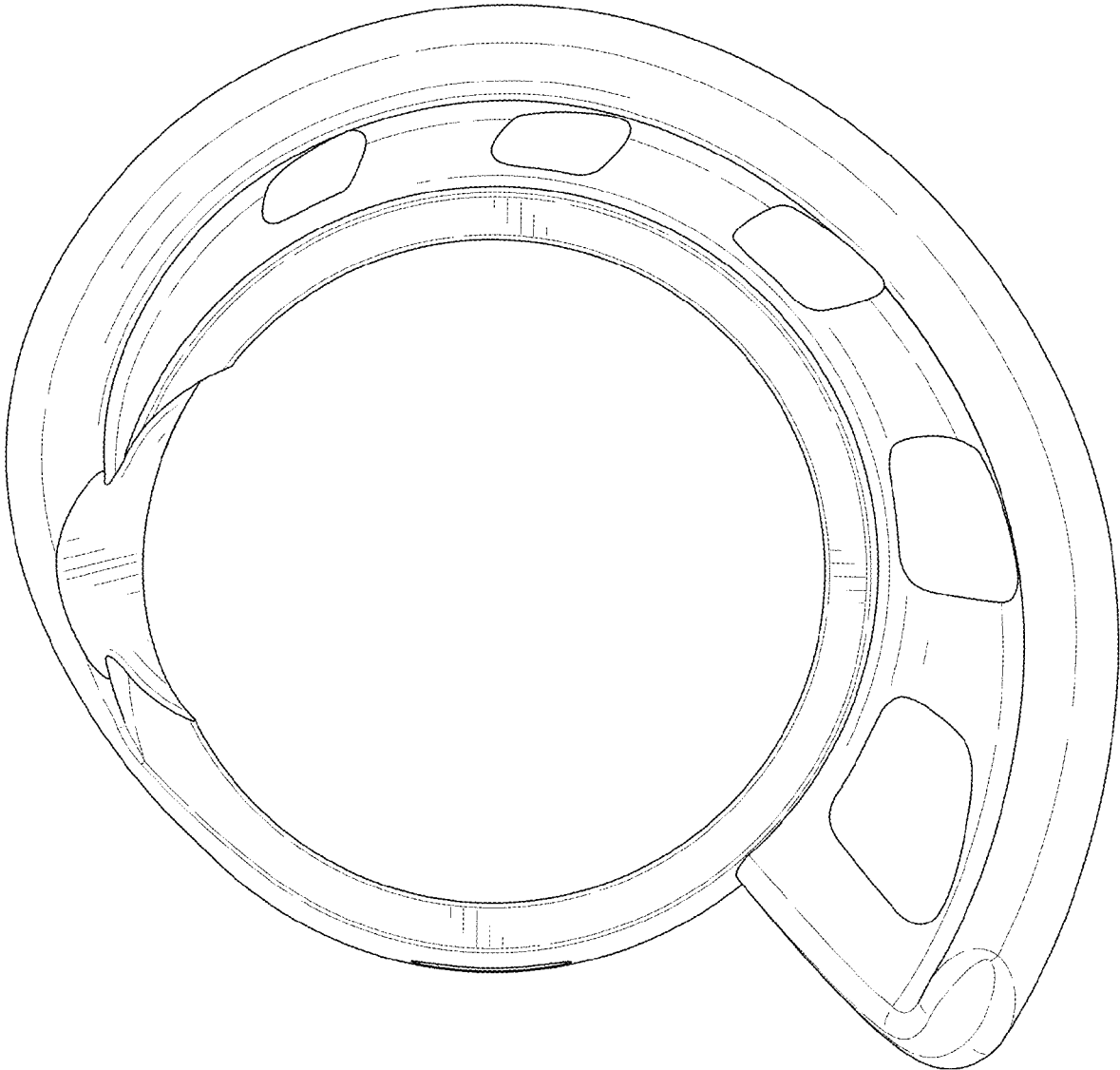


FIG. 7

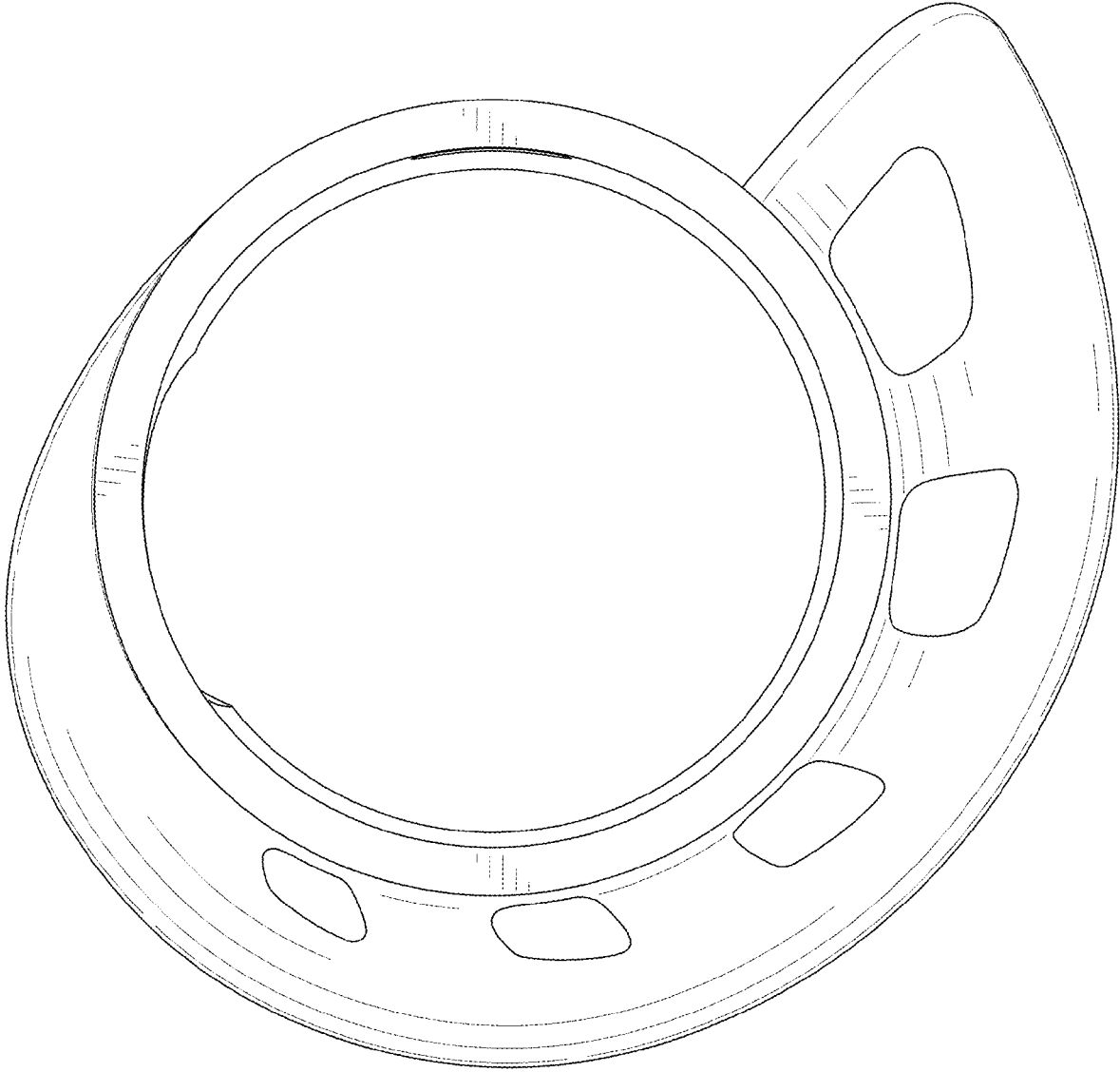


FIG. 8