



US00D710340S

(12) **United States Design Patent**
Wengreen et al.

(10) **Patent No.:** **US D710,340 S**

(45) **Date of Patent:** **** Aug. 5, 2014**

(54) **MOUNT**

3,091,378 A 5/1963 O'Dwyer
3,176,950 A 4/1965 Hittesdorf
3,279,009 A 10/1966 Teasdale

(71) Applicant: **Innovelis, Inc.**, Sammamish, WA (US)

(Continued)

(72) Inventors: **Brian Jeffrey Wengreen**, Ravensdale, WA (US); **Eric John Wengreen**, Sammamish, WA (US)

OTHER PUBLICATIONS

(73) Assignee: **Innovelis, Inc.**, Sammamish, WA (US)

Out of Sight Bracket—Website Part 1 (downloaded on Nov. 13, 2013 from http://www.outofsightbracket.com/OutOfSightBracket/OutOfSightBracket_for_Apple_TV.html). The website says the Out of Sight Bracket is "Patent Pending." The Out of Sight Bracket might have been made by Gordon H. Beckhart.

(**) Term: **14 Years**

(Continued)

(21) Appl. No.: **29/485,889**

(22) Filed: **Mar. 24, 2014**

Primary Examiner — Prabhakar Deshmukh

(57) **CLAIM**

The ornamental design for a mount, as shown and described.

Related U.S. Application Data

DESCRIPTION

(63) Continuation of application No. 13/332,373, filed on Dec. 21, 2011, which is a continuation-in-part of application No. 13/278,759, filed on Oct. 21, 2011.

(51) **LOC (10) Cl.** **14-01**

(52) **U.S. Cl.**
USPC **D14/238.1**

(58) **Field of Classification Search**
USPC D14/432, 434, 447, 357, 299, 496, D14/203.1–203.8, 238.1; D21/324, 328, D21/332, 333; 361/600, 679–686, 679.55, 361/679.56; 320/114, 115; 345/156–161, 345/905, 901; 439/529, 534, 929; 248/127, 248/307, 309.1, 918; 348/373, 376, 825, 348/836

See application file for complete search history.

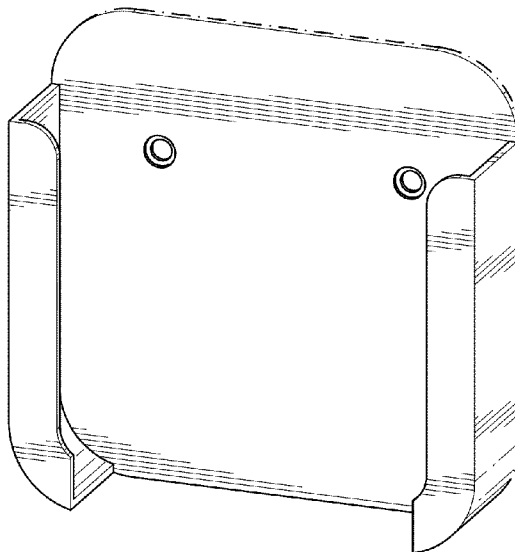
FIG. 1 is a front, side, and top perspective view of a mount embodying the new design.
FIG. 2 is a back, side, and top perspective view thereof.
FIG. 3 is a front view thereof.
FIG. 4 is a back view thereof.
FIG. 5 is a top view thereof.
FIG. 6 is a first side view thereof, the second side view being a mirror image.
FIG. 7 is a side, top, and front perspective view thereof.
FIG. 8 is a bottom, back, and side perspective view thereof.
FIG. 9 is a bottom, front, and side perspective view thereof; and,
FIG. 10 is a front, top, and side perspective view thereof.
The broken lines showing a digital media player, cables, and a backside of a television form no part of the claimed design. The dot-dash lines form unclaimed boundaries of the claim, which together with the other broken lines form no part of the claimed design.

(56) **References Cited**

U.S. PATENT DOCUMENTS

1,618,573 A 2/1927 Cole
2,584,646 A 2/1952 Wagstaff

1 Claim, 6 Drawing Sheets



(56)

References Cited

OTHER PUBLICATIONS

U.S. PATENT DOCUMENTS

3,294,298 A 12/1966 Danielson
 3,990,617 A 11/1976 Carter
 4,602,761 A 7/1986 Carter
 4,746,042 A 5/1988 King
 4,771,927 A 9/1988 Ventura
 4,826,115 A 5/1989 Novitski
 4,840,773 A 6/1989 Wade
 4,852,843 A 8/1989 Chandler
 4,974,764 A 12/1990 Cantwell
 5,038,985 A 8/1991 Chapin
 5,092,395 A 3/1992 Amidzich
 5,273,690 A 12/1993 McDowell
 5,297,318 A 3/1994 Adolphson
 D351,341 S 10/1994 Hung
 5,400,990 A 3/1995 Frankel
 5,535,093 A 7/1996 Noguchi
 5,593,124 A 1/1997 Wang
 D378,988 S * 4/1997 Brown et al. D8/380
 5,619,395 A 4/1997 McBride
 5,619,774 A 4/1997 Perry
 D388,107 S 12/1997 Huckins
 5,850,998 A 12/1998 Parsey
 5,899,371 A 5/1999 Weliver
 5,914,707 A 6/1999 Kono
 5,961,083 A 10/1999 Hartman
 5,979,724 A 11/1999 Loewenthal
 6,042,414 A * 3/2000 Kunert 439/374
 6,102,660 A 8/2000 Lee
 6,105,923 A 8/2000 Robertson
 6,193,546 B1 * 2/2001 Sadler 439/534
 D443,493 S 6/2001 Skeem
 6,275,885 B1 8/2001 Chin
 6,336,615 B1 1/2002 Jeon
 D456,413 S 4/2002 Malson
 6,560,983 B1 5/2003 Schimmeyer
 6,691,374 B2 2/2004 Coyne
 D495,336 S * 8/2004 Andre et al. D14/434
 6,888,940 B1 5/2005 Deppen
 6,939,641 B2 9/2005 Kincaid
 7,079,384 B2 7/2006 Wang
 7,113,218 B2 9/2006 Battles
 7,145,603 B2 12/2006 Whitby
 D535,826 S 1/2007 Toghianian
 7,222,762 B2 5/2007 Rees
 D545,343 S 6/2007 Braun
 D560,411 S 1/2008 Chung
 D565,399 S 4/2008 Grey
 7,367,089 B2 5/2008 Cooke
 D570,801 S 6/2008 Allen
 D596,621 S * 7/2009 Andre et al. D14/217
 D598,945 S 8/2009 Gillespie
 7,580,255 B2 8/2009 Crooijmans
 D610,128 S * 2/2010 Andre et al. D14/217
 D624,949 S 10/2010 Nakayama
 D625,729 S 10/2010 McNames
 7,854,420 B2 12/2010 Depay
 D633,503 S 3/2011 Bo
 8,002,225 B1 * 8/2011 Malone 248/214
 D657,362 S 4/2012 Lister
 D662,491 S 6/2012 Andre
 D667,411 S 9/2012 Kim
 D682,463 S * 5/2013 Bernard D26/140
 8,434,636 B2 * 5/2013 Byers 220/367.1
 8,544,805 B2 10/2013 Virgin
 2005/0236541 A1 10/2005 Chang
 2007/0264169 A1 11/2007 Chen
 2008/0078793 A1 4/2008 Brown
 2009/0218454 A1 9/2009 Stanley
 2010/0314277 A1 12/2010 Murray
 2012/0126081 A1 5/2012 Wengreen
 2012/0127379 A1 5/2012 Wengreen

Out of Sight Bracket—Website Part 2 (downloaded on Nov. 13, 2013 from http://www.outofsightbracket.com/OutOfSightBracket/How_to_mount_your_Apple_TV_or_AirPort_Express.html). The website says the Out of Sight Bracket is “Patent Pending.” The Out of Sight Bracket might have been made by Gordon H. Beckhart.
 Out of Sight Bracket—Website Part 3 (downloaded on Nov. 13, 2013 from <http://www.soundandvision.com/content/bracket-keeps-apple-airport-express-and-apple-tv-out-sight>).
 TV Tray—Website (downloaded on Nov. 13, 2013 from <http://h-sq.com/products/tvtray/>).
 TV Tray—Installation Guide (downloaded on Nov. 13, 2013 from http://www.h-sq.com/downloads/tvtx_ug.pdf).
 Cosmos Tray—Website (downloaded on Nov. 13, 2013 from http://www.amazon.com/Cosmos-MD199LL-AirPort-Express-Station/dp/B00C2JNGB2/ref=sr_1_4?ie=UTF8&qid=1384406376&sr=8-4&keywords=apple+tv+mount).
 CTA Digital—Website (downloaded on Nov. 13, 2013 from <http://www.ctadigital.com/downloads/KIN-WMC-final.pdf>).
 PDP Mounting Clip—Part 1 (downloaded on Nov. 13, 2013 from <http://www.amazon.com/Kinect-Sensor-TV-Mounting-Clip-Xbox/dp/B004XV6ST4>).
 PDP Mounting Clip—Part 2 (downloaded on Nov. 13, 2013 from http://www.microsoftstore.com/store/msusa/en_US/pdp/Kinect-Sensor-TV-Mounting-Clip/productID.253726200).
 PDP Mounting Clip—Part 3 (downloaded on Nov. 13, 2013 from <http://www.bestbuy.com/site/pdp-sensor-mounting-clip-for-kinect/3521258.p?id=1218408957863&skuId=3521258>).
 ScreenDeck (downloaded on Nov. 13, 2013 from http://news.cnet.com/8301-17938_105-20071226-1/screendeck-adds-top-shelf-to-your-flat-panel-tv/).
 Center Stage Bracket—Part 1 (downloaded on Nov. 13, 2013 from <http://www.bestbuy.com/site/center-stage-bracket-satellite-center-channel-speaker-shelf-bracket-black/5857191.p?id=1218697292805&skuId=5857191>).
 Center Stage Bracket—Part 2 (downloaded on Nov. 13, 2013 from <http://www.bestbuy.com/site/center-stage-bracket-satellite-center-channel-speaker-shelf-bracket-black/5857191.p?id=1218697292805&skuId=5857191>).
 DreamGear TriMount (downloaded on Nov. 14, 2013 from <http://www.dreamgear.net/shop-by-platform/universal/trimount.html>).
 Medialink router (downloaded on Jan. 2, 2014 from http://www.medialinkproducts.com/docs/MWN-WAPR150N_User_Guide.pdf).
 Cisco router wall mounting instructions (downloaded on Jan. 2, 2014 from <http://www.cisco.com/en/US/docs/routers/access/1800/1841/hardware/installation/guide/18inst.pdf>).
 Cisco wall mounting bracket (downloaded on Jan. 2, 2014 from <http://www.cisco.com/en/US/docs/routers/access/800/806/hardware/installation/guide/install.pdf>).
 Netgear ProSafe (downloaded on Jan. 2, 2014 from http://www.storagereview.com/netgear_prosafe_wndap660_dualband_wireless_access_point_review) article includes a date of Dec. 21, 2012.
 Wireless router picture (downloaded on Jan. 2, 2014 from <http://www.techwarelabs.com/wp-content/gallery/engenius-esr9850-wireless-router/router-bottom.jpg>).
 Apple TV, downloaded on Feb. 3, 2014 from <http://www.apple.com/appletv/what-is/>.
 Roku media players—Part 1, downloaded on Feb. 3, 2014 from <http://www.roku.com/products/roku-2>.
 Roku media players—Part 2, downloaded on Feb. 3, 2014 from <http://www.roku.com/products/compare>.
 Innovelis, Inc. Product—TotalMount—Apple TV Mounting Kit, downloaded from Amazon.com on Feb. 3, 2014, first available on Amazon.com on Jun. 22, 2011: http://www.amazon.com/TotalMount-Apple-Universal-Mounting-Kit/dp/B0057CVH6W/ref=sr_1_1?ie=UTF8&qid=1391473446&sr=8-1&keywords=TOTALMOUNT.
 Innovelis, Inc. Product—TotalMount—Roku Mounting Kit, downloaded from Amazon.com on Feb. 3, 2014, first available on Amazon.com on Jun. 14, 2012: http://www.amazon.com/TotalMount-ROKU-UNIVERSAL-MOUNTING-Compatible/dp/B008B1125W/ref=32sr_1_2?ie=UTF8&qid=1391473922&sr=8-2&keywords=totalmount.

(56)

References Cited

OTHER PUBLICATIONS

Innovelis, Inc. Product—TotalMount—Remote Holder, downloaded from Amazon.com on Feb. 3, 2014, first available on Amazon.com on Jul. 2, 2013: http://www.amazon.com/Apple-TV-Remote-Holder-TotalMount/dp/B00DR76YJO/ref=sr_l_3?ie=UTF8&qid=1391474218&sr=8-3&keywords=totalmount.

Innovelis, Inc. Product—TotalMount—AirPort Express Mounting Kit, downloaded from Amazon.com on Feb. 3, 2014, first available on Amazon.com in approximately Sep. 2012: http://www.amazon.com/TotalMount-AirPort-Express-Mounting-Kit/dp/B009HC7BL8/ref=sr_l_4?ie=UTF8&qid=1391474218&sr=8-4&keywords=totalmount.

Innovelis, Inc. Product—TotalMount—Roku Mounting Kit (Version 1), downloaded from Amazon.com on Feb. 3, 2014, first available on Amazon.com on Jan. 19, 2012: http://www.amazon.com/TotalMount-ROKU-MOUNTING-Compatible-Roku/dp/B006ZS4R46/ref=sr_l_5?ie=UTF8&qid=1391474218&sr=8-5&keywords=totalmount.

Innovelis, Inc. Product—TotalMount—AirPort Extreme Mounting Kit, downloaded from Amazon.com on Feb. 3, 2014, first available on Amazon.com in approximately Apr. 2013: http://www.amazon.com/TotalMount-Compatible-generations-compatible-generation/dp/B00CKCDLK/ref=sr_l_7?ie=UTF8&qid=1391474218&sr=8-7&keywords=totalamount.

Innovelis, Inc. Product—TotalMount—Vizio Mounting Kit, downloaded from Amazon.com on Feb. 3, 2014, first available on Amazon.com in approximately May 2013: http://www.amazon.com/TotalMount-VIZIO-Co-Star-Mounting-Kit/dp/B00GDMXSZ8/ref=sr_l_10?ie=UTF8&qid=1391474218&sr=8-10&keywords=totalmount.

U.S. Appl. No. 14/209,452, filed Mar. 13, 2014; entitled Mounting Methods for Digital Media Players.

Design U.S. Appl. No. 29/484,833, filed Mar. 13, 2014; entitled Mount for Electronic Devices.

Design U.S. Appl. No. 29/484,244, filed Mar. 7, 2014; entitled Mount for Electronic Devices.

Design U.S. Appl. No. 29/484,233, filed Mar. 7, 2014; entitled Mount for Electronic Devices.

Design U.S. Appl. No. 29/480,962, filed Jan. 31, 2014; entitled Mounting Arm.

U.S. Appl. No. 14/169,148, filed Jan. 30, 2014; entitled Mounting Methods for Digital Media Players.

Design U.S. Appl. No. 29/480,959, filed Jan. 30, 2014; entitled Mount for Electronic Devices.

U.S. Appl. No. 14/146,178, filed Jan. 2, 2014; entitled Surface Mounting Systems and Methods.

Design U.S. Appl. No. 290/450,269, filed Mar. 15, 2013; entitled Mounting System for Wireless Base Station.

Design U.S. Appl. No. 29/450,229, filed Mar. 15, 2013; entitled Line of Sight Mounting System for Digital Media Players.

Design U.S. Appl. No. 29/450,155, filed Mar. 15, 2013; entitled Remote Control Holder.

U.S. Appl. No. 13/781,717, filed Feb. 28, 2013; entitled Line of Sight Mounting System for Digital Media Players.

U.S. Appl. No. 13/779,733, filed Feb. 27, 2013; entitled Line of Sight Mounting System for Digital Media Players.

U.S. Appl. No. 13/332,373, filed Dec. 21, 2011; entitled Mounting System for Digital Media Players.

U.S. Appl. No. 13/278,759, filed Oct. 21, 2011; entitled Mounting System for Digital Media Players.

U.S. Appl. No. 61/416,736, filed Nov. 23, 2010; entitled Mounting System for Digital Media Players.

* cited by examiner

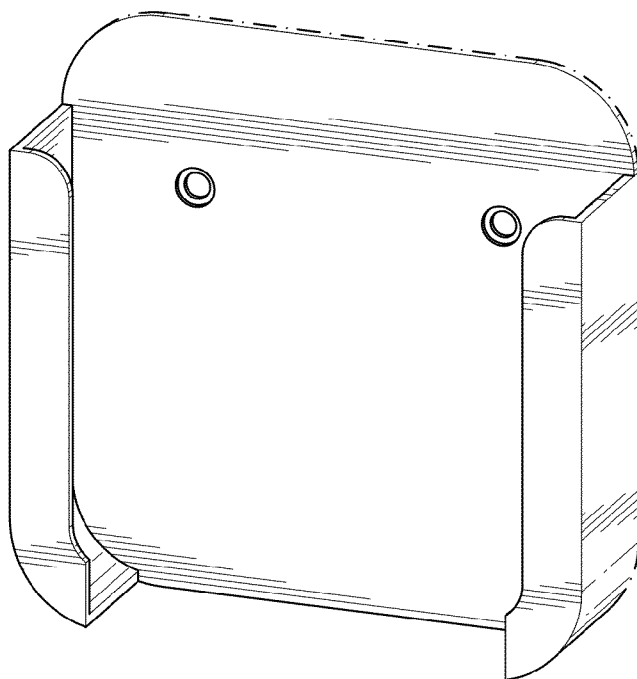


FIG. 1

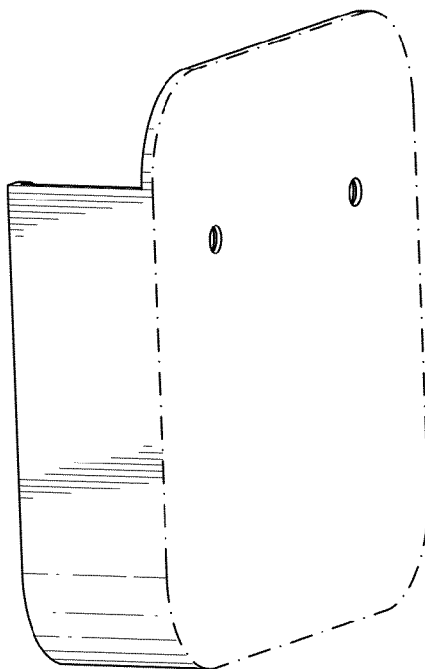


FIG. 2

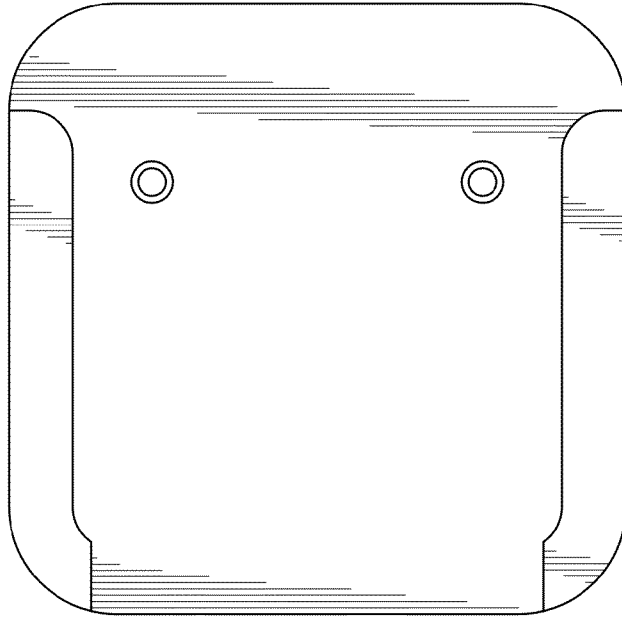


FIG. 3

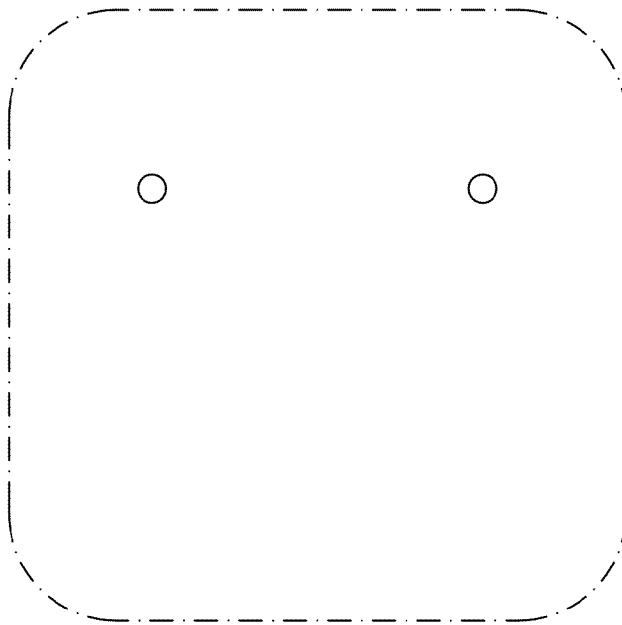


FIG. 4

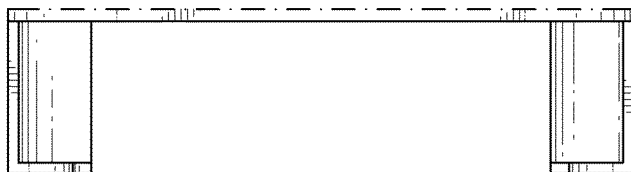


FIG. 5

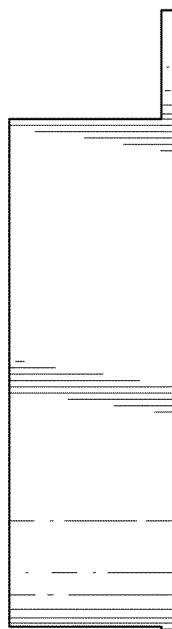


FIG. 6

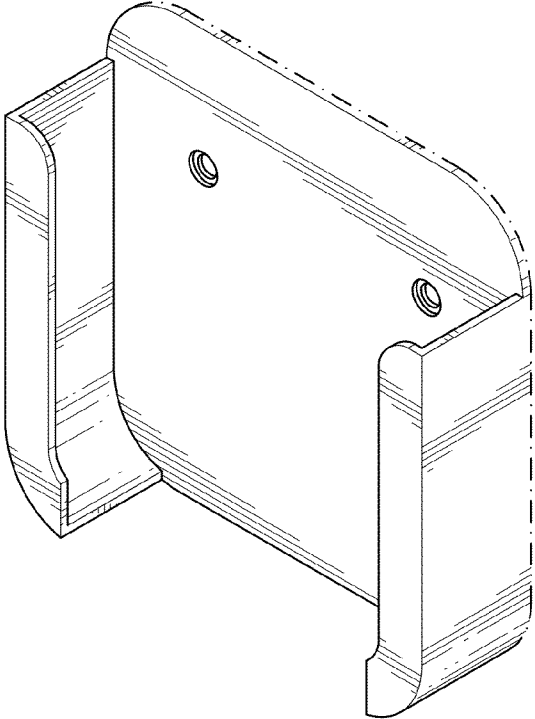


FIG. 7

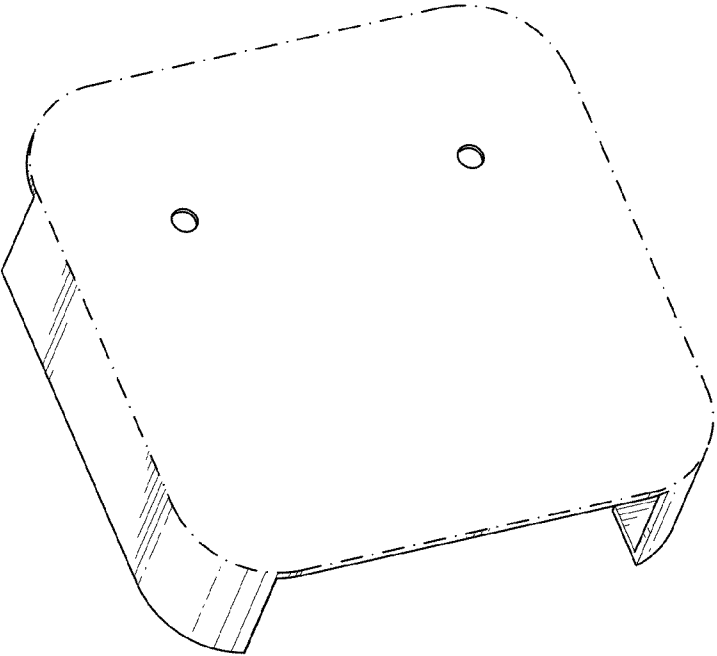


FIG. 8

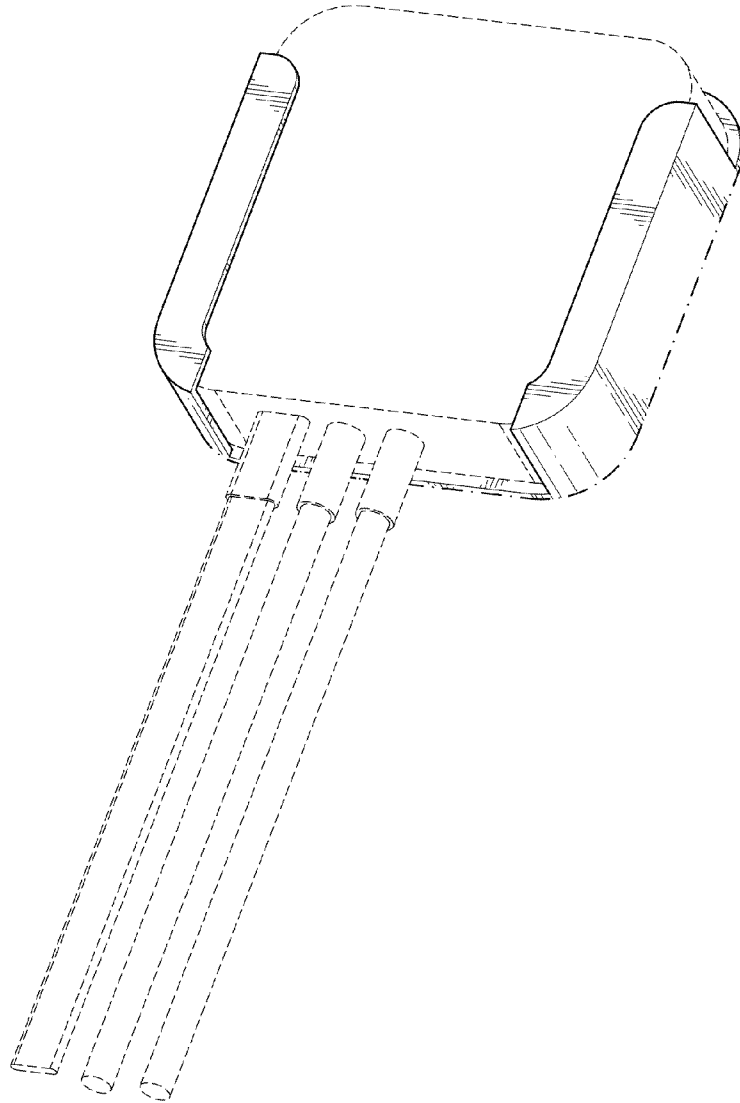


FIG. 9

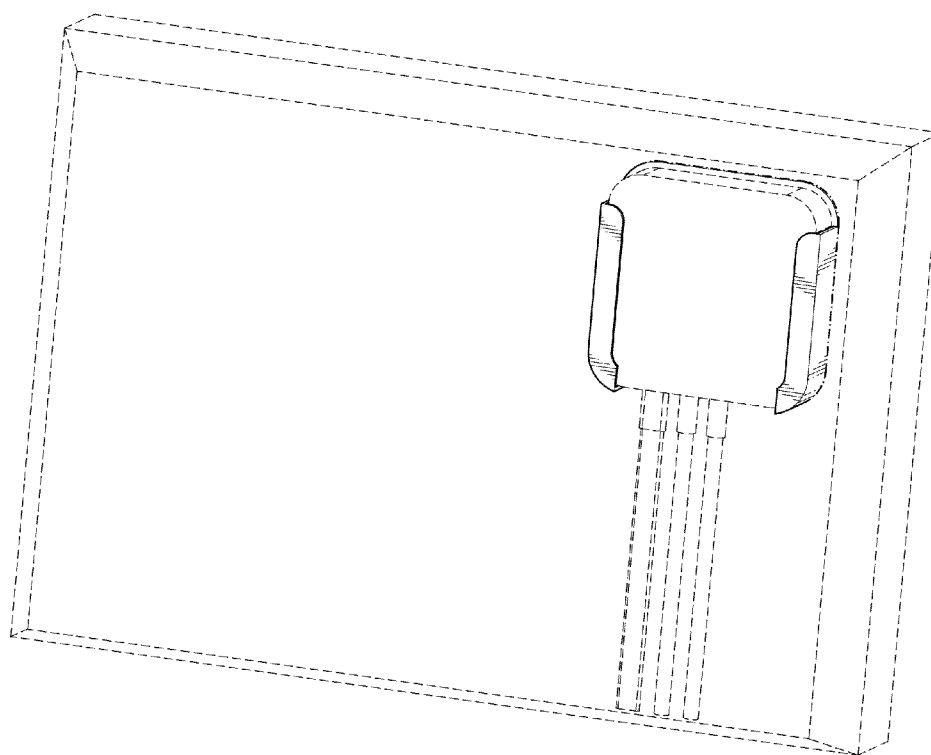


FIG. 10