

[54] BUCKLE

2,451,175 11/1980 Sappay ..... 24/616

[76] Inventor: Fu-Chen Jang, No. 71-1, Ta-Miao Village, Kuei-Jen, Tainan, Taiwan

Primary Examiner—Louis S. Zarfaz  
Assistant Examiner—R. Seifert  
Attorney, Agent, or Firm—Morton J. Rosenberg

[\*\*] Term: 14 Years

[57] CLAIM

[21] Appl. No.: 44,563

The ornamental design for a buckle, as shown.

[22] Filed: May 1, 1987

DESCRIPTION

[52] U.S. Cl. .... D11/216

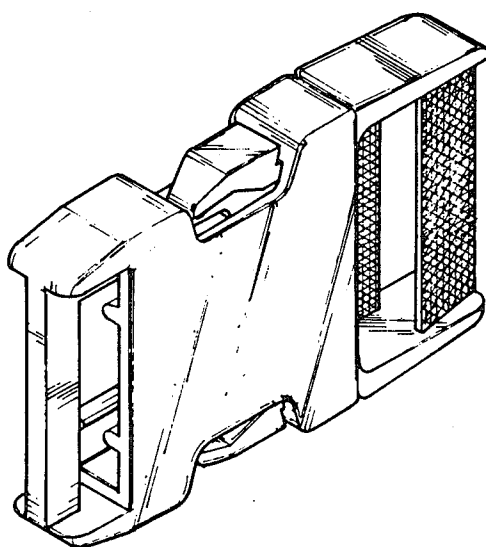
[58] Field of Search ..... D11/214, 215, 216, 218,  
D11/200, 201, 208; 24/580, 644, 650, 651, 616,  
617, 163 K

FIG. 1 is a perspective view of a buckle showing my new design;  
FIG. 2 is a front elevational view;  
FIG. 3 is a rear elevational view;  
FIG. 4 is a left side elevational view;  
FIG. 5 is a right side elevational view;  
FIG. 6 is a top plan view; and  
FIG. 7 is a bottom plan view.

[56] References Cited

U.S. PATENT DOCUMENTS

D. 292,898 11/1987 Kasai ..... D11/216



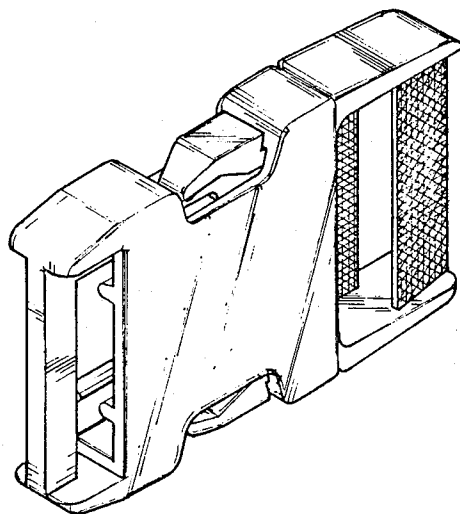


FIG. 1

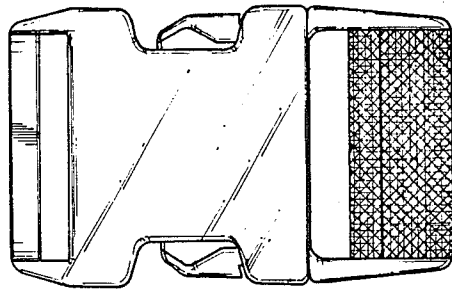


FIG. 2

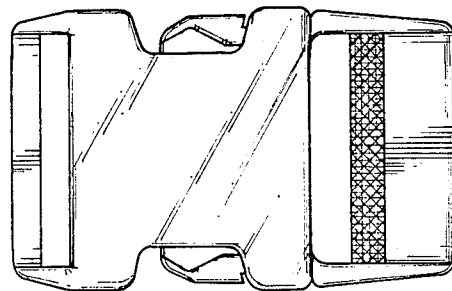


FIG. 3

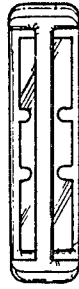


FIG. 4



FIG. 5

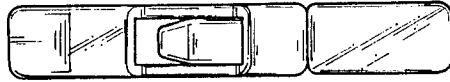


FIG. 6

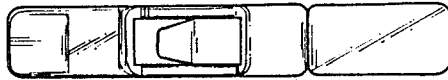


FIG. 7