



US00D985540S

(12) **United States Design Patent**
Xiang

(10) **Patent No.:** **US D985,540 S**

(45) **Date of Patent:** **** May 9, 2023**

(54) **WIRELESS PRESENTER**

FOREIGN PATENT DOCUMENTS

(71) Applicant: **Li Xiang**, Zhangjiajie (CN)

CN 302455826 * 6/2013
CN 302931325 * 9/2014

(72) Inventor: **Li Xiang**, Zhangjiajie (CN)

(Continued)

(**) Term: **15 Years**

OTHER PUBLICATIONS

(21) Appl. No.: **29/850,274**

PPTSLID Store, "Wireless Presentation Clicker . . .", available at amazon.com, date first available Apr. 9, 2022, site visited Jan. 27, 2023, available at URL: <https://a.co/d/cpwOSsg> (Year: 2022).*

(22) Filed: **Aug. 18, 2022**

(Continued)

(51) **LOC (14) Cl.** **14-03**

(52) **U.S. Cl.**

USPC **D14/218**

(58) **Field of Classification Search**

USPC D14/218, 454, 499, 496, 400, 401, 432,
D14/455, 456, 511, 217, 238.1, 399;
D21/333; D13/168, 171, 173-184

CPC A63F 13/24; A63F 13/213; A63F 13/214;
A63F 13/00; A63F 13/212; A63F 13/20;
G06F 3/014; G06F 3/017; G06F 3/0308;
G06F 3/0338; G06F 3/038; G06F 3/14

See application file for complete search history.

Primary Examiner — Daniel J Domino

Assistant Examiner — Samina Vieth

(74) *Attorney, Agent, or Firm* — Georgi Korobanov

(57)

CLAIM

The ornamental design for a wireless presenter, as shown and described.

DESCRIPTION

FIG. 1 is a perspective view of a first embodiment of a wireless presenter, showing my new design;
FIG. 2 is another perspective view thereof;
FIG. 3 is a front view thereof;
FIG. 4 is a rear view thereof;
FIG. 5 is a left side view thereof;
FIG. 6 is a right side view thereof;
FIG. 7 is an enlarged top plan view thereof;
FIG. 8 is an enlarged bottom plan view thereof;
FIG. 9 is a perspective view of a second embodiment of a wireless presenter;
FIG. 10 is another perspective view thereof;
FIG. 11 is a front view thereof;
FIG. 12 is a rear view thereof;
FIG. 13 is a left side view thereof;
FIG. 14 is a right side view thereof;
FIG. 15 is an enlarged top plan view thereof; and,
FIG. 16 is an enlarged bottom plan view thereof.

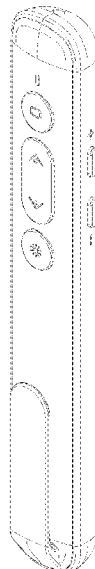
(56) **References Cited**

U.S. PATENT DOCUMENTS

D451,076 S *	11/2001	Sommer	D13/168
D546,782 S *	7/2007	Poulet	D13/168
D556,154 S *	11/2007	Poulet	D13/168
D568,313 S *	5/2008	Leung	D26/38
D582,915 S *	12/2008	Leung	D26/38
D589,941 S *	4/2009	Maier	D14/218
D605,178 S *	12/2009	Maier	D14/218
D627,091 S *	11/2010	Zhang	D26/37
D647,510 S *	10/2011	Maier	D14/218
D647,511 S *	10/2011	Maier	D14/218
D671,918 S *	12/2012	Maier	D14/218
D703,188 S *	4/2014	Maier	D14/218
D770,194 S *	11/2016	Langhammer	D6/512

(Continued)

1 Claim, 16 Drawing Sheets



(56)

References Cited

U.S. PATENT DOCUMENTS

D779,460	S	*	2/2017	Turksu	D14/218
D795,870	S	*	8/2017	Jentz	D26/37
D823,834	S	*	7/2018	Wang	D14/218
D852,170	S	*	6/2019	Zhang	D14/218
D856,332	S	*	8/2019	Rüegg	D14/218
D873,270	S	*	1/2020	Rüegg	D14/218
D875,731	S	*	2/2020	Rüegg	D14/218
D891,659	S	*	7/2020	Tu	D26/37
D901,444	S	*	11/2020	Huang	D14/218
D901,445	S	*	11/2020	Huang	D14/218
D913,992	S	*	3/2021	Huang	D14/218
D917,753	S	*	4/2021	Guo	D26/37
D941,270	S	*	1/2022	Park	D14/218
D942,958	S	*	2/2022	Maier	D14/218

FOREIGN PATENT DOCUMENTS

CN	303005288	*	11/2014
CN	304369467	*	11/2017

OTHER PUBLICATIONS

DinoFire, “Wireless Presenter . . .”, available amazon.com, date first available Jul. 23, 2015, date first available Apr. 9, 2023, site visited Jan. 27, 2023, available at URL: <https://a.co/d/9hoa9Tk> (Year: 2015).*

Urktral, “Presentation Clicker for Powerpoint . . .”, available at amazon.com, date first available Nov. 17, 2021, site visited Jan. 27, 2023, available at URL: <https://a.co/d/i8nbncv> (Year: 2021).*

Iyiyuku, “Wireless Presenter . . .”, available at amazon.com, date first available Oct. 12, 2022, site visited Jan. 27, 2023, available at URL: <https://a.co/d/iqZtfum> (Year: 2022).*

Knorvay Store, “Norwii N27 PowerPoint Clicker . . .”, available at amazon.com, date first available Nov. 8, 2018, site visited Jan. 27, 2023, available at URL: <https://a.co/d/gF1PYM1> (Year: 2018).*

* cited by examiner

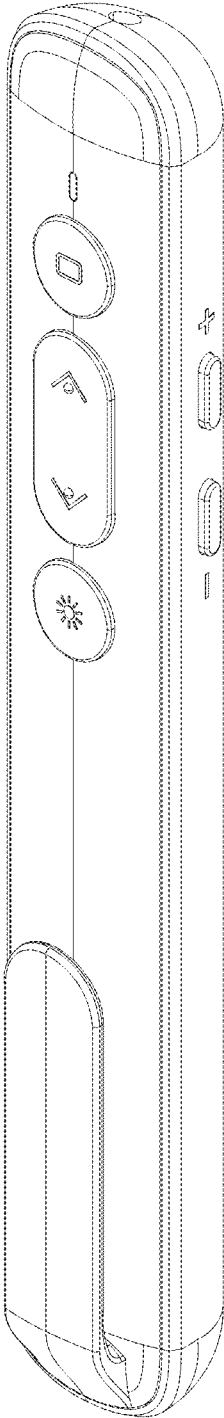


FIG. 1

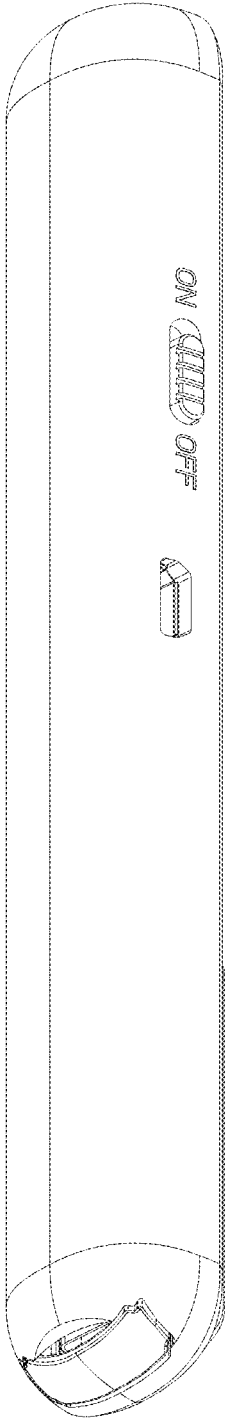


FIG. 2

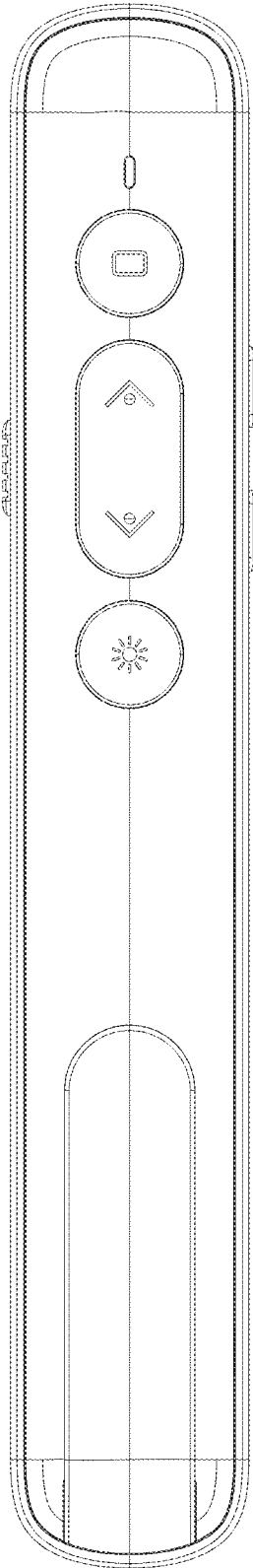


FIG. 3

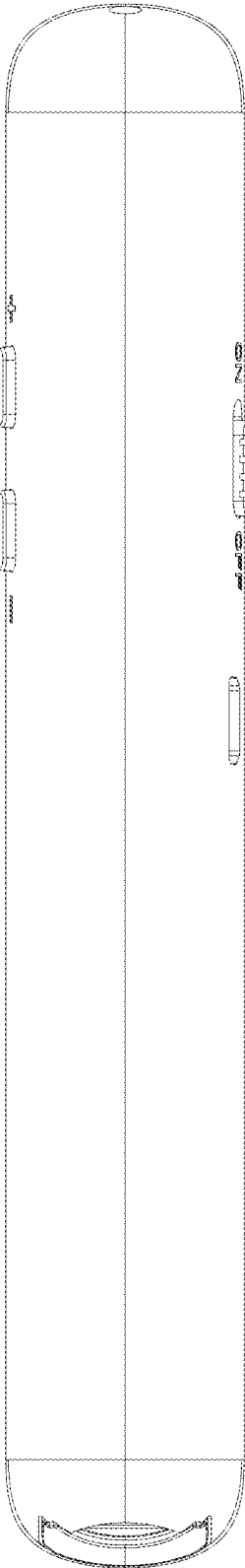


FIG. 4

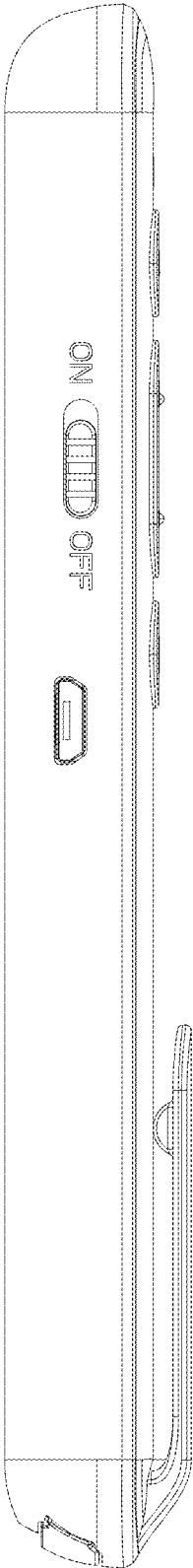


FIG. 5

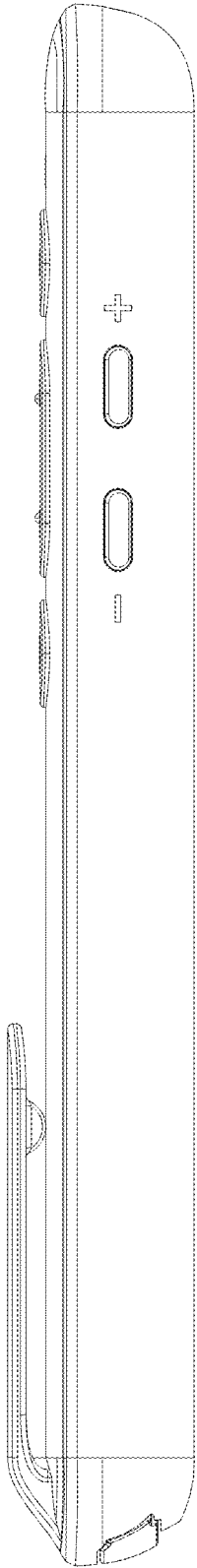


FIG. 6

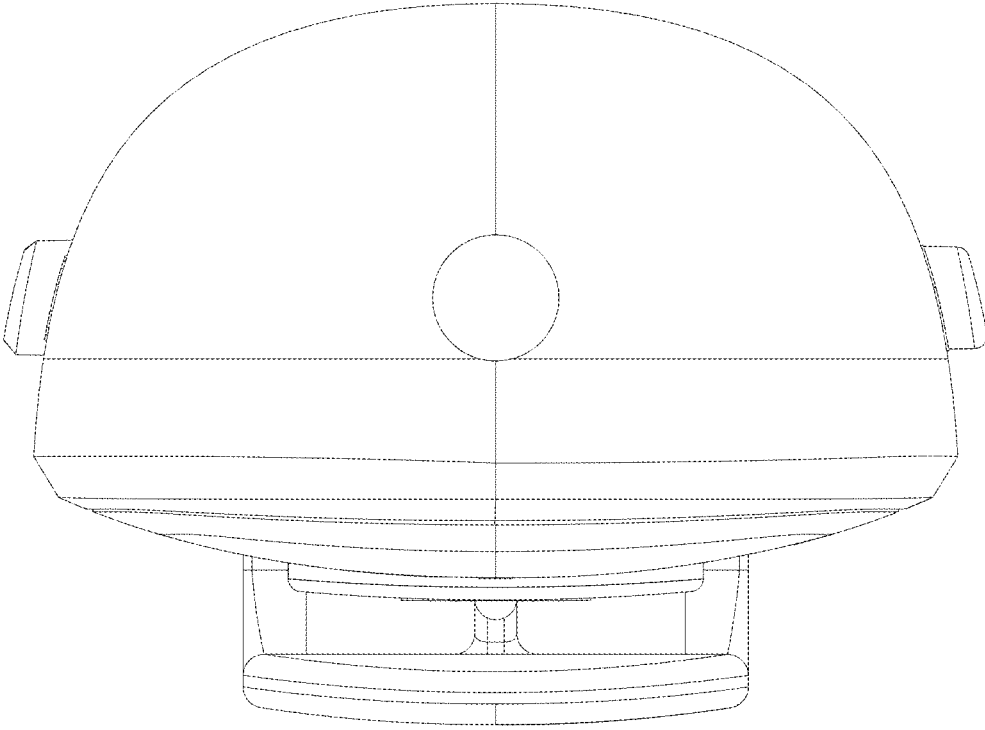


FIG. 7

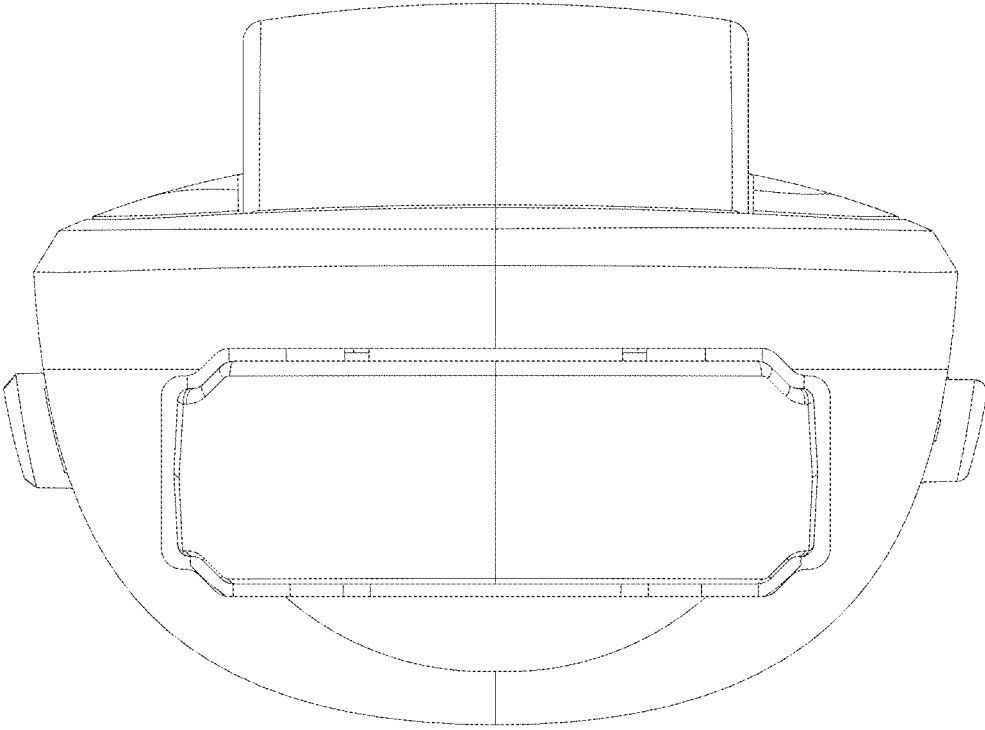


FIG. 8

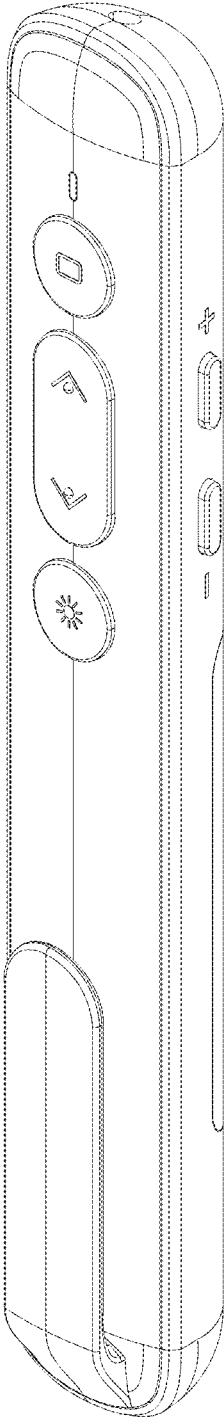


FIG. 9

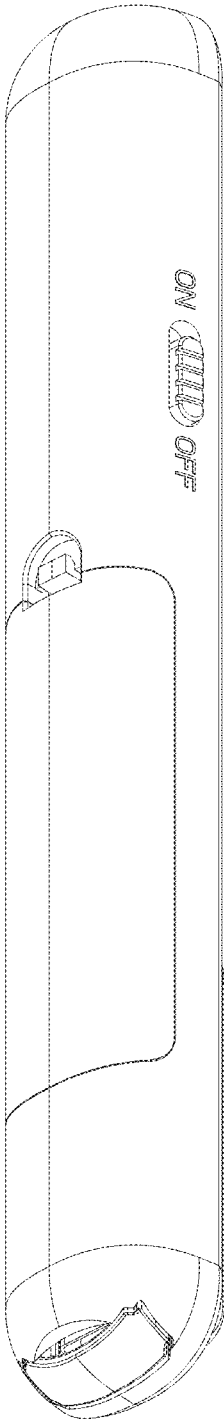


FIG. 10

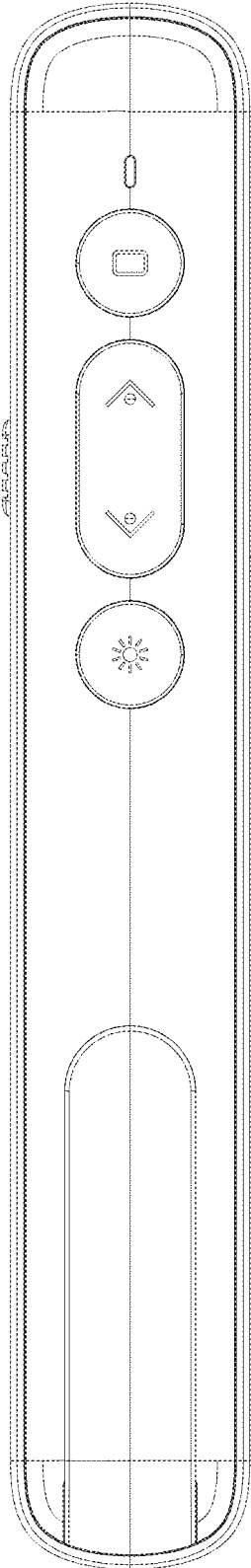


FIG. 11

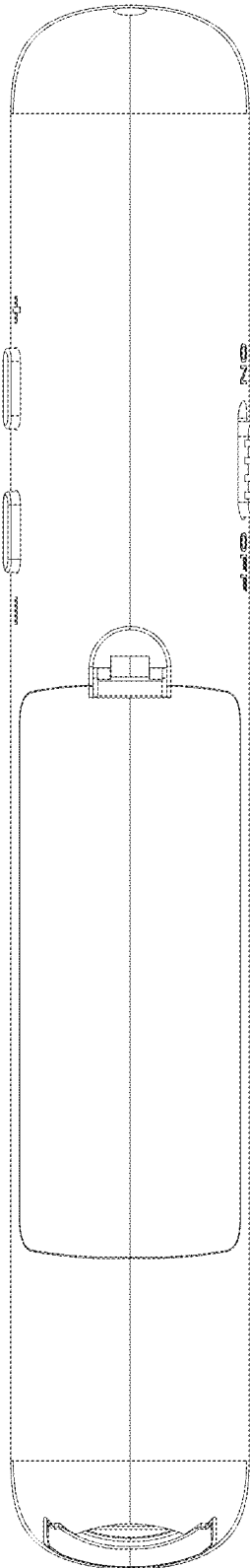


FIG. 12

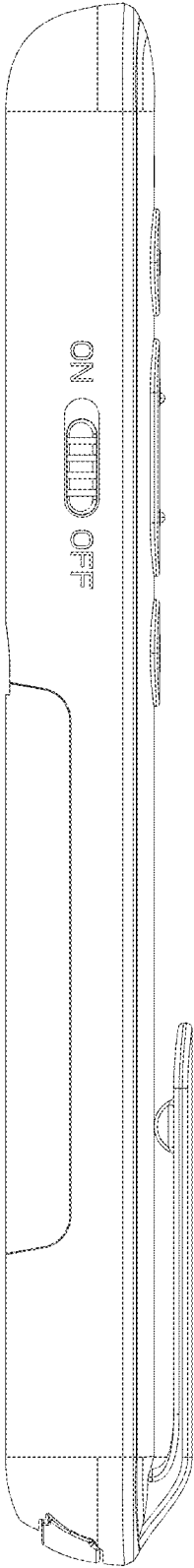


FIG. 13

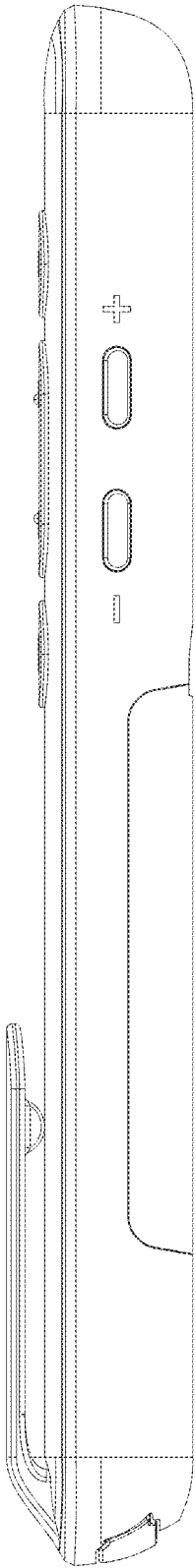


FIG. 14

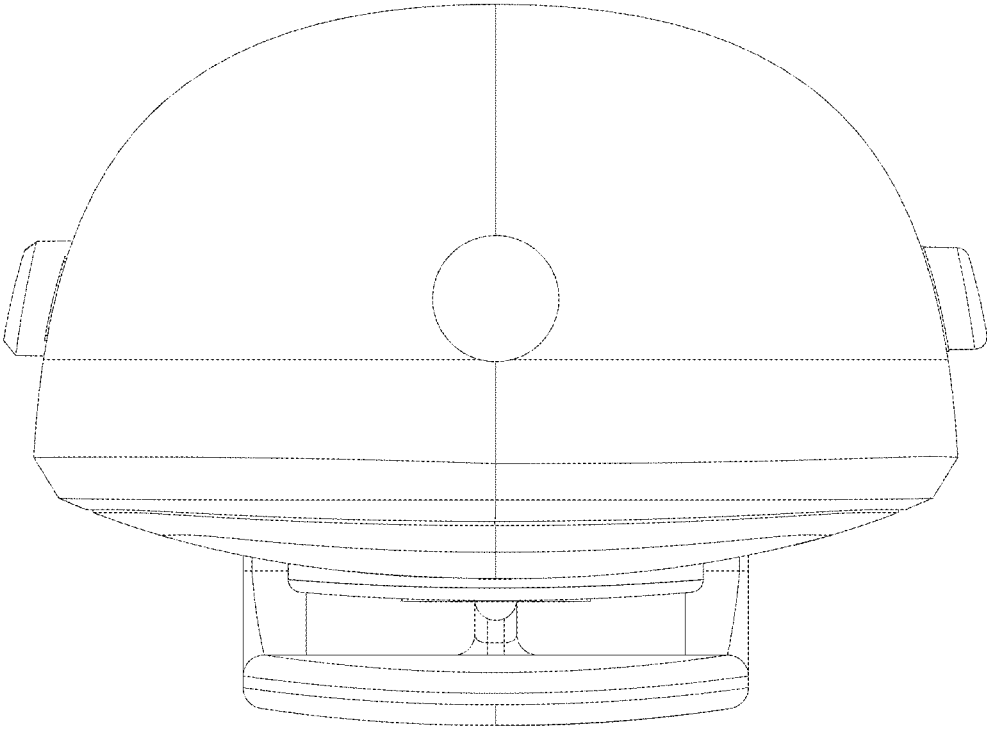


FIG. 15

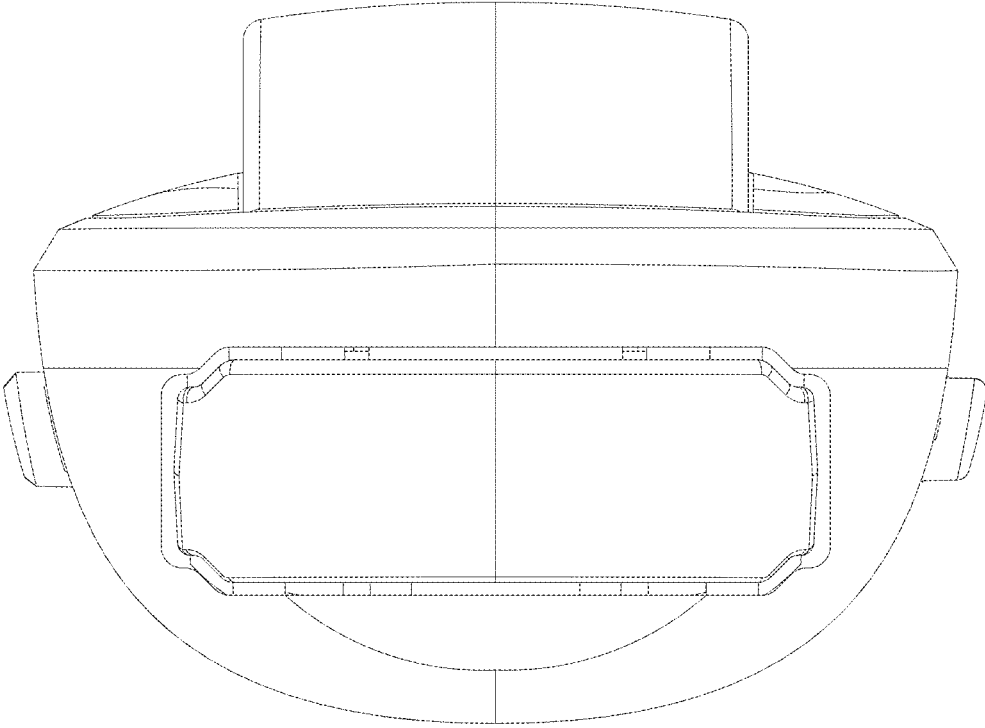


FIG. 16