



US00D725999S

(12) **United States Design Patent**
Wu

(10) **Patent No.:** **US D725,999 S**

(45) **Date of Patent:** **** Apr. 7, 2015**

(54) **HANGING BRACKET FOR CLEANING SUPPLIES**

(71) Applicant: **Chia-Lun Wu**, Tainan (TW)

(72) Inventor: **Chia-Lun Wu**, Tainan (TW)

(**) Term: **14 Years**

(21) Appl. No.: **29/473,091**

(22) Filed: **Nov. 19, 2013**

(51) **LOC (10) Cl.** **08-05**

(52) **U.S. Cl.**

USPC **D8/373**

(58) **Field of Classification Search**

USPC D6/512, 524, 534, 553, 526, 527, 528,
D6/529, 511, 567; D8/349, 354, 499, 737,
D8/363; 211/1, 86.1, 87.1, 183, 71.1, 72,
211/85.18, 65; 248/127, 176.1, 200, 207,
248/300, 309.1, 316.8, 311.2, 311.3, 694,
248/110; 312/245, 352; D7/707

See application file for complete search history.

(56) **References Cited**

U.S. PATENT DOCUMENTS

712,824 A *	11/1902	Masland	211/65
D41,366 S *	5/1911	Leemann	D8/373
3,794,181 A *	2/1974	Canham	211/65
D253,748 S *	12/1979	Kovacs	D8/363
D278,777 S *	5/1985	Martin	D6/534

D287,916 S *	1/1987	DelGarbino et al.	D6/567
5,027,478 A *	7/1991	Suhr	24/16 R
D372,419 S *	8/1996	Ikegami	D8/382
5,704,495 A *	1/1998	Bale et al.	211/71.01
D414,210 S *	9/1999	Davis	D19/85
D419,018 S *	1/2000	Jeynes	D6/534
D474,057 S *	5/2003	Knox et al.	D6/534
D513,948 S *	1/2006	Martin	D7/707
D514,431 S *	2/2006	Tanaka et al.	D8/354
D651,028 S *	12/2011	Grimaldi	D6/511

* cited by examiner

Primary Examiner — Sheryl Lane

Assistant Examiner — Ieisha Price

(74) *Attorney, Agent, or Firm* — Alan D. Kamrath; Kamrath IP Lawfirm, P.A.

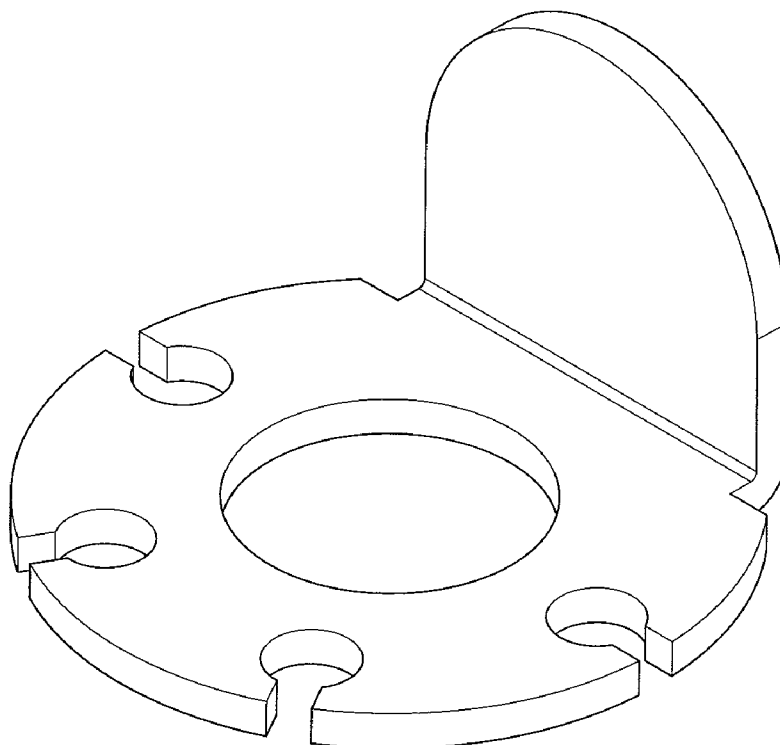
(57) **CLAIM**

The ornamental design for a hanging bracket for cleaning supplies, as shown and described.

DESCRIPTION

FIG. 1 is a perspective view of a hanging bracket for cleaning supplies showing my design; FIG. 2 is a front elevational view thereof; FIG. 3 is a rear elevational view thereof; FIG. 4 is a left elevational view thereof; FIG. 5 is a right elevational view thereof; FIG. 6 is a top plan view thereof; and, FIG. 7 is a bottom plan view thereof.

1 Claim, 4 Drawing Sheets



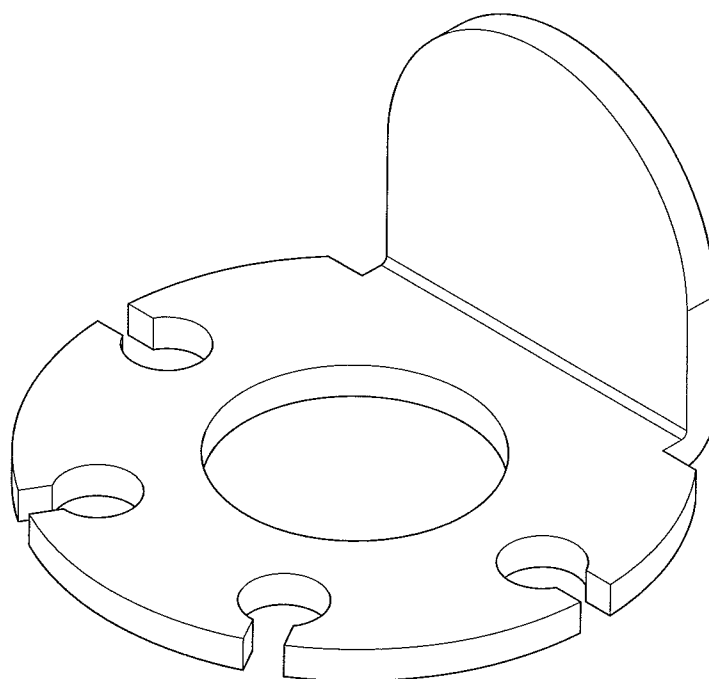


Fig. 1

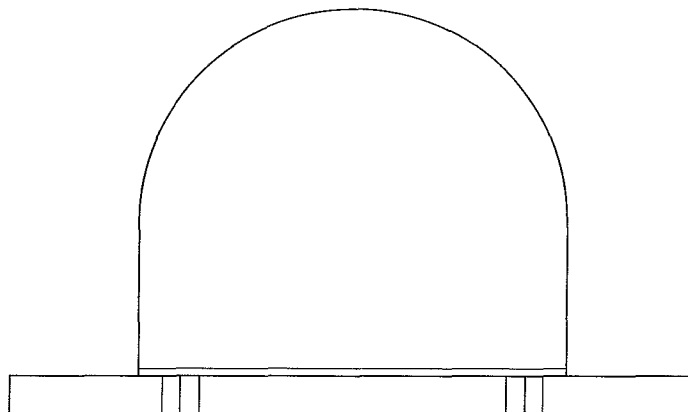


Fig. 2

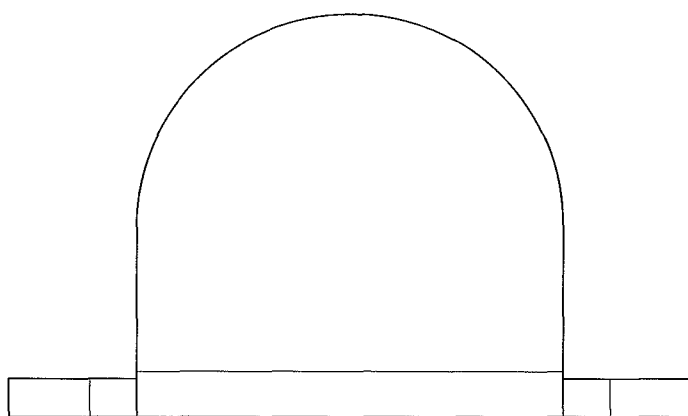


Fig. 3

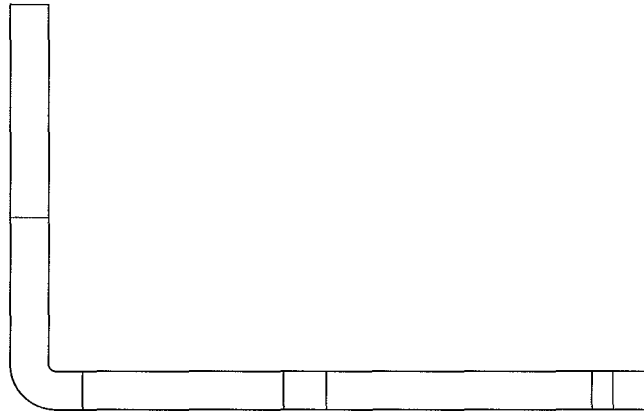


Fig. 4

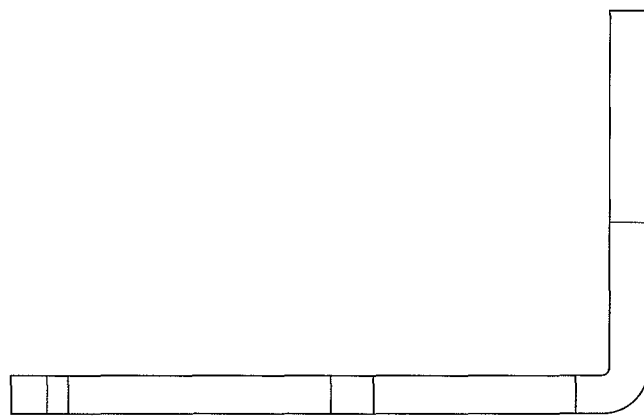


Fig. 5

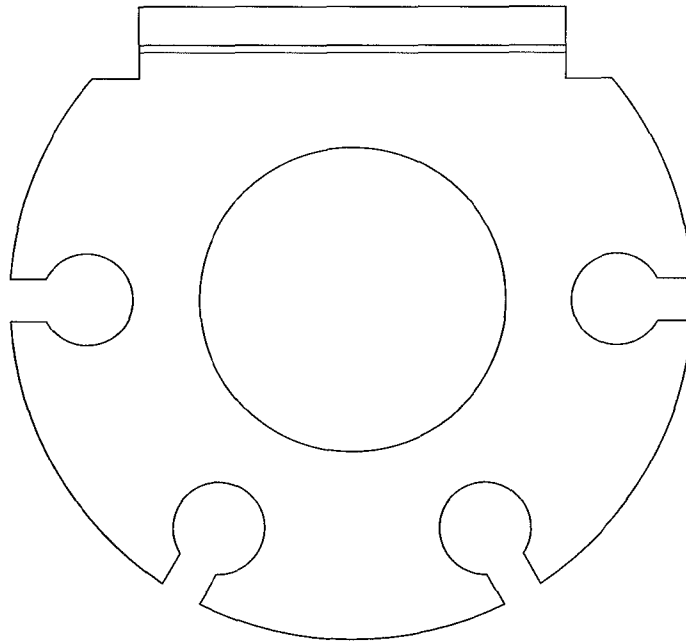


Fig. 6

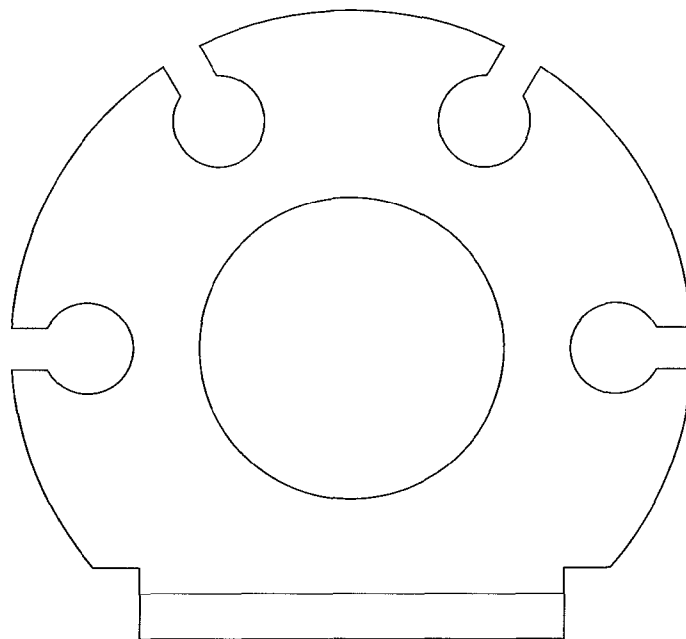


Fig. 7