



(12) **United States Design Patent**
Sacchetti

(10) **Patent No.:** **US D1,032,520 S**
(45) **Date of Patent:** **** Jun. 25, 2024**

(54) **TWIN PORT ADAPTER**

OTHER PUBLICATIONS

(71) Applicant: **ALCOR SCIENTIFIC LLC**,
Smithfield, RI (US)

“International Search Report and Written Opinion received for PCT Patent Application No. PCT/US2022/075110, mailed on Jan. 17, 2023”, 11 pages.

(72) Inventor: **Peter J. Sacchetti**, North Falmouth,
MA (US)

(Continued)

(73) Assignee: **ALCOR SCIENTIFIC LLC**

Primary Examiner — Derrick E Holland

(74) *Attorney, Agent, or Firm* — Adler Pollock & Sheehan P.C

(**) Term: **15 Years**

(57) **CLAIM**

(21) Appl. No.: **29/876,908**

The ornamental design for a twin port adapter, as shown and described.

(22) Filed: **May 30, 2023**

DESCRIPTION

(51) **LOC (14) Cl.** **24-02**

(52) **U.S. Cl.**

USPC **D24/127**

(58) **Field of Classification Search**

USPC D13/101, 110, 118, 123, 133, 154, 184,
D13/199; D24/107, 110.6, 111, 114, 127,
D24/129

CPC A61J 15/0015; A61J 15/0053; A61J
15/0076; A61J 15/0088; A61J 15/0092;
A61M 2205/121; A61M 2205/128; A61M
5/14232; A61M 5/16827; G16H 40/63

See application file for complete search history.

FIG. 1 is a top perspective view of a twin port adapter, with an arm thereof in an open position;
FIG. 2 is a front view thereof;
FIG. 3 is a rear view thereof;
FIG. 4 is a right side view thereof;
FIG. 5 is a left side view thereof;
FIG. 6 is a top view thereof;
FIG. 7 is a bottom view thereof;
FIG. 8 is a top perspective view thereof, with the arm thereof in a closed position;
FIG. 9 is a front view thereof;
FIG. 10 is a rear view thereof;
FIG. 11 is a right side view thereof;
FIG. 12 is a left side view thereof;
FIG. 13 is a top view thereof;
FIG. 14 is a bottom view thereof;
FIG. 15 is a top right perspective view thereof, with the arm thereof in the closed position shown in environmental use; and,
FIG. 16 is a top left perspective view thereof, with the arm thereof in the closed position shown in environmental use. The broken lines shown depict environmental subject matter and form no part of the claimed design.

(56) **References Cited**

U.S. PATENT DOCUMENTS

3,411,534 A 11/1968 Rose
4,061,142 A 12/1977 Tuttle
4,723,948 A 2/1988 Clark et al.
4,783,045 A 11/1988 Tartaglino

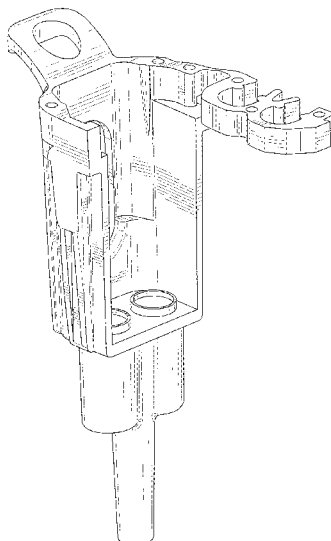
(Continued)

FOREIGN PATENT DOCUMENTS

CN 110327218 A 10/2019
EP 1604699 A2 12/2005

(Continued)

1 Claim, 15 Drawing Sheets



(56)

References Cited

U.S. PATENT DOCUMENTS

4,878,646 A 11/1989 Edelman et al.
 5,007,803 A 4/1991 Divito et al.
 5,026,020 A 6/1991 Betush
 D318,718 S * 7/1991 Blatt D23/262
 5,385,372 A 1/1995 Utterberg
 5,429,485 A 7/1995 Dodge
 6,488,660 B1 12/2002 Futterknecht
 6,632,073 B2 10/2003 Newcomer
 6,749,090 B2 6/2004 Bailey
 D523,553 S * 6/2006 Beck D24/111
 D578,209 S * 10/2008 Schurg D24/111
 7,896,310 B2 3/2011 Johansson et al.
 8,152,780 B2 4/2012 Evans et al.
 D672,455 S * 12/2012 Beck D24/111
 8,387,943 B1 3/2013 Mattheis
 8,425,470 B2 4/2013 Beck et al.
 8,807,517 B2 8/2014 Townsend
 8,876,787 B2 11/2014 Beck et al.
 D745,963 S * 12/2015 Mollstam D24/111
 9,707,068 B2 7/2017 Drager et al.
 9,976,545 B2 5/2018 Glauber et al.
 10,174,849 B2 1/2019 Javaheri
 10,376,447 B2 8/2019 Besser et al.
 11,213,460 B2 * 1/2022 O'Keefe A61J 15/0053
 2003/0212381 A1 11/2003 Whitehead, III
 2004/0097903 A1 5/2004 Raulerson
 2005/0267418 A1 12/2005 Fournie et al.
 2006/0167415 A1 7/2006 Nemoto
 2009/0270842 A1 10/2009 Blocher et al.

2010/0211022 A1 8/2010 Harr et al.
 2013/0277443 A1 10/2013 Croll et al.
 2014/0249412 A1 9/2014 Yamamoto
 2018/0216539 A1 8/2018 Widener et al.
 2018/0245699 A1 8/2018 Lee
 2018/0360695 A1 12/2018 Jedwab et al.
 2019/0388618 A1 12/2019 Biermann et al.
 2020/0000682 A1 1/2020 Hoffstetter
 2020/0085696 A1 3/2020 Harr
 2020/0096120 A1 3/2020 Bargh
 2020/0179671 A1 6/2020 Geppert et al.
 2020/0393336 A1 12/2020 Jones et al.
 2021/0000694 A1 1/2021 Bauer et al.
 2021/0212903 A1 7/2021 Okeefe et al.
 2021/0298995 A1 9/2021 Elia et al.
 2023/0363981 A1 11/2023 Sacchetti et al.

FOREIGN PATENT DOCUMENTS

EP 1604699 B1 7/2014
 EP 2108086 B1 8/2018
 JP 2008-208879 A 9/2008
 WO 2021055804 A1 3/2021

OTHER PUBLICATIONS

“International Search Report and Written Opinion received for PCT Patent Application No. PCT/US2023/067642, mailed on Feb. 26, 2024”, 12 pages.

* cited by examiner

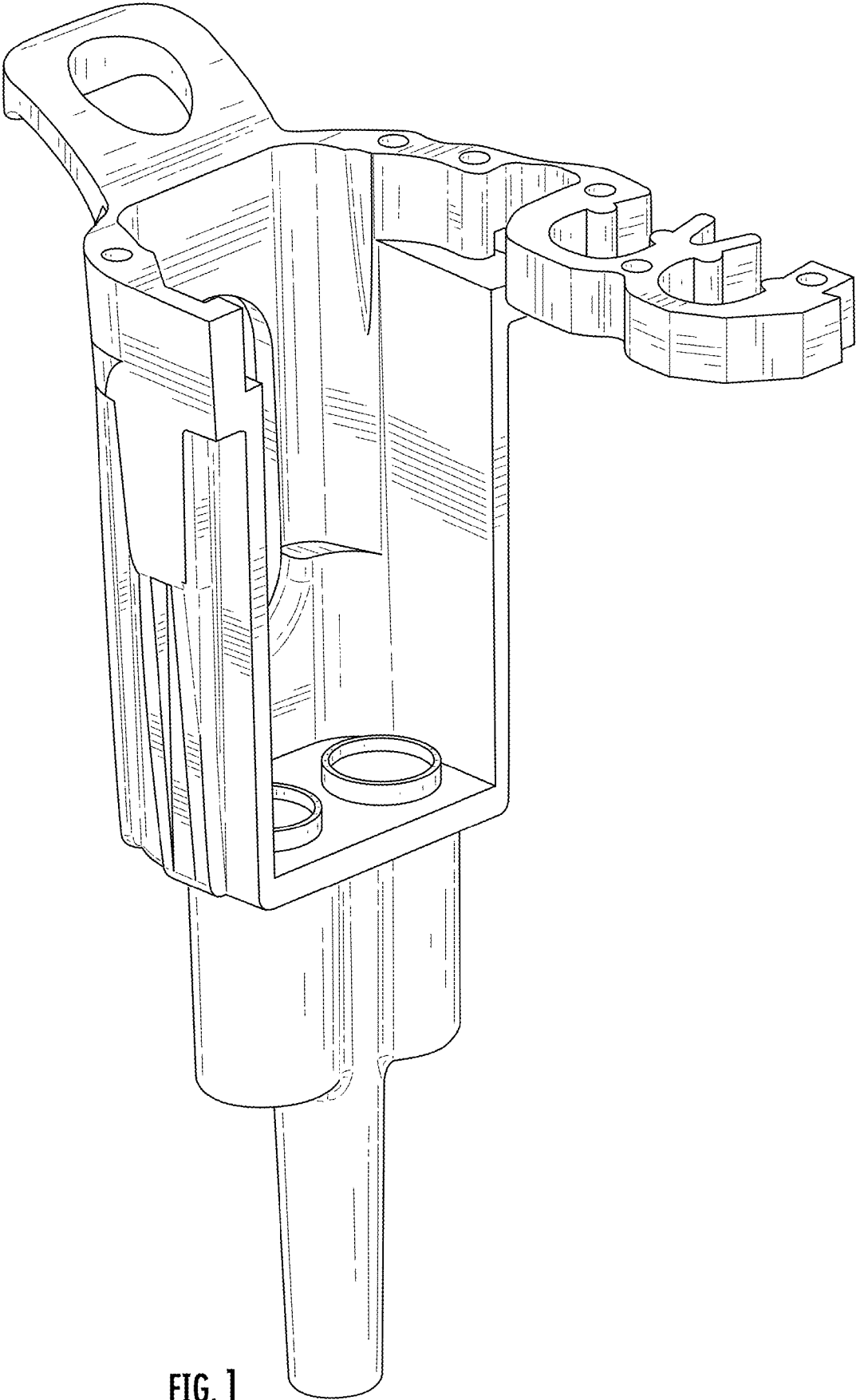


FIG. 1

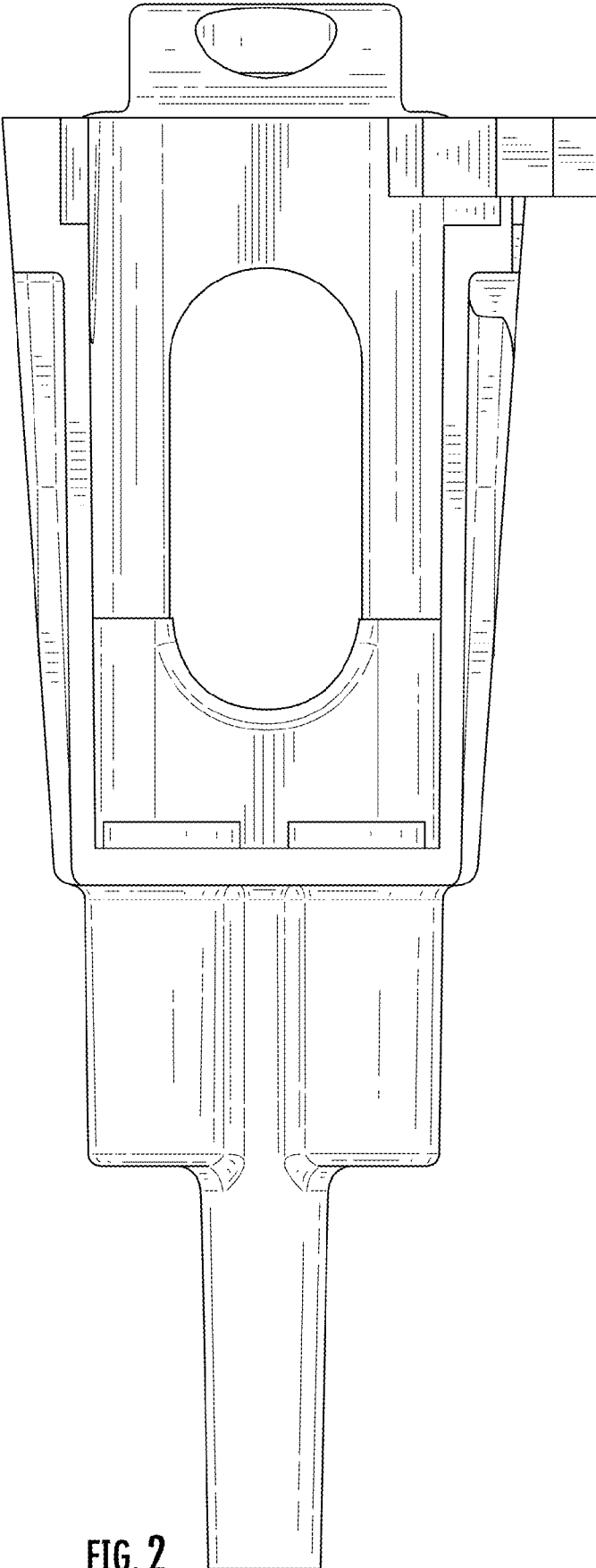


FIG. 2

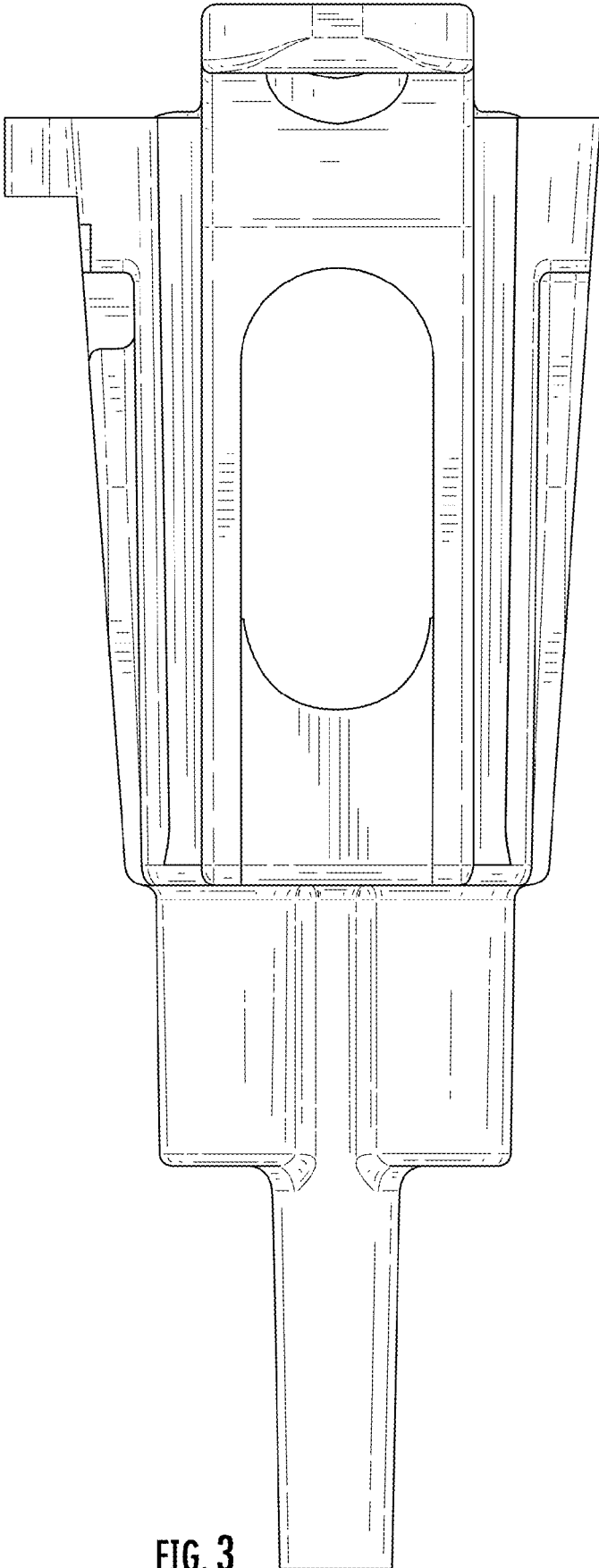


FIG. 3

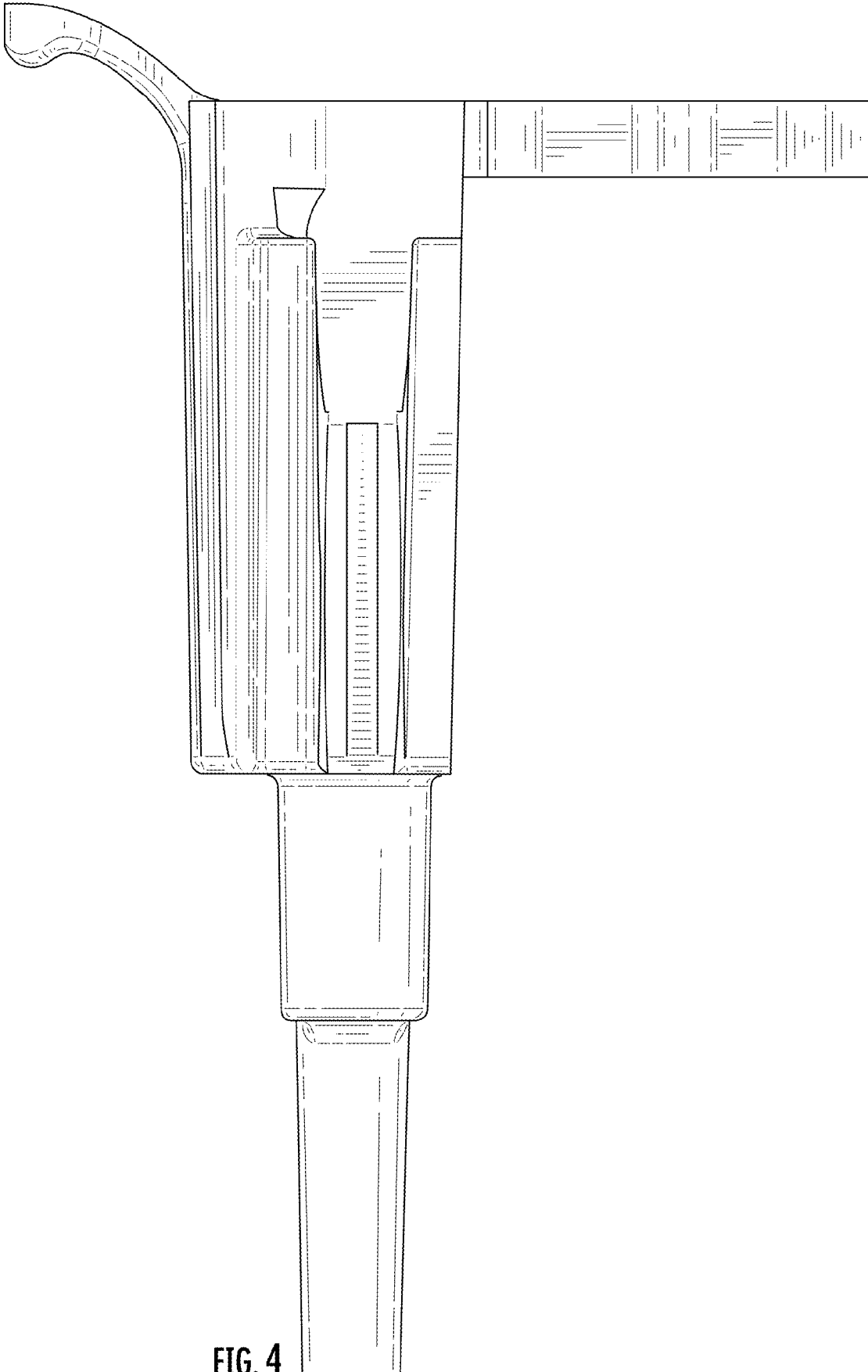


FIG. 4

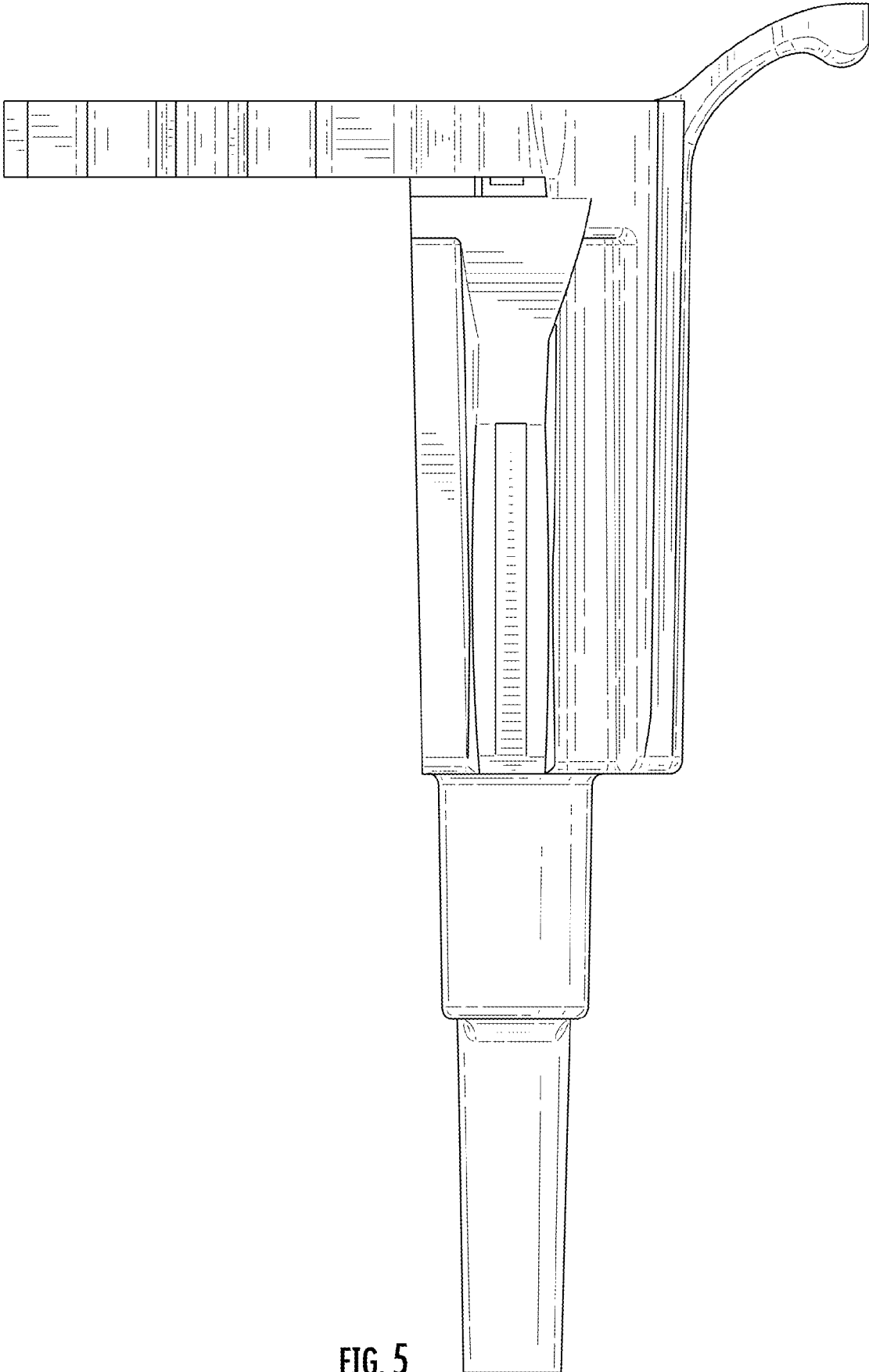
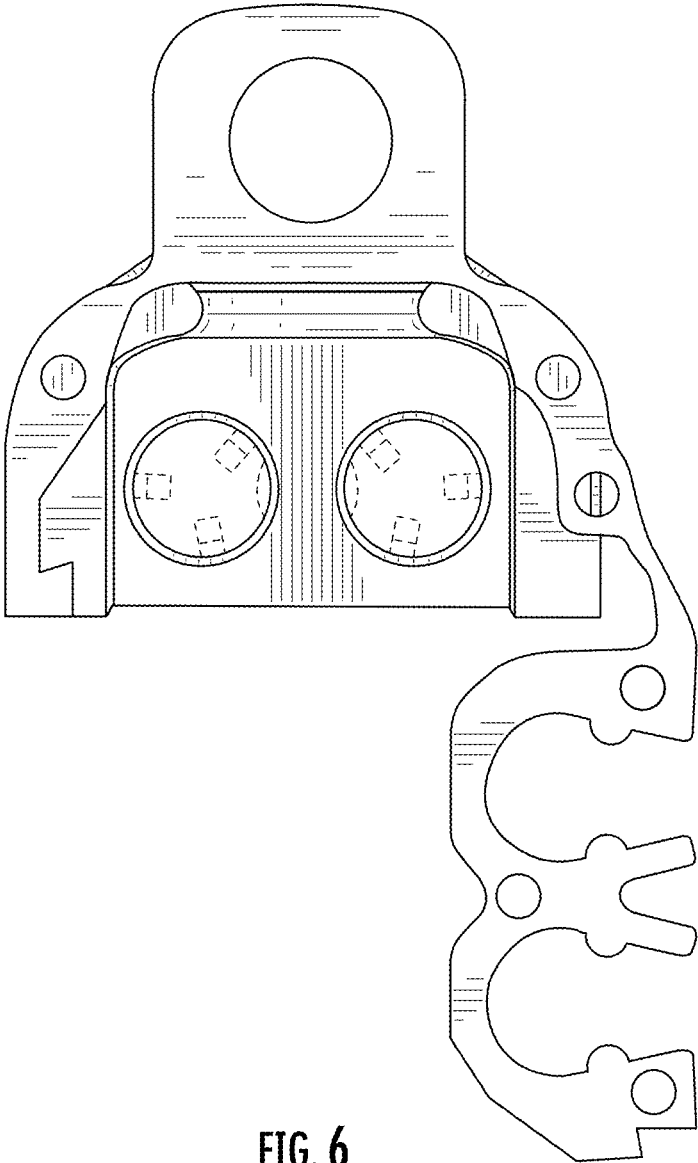


FIG. 5



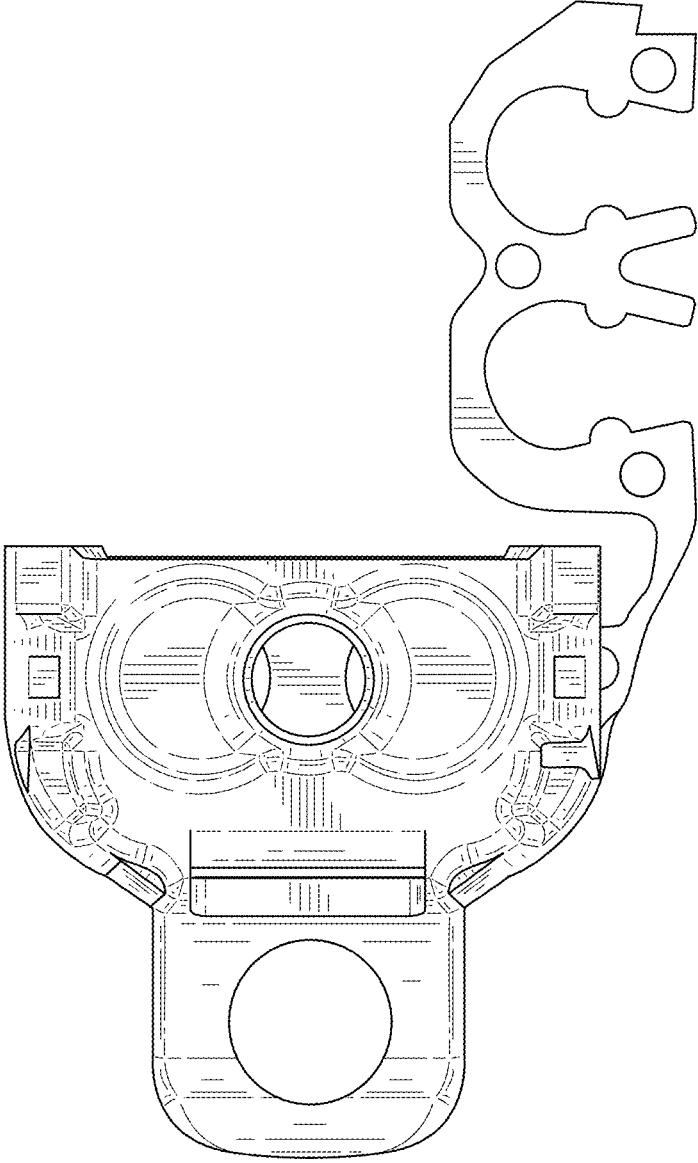


FIG. 7

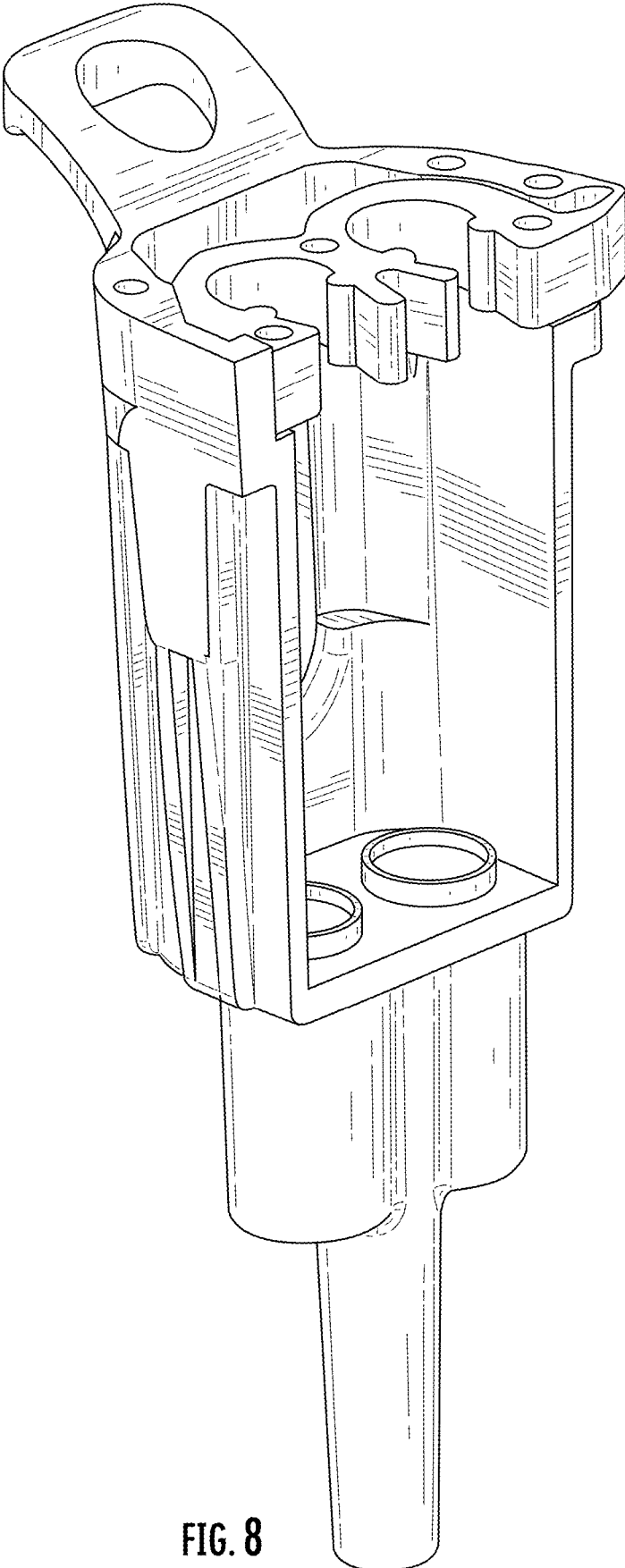


FIG. 8

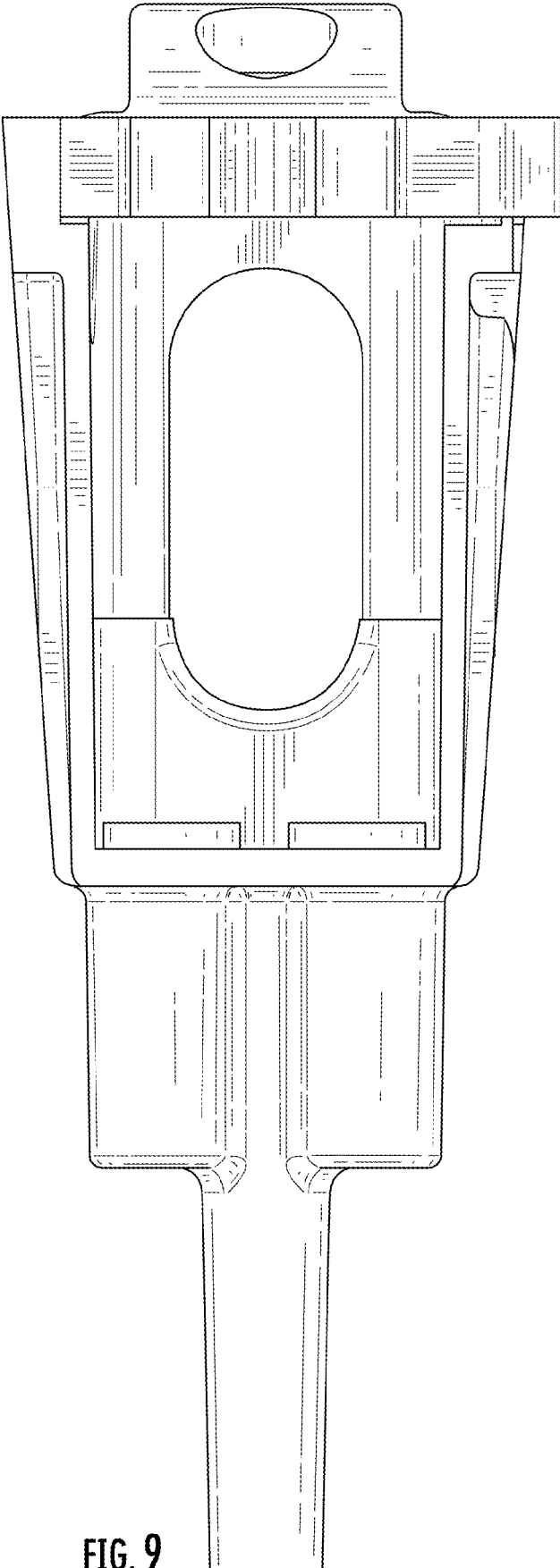


FIG. 9

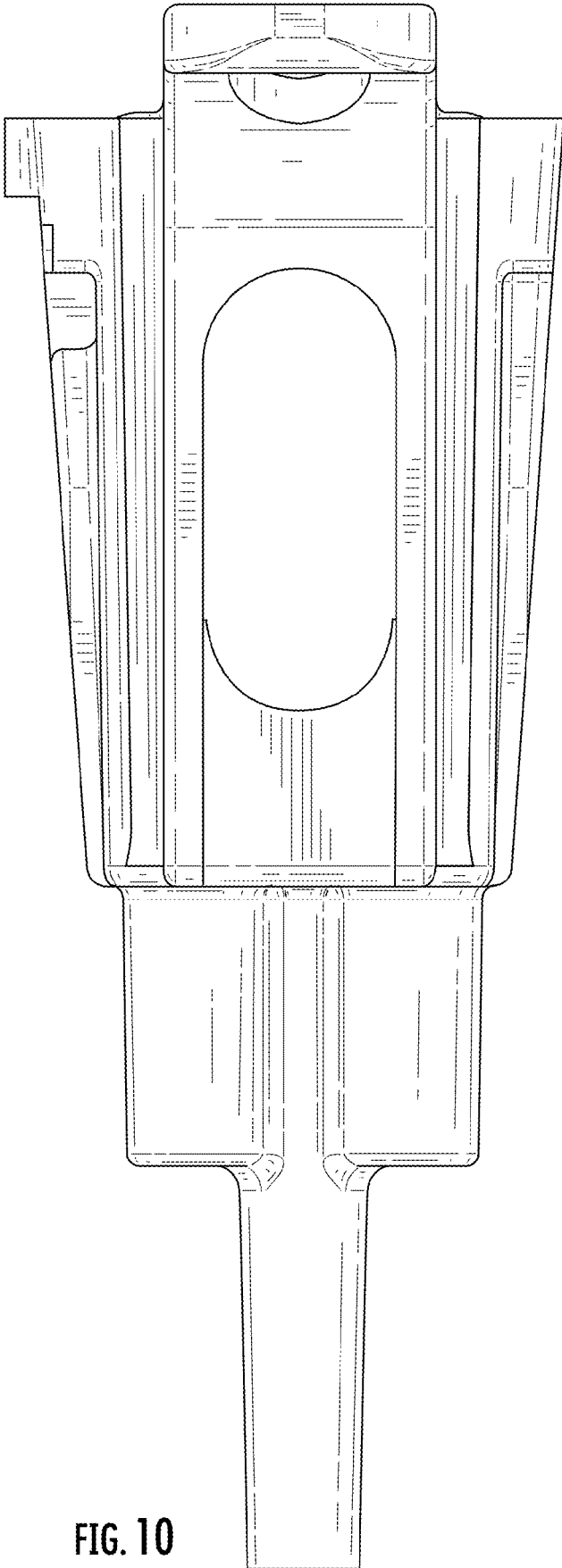


FIG. 10

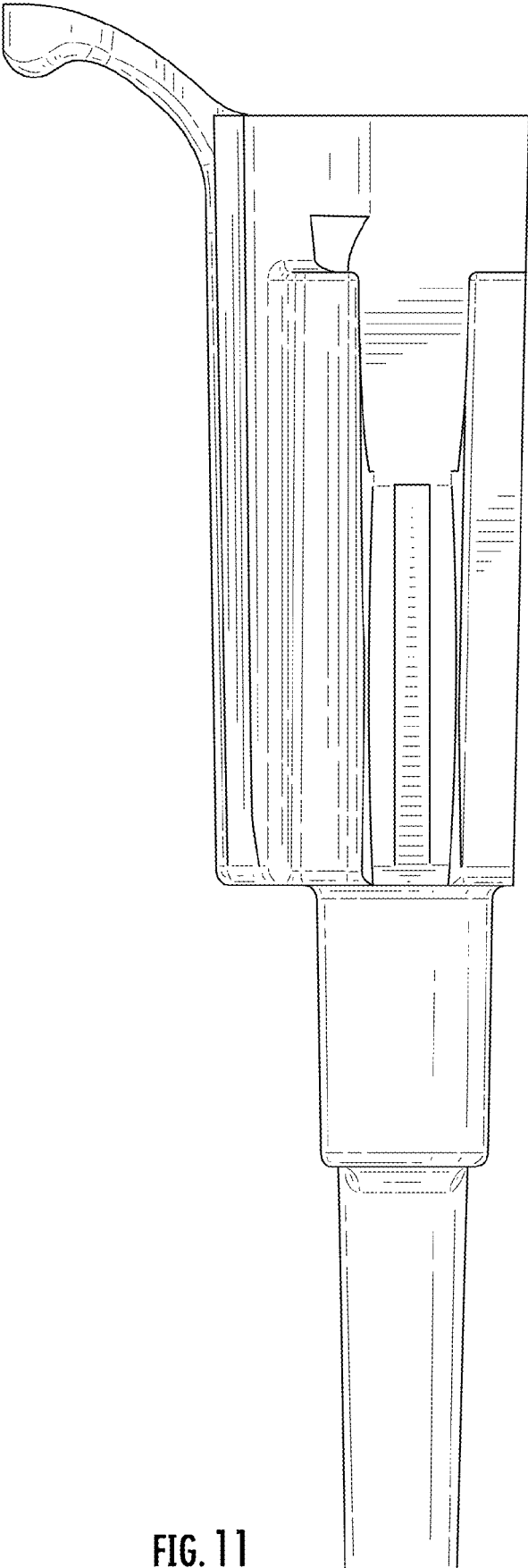


FIG. 11

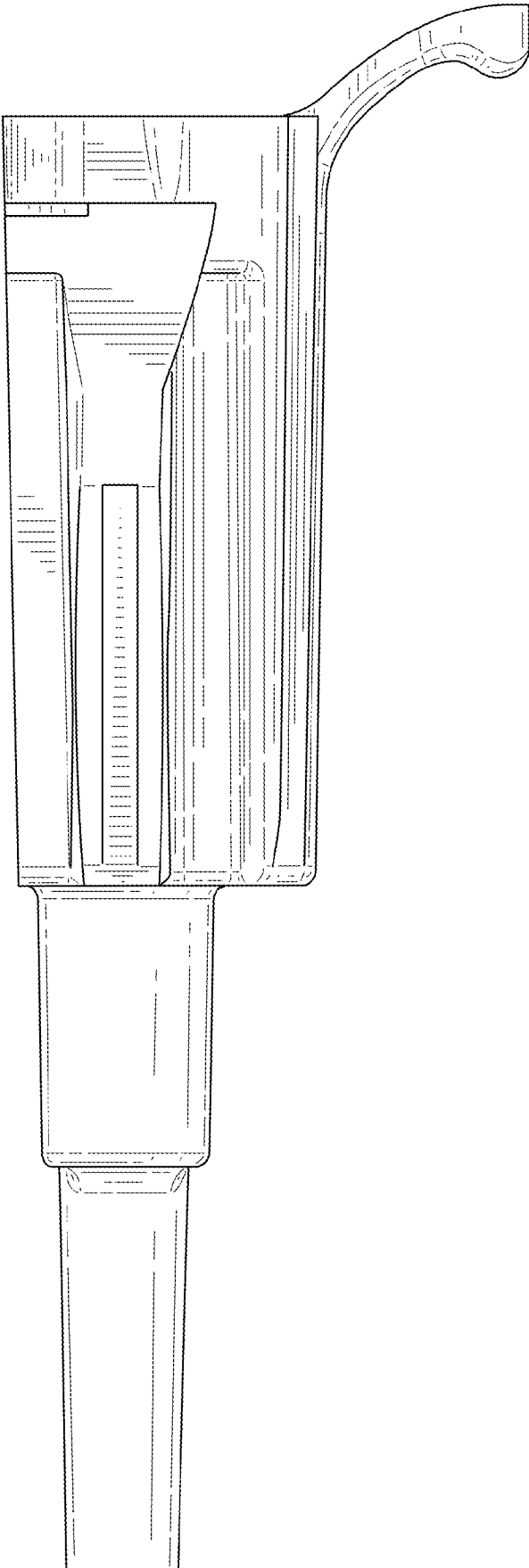


FIG. 12

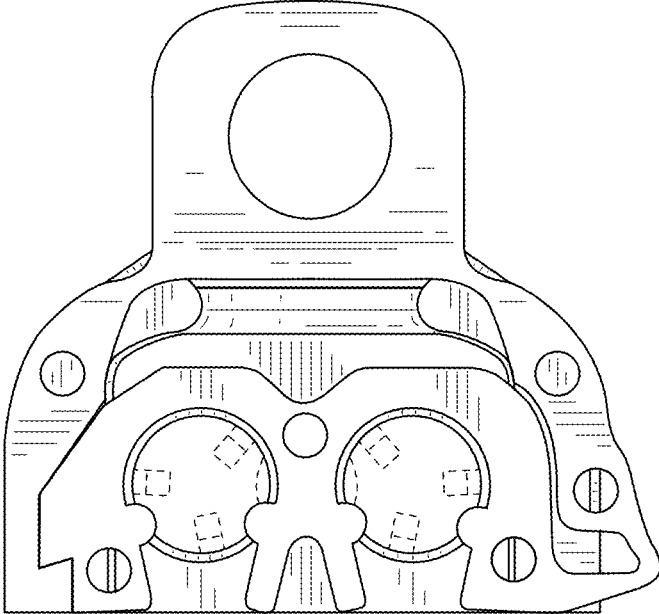


FIG. 13

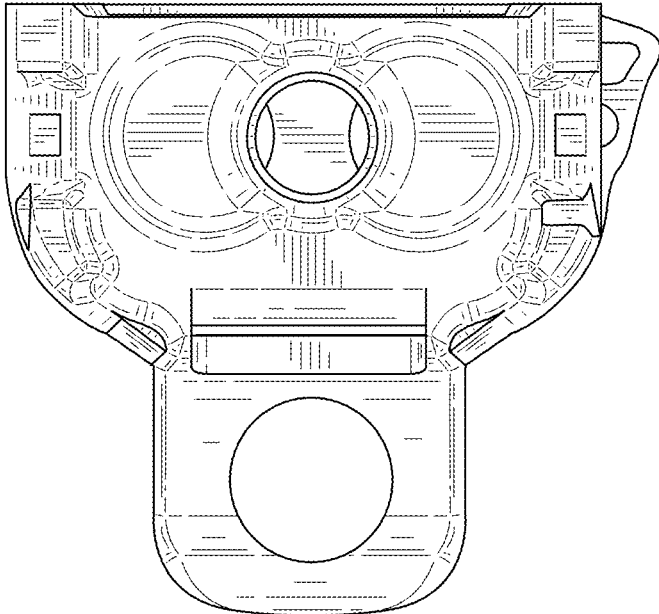


FIG. 14

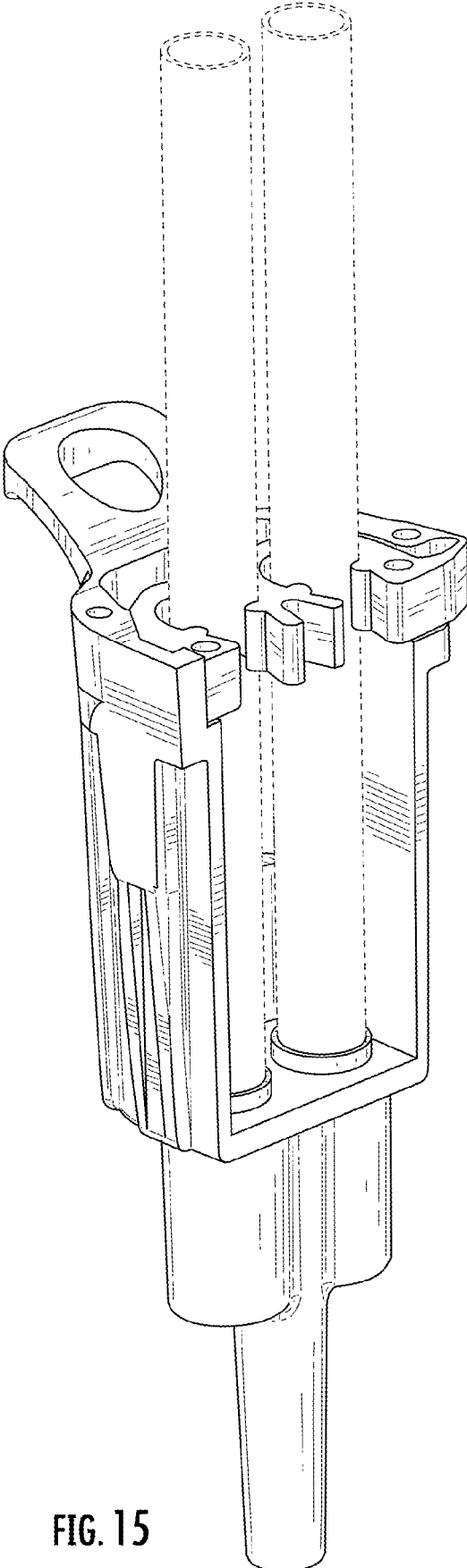


FIG. 15

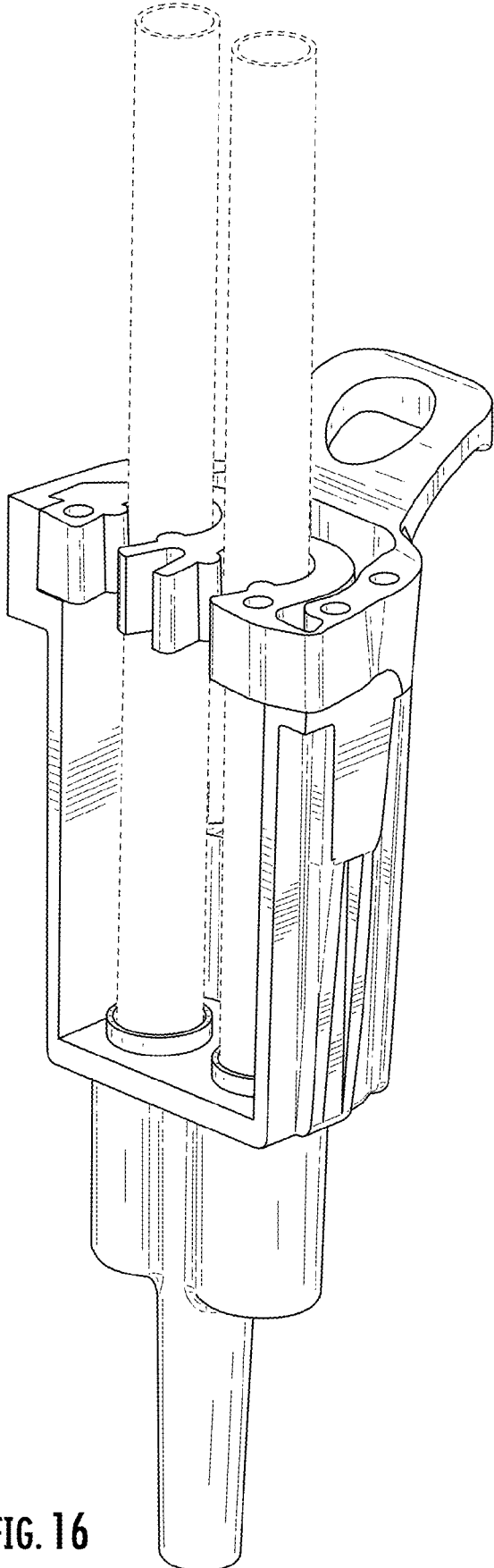


FIG. 16