



US00D863661S

(12) **United States Design Patent** (10) **Patent No.:** **US D863,661 S**
Tian et al. (45) **Date of Patent:** **** Oct. 15, 2019**

(54) **RADIAL LIGHT FIXTURE** D589,207 S * 3/2009 Fujiwara D26/138
D624,691 S * 9/2010 Zhang D26/138
(71) Applicant: **NJZ Lighting Technology**, Peachtree D651,738 S * 1/2012 Guercio D13/179
Corners, GA (US) D666,334 S * 8/2012 Kim D26/2
D671,668 S * 11/2012 Rowlette, Jr. D26/74
(72) Inventors: **Wen Feng Tian**, Nanjing (CN); **Cheng** D700,737 S * 3/2014 Campagna D26/142
Lin Pan, Nanjing (CN); **Jie Yu Shu**, D701,980 S * 4/2014 Ke D26/2
Nanjing (CN); **Jing Fang Miao**, D726,363 S * 4/2015 Danesh D26/138
Nanjing (CN) D735,933 S * 8/2015 Campagna D26/142
D745,211 S * 12/2015 Serwacki D26/138
(73) Assignee: **NJZ Lighting Technology USA, Inc.**, D770,673 S * 11/2016 Hasan D26/138
Gurnee, IL (US) D773,112 S * 11/2016 Dir D26/138
D800,957 S * 10/2017 Eder D26/138
D822,890 S * 7/2018 Musser D26/138
D827,914 S * 9/2018 Momin D26/124
(**) Term: **15 Years** 2017/0138576 A1* 5/2017 Peng F21S 8/02

* cited by examiner

(21) Appl. No.: **29/623,569**

Primary Examiner — Natasha Vujcic
(74) *Attorney, Agent, or Firm* — James Joyce; Godfrey & Kahn, S.C.

(22) Filed: **Oct. 25, 2017**

(51) **LOC (12) Cl.** **26-05**

(52) **U.S. Cl.** **D26/138**

(58) **Field of Classification Search**
USPC **D26/138**
USPC D26/76, 78, 79, 80, 81, 82, 83, 85, 86,
D26/88, 90, 93, 111, 113, 118, 119, 120,
D26/121, 122, 138, 139, 140, 141, 142,
D26/152

CPC F21S 2/00; F21S 4/00; F21S 4/003; F21S
4/005; F21S 4/006; F21S 4/007; F21S
4/008; F21S 6/00; F21S 8/00; F21S
8/024; F21S 8/026; F21S 8/031; F21S
8/033; F21S 8/035-037; F21S 8/04; F21S
8/043; F21S 8/063
See application file for complete search history.

(56) **References Cited**

U.S. PATENT DOCUMENTS

D427,368 S * 6/2000 Kelmelis D26/118
D469,916 S * 2/2003 Caferro D26/123

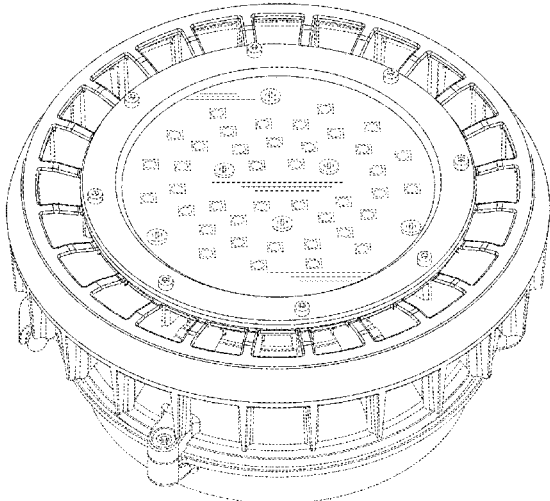
(57) **CLAIM**

The ornamental design for a radial light fixture, as shown and described.

DESCRIPTION

FIG. 1 is a top front perspective view of a radial light fixture showing our new design;
FIG. 2 is a bottom rear perspective view thereof;
FIG. 3 is a front view thereof;
FIG. 4 is a rear view thereof;
FIG. 5 is a right side view thereof;
FIG. 6 is a left side view thereof;
FIG. 7 is a bottom view thereof; and,
FIG. 8 is a top view thereof.
The broken lines in the figures show portions of the radial light fixture that form no part of the claimed design.

1 Claim, 8 Drawing Sheets



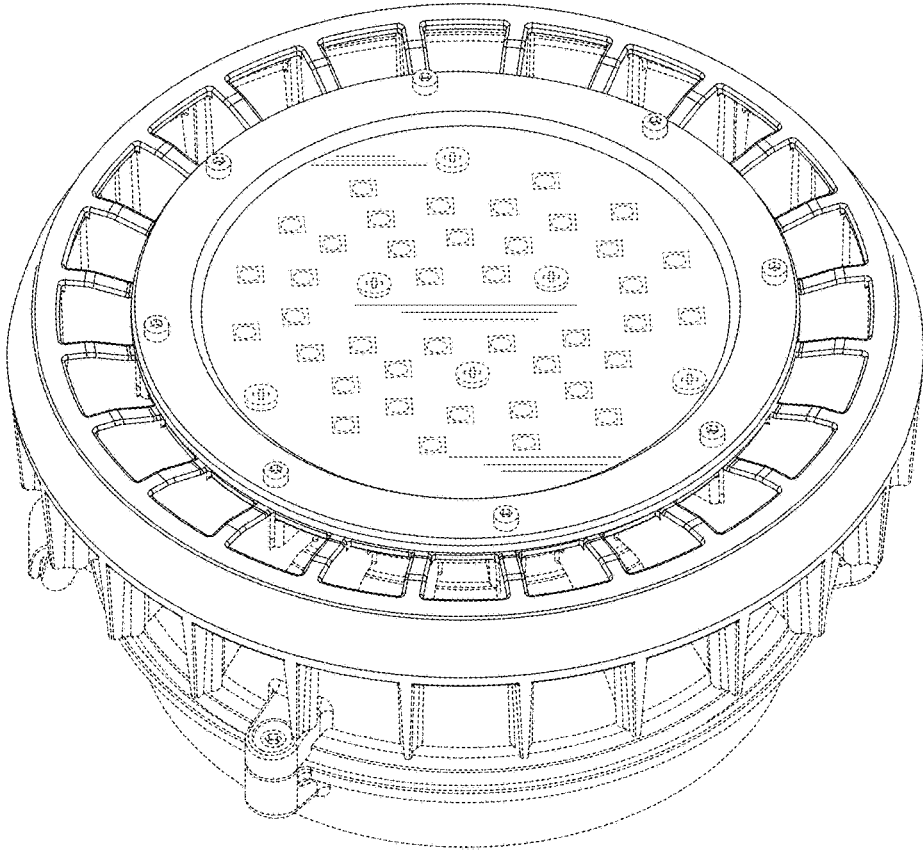


FIG. 1

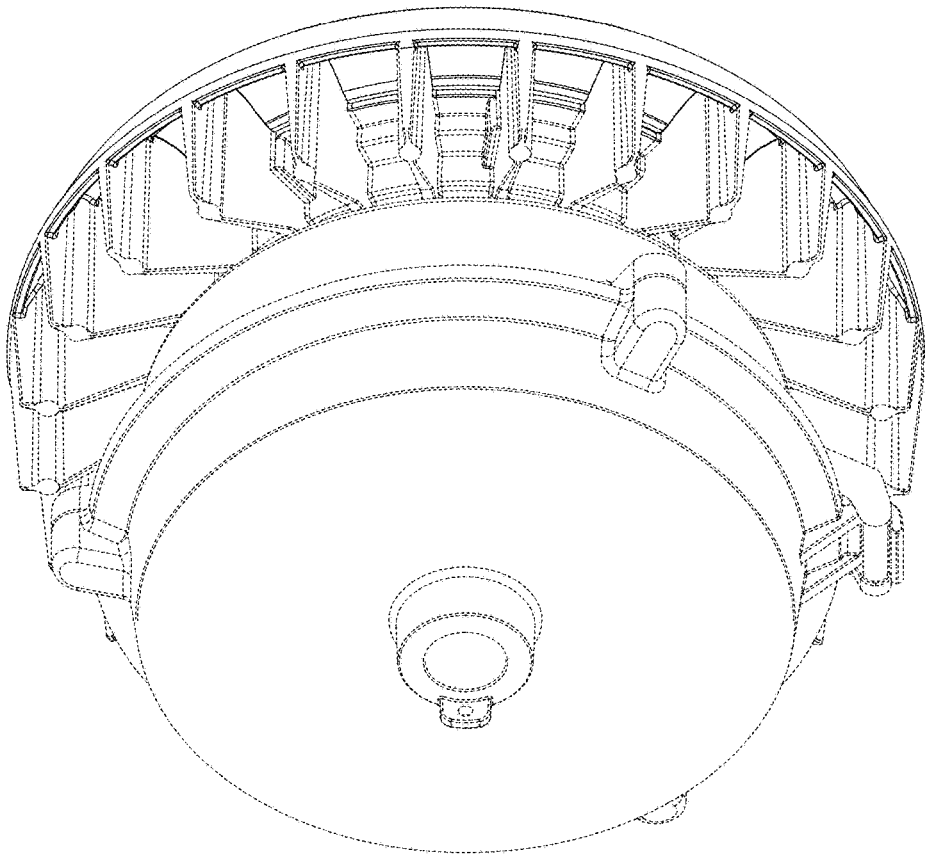


FIG. 2

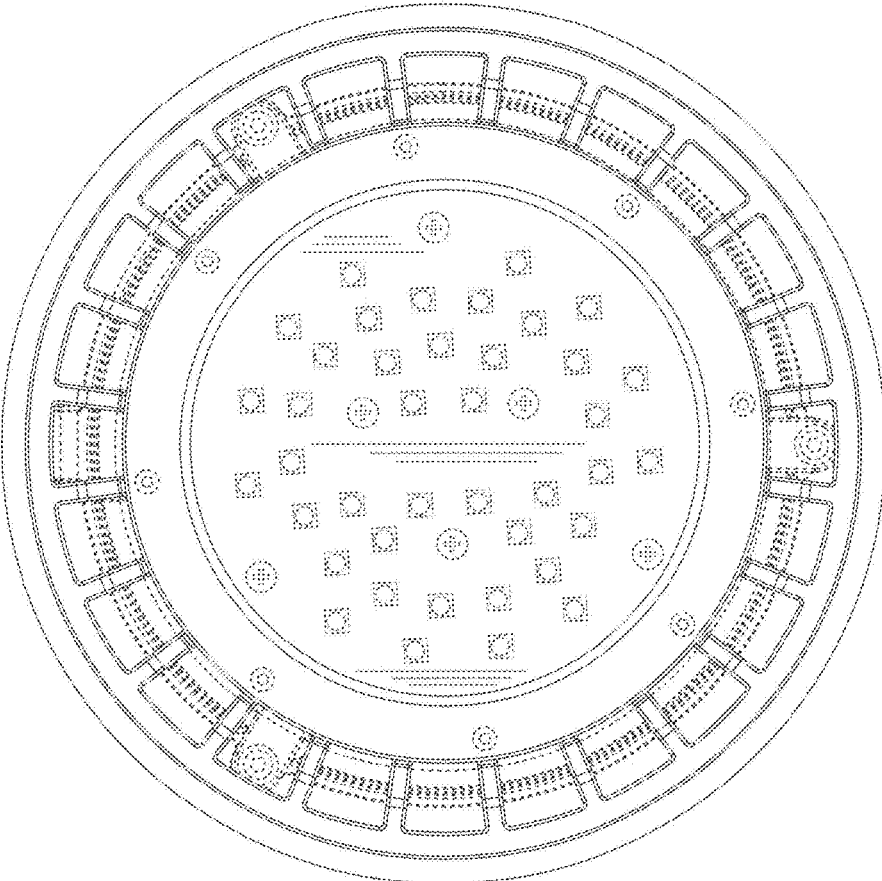


FIG. 3

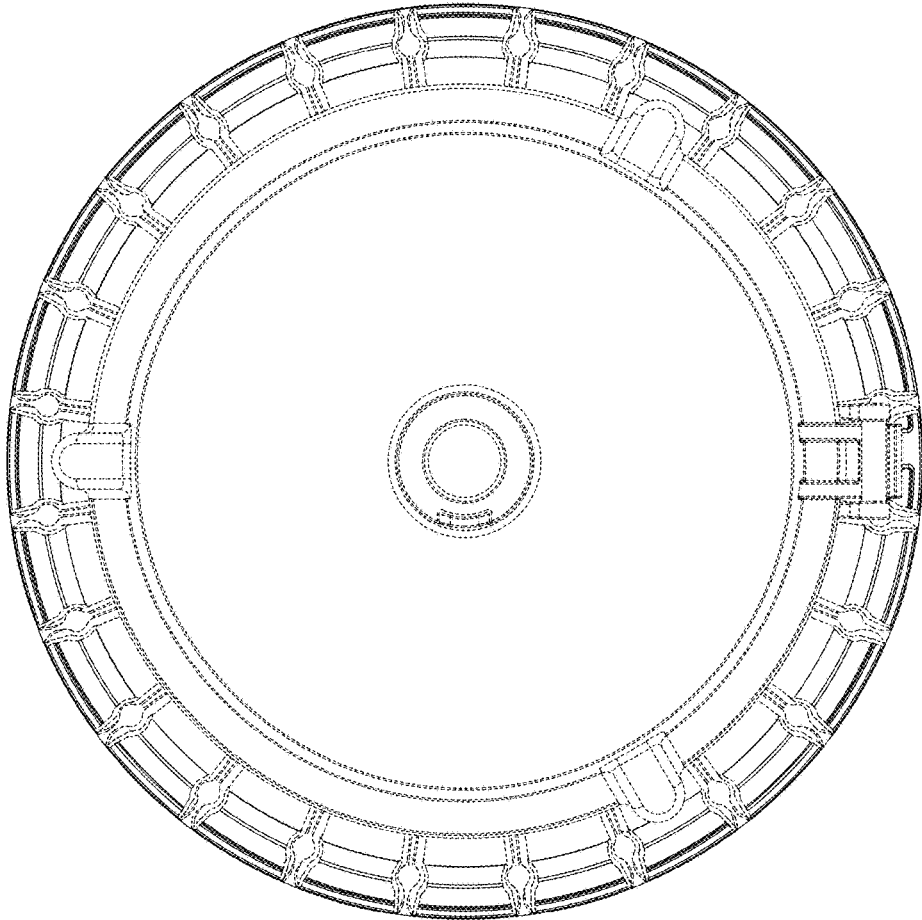


FIG. 4

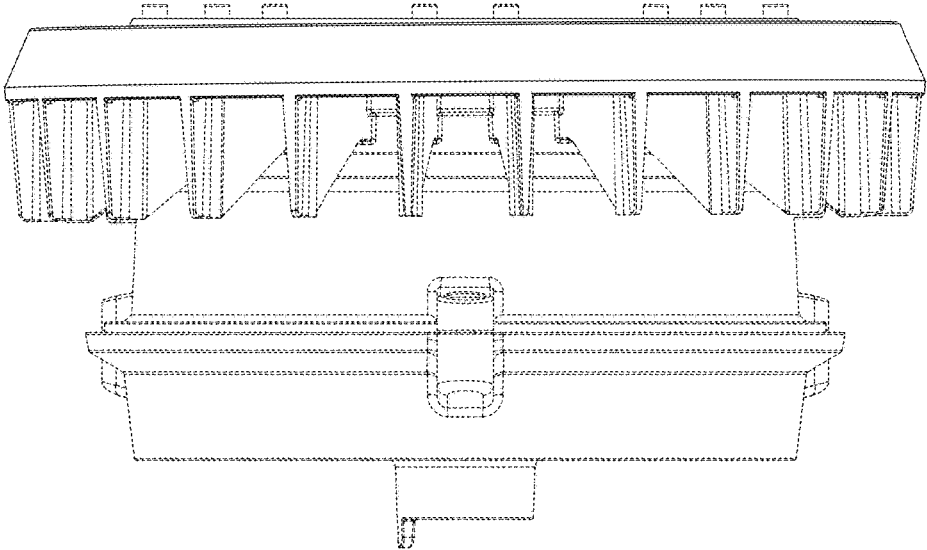


FIG. 5

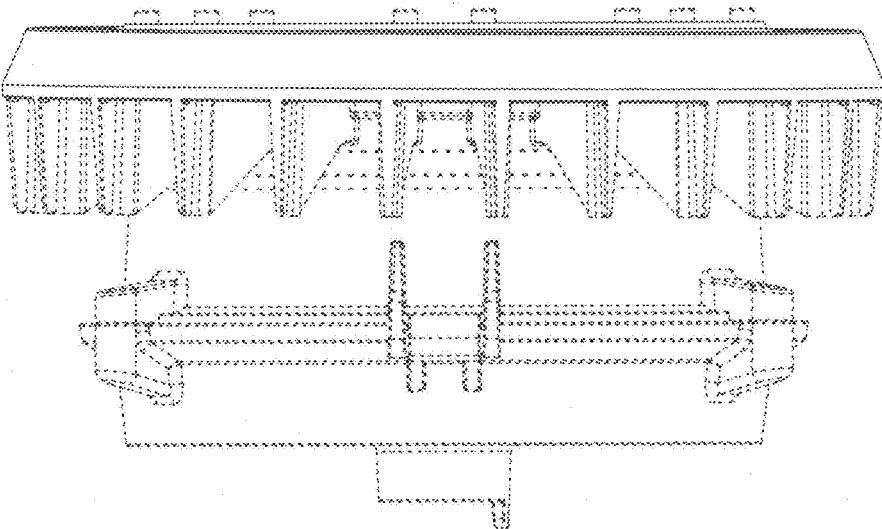


FIG. 6

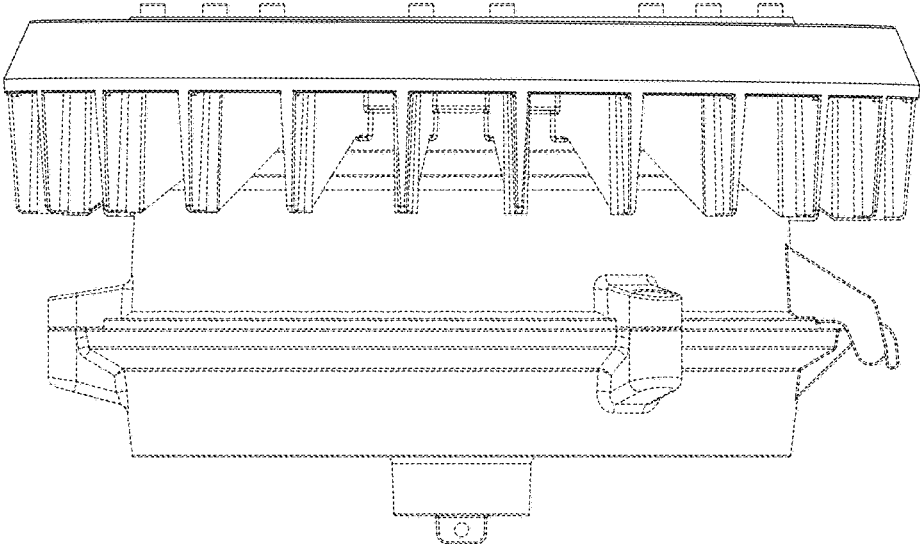


FIG. 7

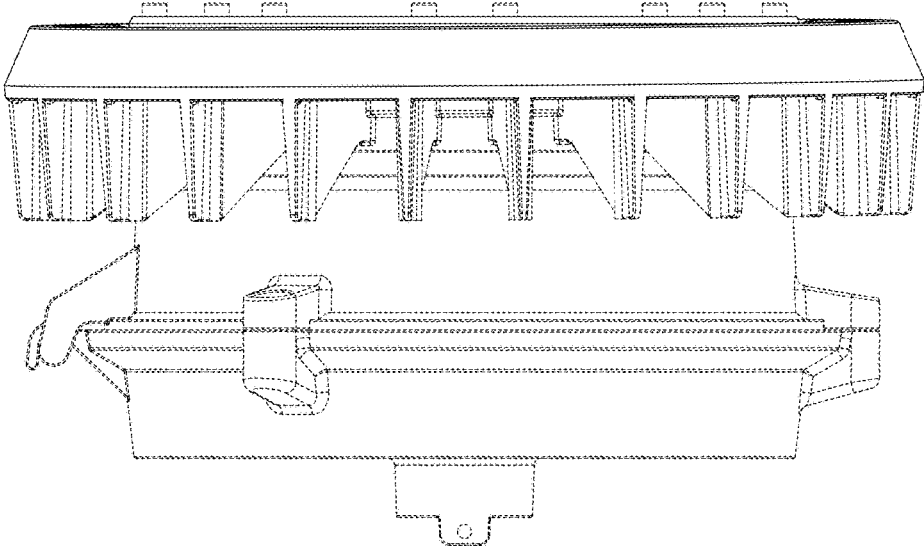


FIG. 8