



US00D666990S

(12) **United States Design Patent**
Komiyama et al.

(10) **Patent No.:** **US D666,990 S**

(45) **Date of Patent:** **** Sep. 11, 2012**

(54) **HEADPHONE**

(75) Inventors: **Jun Komiyama**, Tokyo (JP); **Sohei Kitayama**, Tokyo (JP)

(73) Assignee: **Sony Corporation**, Tokyo (JP)

(**) Term: **14 Years**

(21) Appl. No.: **29/371,971**

(22) Filed: **Mar. 9, 2012**

Related U.S. Application Data

(62) Division of application No. 29/371,443, filed on Feb. 28, 2011, now Pat. No. Des. 656,125.

(30) **Foreign Application Priority Data**

Aug. 26, 2010 (JP) D2010-020572
Aug. 27, 2010 (CN) 2010 3 0508542
Aug. 27, 2010 (CN) 2010 3 0508544

(51) **LOC (9) Cl.** **14-01**

(52) **U.S. Cl.** **D14/205**

(58) **Field of Classification Search** D14/205,
D14/206, 223; 181/129, 130, 135; 379/430,
379/431; 381/380, 381, 309, 370, 374, 376,
381/378; 455/90.3, 575.1

See application file for complete search history.

(56) **References Cited**

U.S. PATENT DOCUMENTS

1,483,315	A	2/1924	Saal
2,413,345	A	12/1946	Gilman
D179,467	S	1/1957	Aleks
D184,664	S	3/1959	Clayton
D255,352	S	6/1980	Besasie
4,829,571	A	5/1989	Kakiuchi et al.
5,185,807	A	2/1993	Bergin et al.
D353,817	S	12/1994	Wada
D369,604	S	5/1996	Morimiya
D410,466	S	6/1999	Mouri
D431,550	S	10/2000	Yoneda
D484,868	S	1/2004	Suzuki

D510,335	S	10/2005	Suzuki	
D514,087	S	*	1/2006	Wilson et al. D14/206
D517,045	S		3/2006	Komiyama
D518,474	S		4/2006	Suzuki
D519,110	S		4/2006	Komiyama
D519,497	S		4/2006	Komiyama
D532,407	S		11/2006	Motoishi
D541,255	S		4/2007	Taylor et al.
D549,217	S		8/2007	Viduya et al.
7,388,960	B2		6/2008	Kuo et al.
D573,581	S	*	7/2008	Gondo et al. D14/205
D576,604	S	*	9/2008	Suzuki D14/205
7,457,649	B1	*	11/2008	Wilson 455/575.2
D585,872	S		2/2009	Lee
D588,098	S		3/2009	Kurihara
D594,847	S		6/2009	Suzuki
D597,070	S	*	7/2009	Zheng D14/205
D613,266	S	*	4/2010	Barry et al. D14/205

(Continued)

FOREIGN PATENT DOCUMENTS

JP D1261818 S 2/2006

(Continued)

Primary Examiner — Paula Greene

(74) *Attorney, Agent, or Firm* — Rader, Fishman & Grauer PLLC

(57) **CLAIM**

The ornamental design for a headphone, as shown and described.

DESCRIPTION

FIG. 1 is a perspective view of a headphone showing our new design;

FIG. 2 is a front elevational view thereof;

FIG. 3 is a rear elevational view thereof;

FIG. 4 is a left side elevational view thereof;

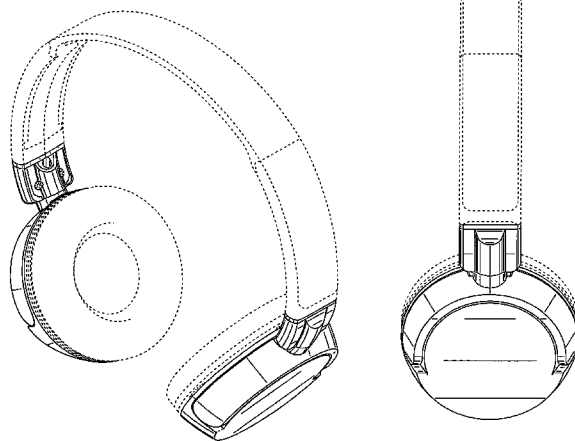
FIG. 5 is a right side elevational view thereof;

FIG. 6 is a top plan view thereof; and,

FIG. 7 is a bottom plan view thereof.

Portions in broken lines are for illustrative purposes only and form no part of the claimed design.

1 Claim, 5 Drawing Sheets



US D666,990 S

Page 2

U.S. PATENT DOCUMENTS

D616,419 S 5/2010 Suwalski et al.
D633,895 S * 3/2011 Morimoto D14/205
D635,958 S * 4/2011 Ando et al. D14/205
D637,579 S * 5/2011 Hamaura et al. D14/205
D639,775 S 6/2011 Horibe et al.
D642,554 S 8/2011 Schaal et al.
D656,125 S * 3/2012 Komiyama et al. D14/205

FOREIGN PATENT DOCUMENTS

JP D1280063 S 9/2006
JP D1337863 S 8/2008
JP D1352152 S 3/2009
JP D1385325 S 4/2010

* cited by examiner

FIG. 1

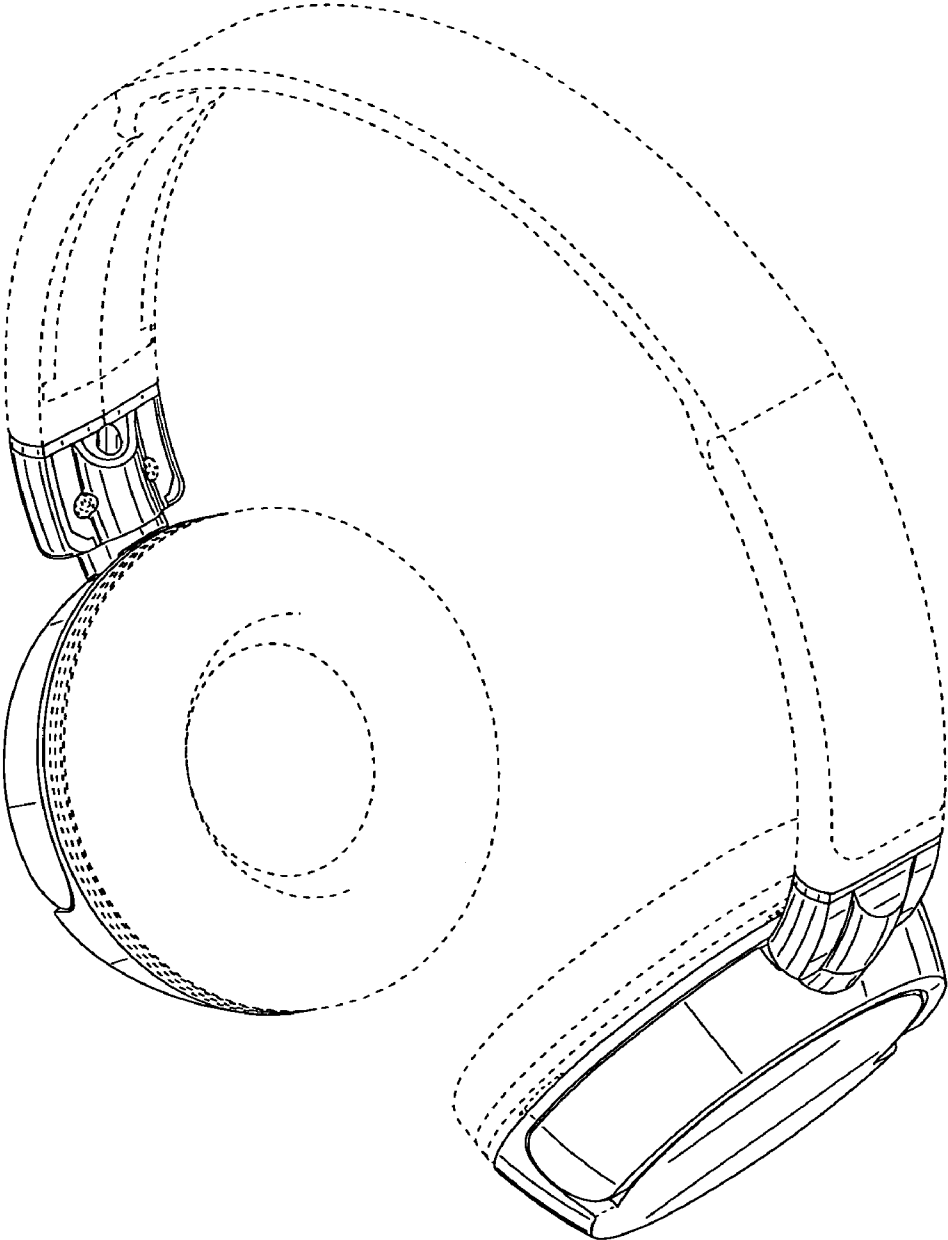


FIG.2

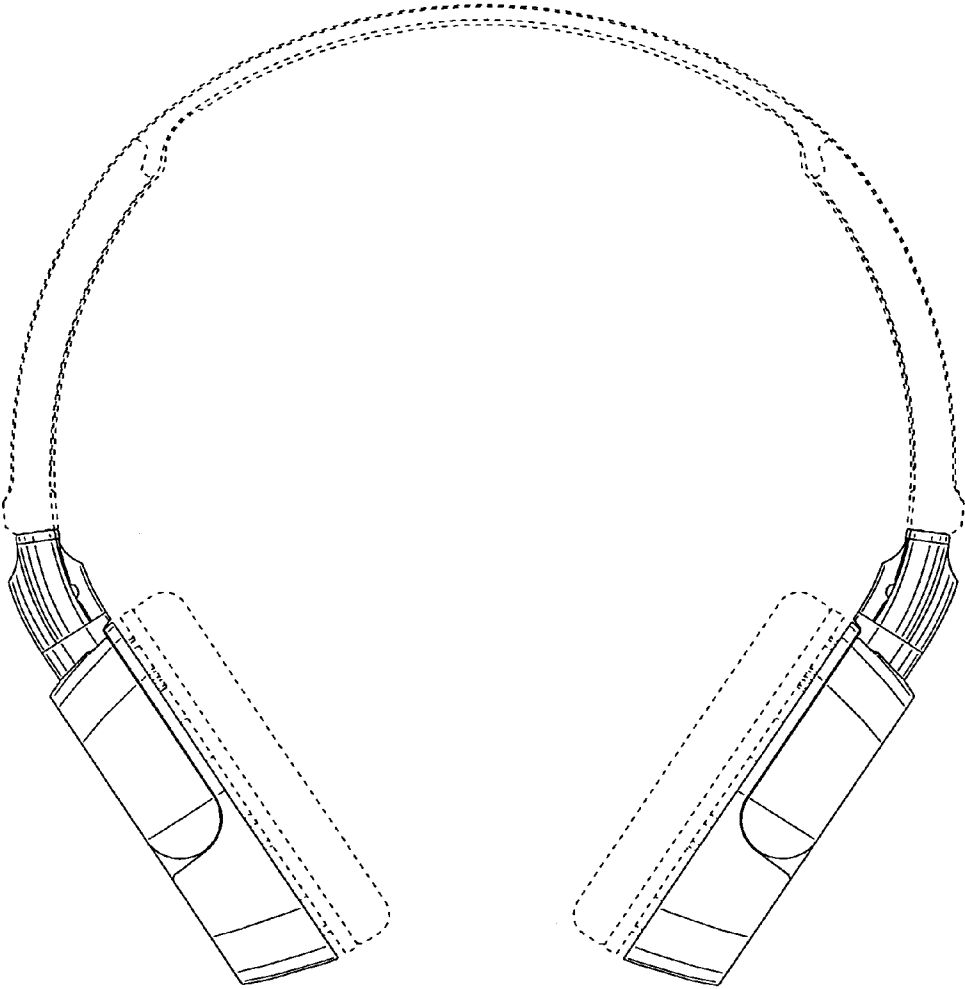


FIG.3

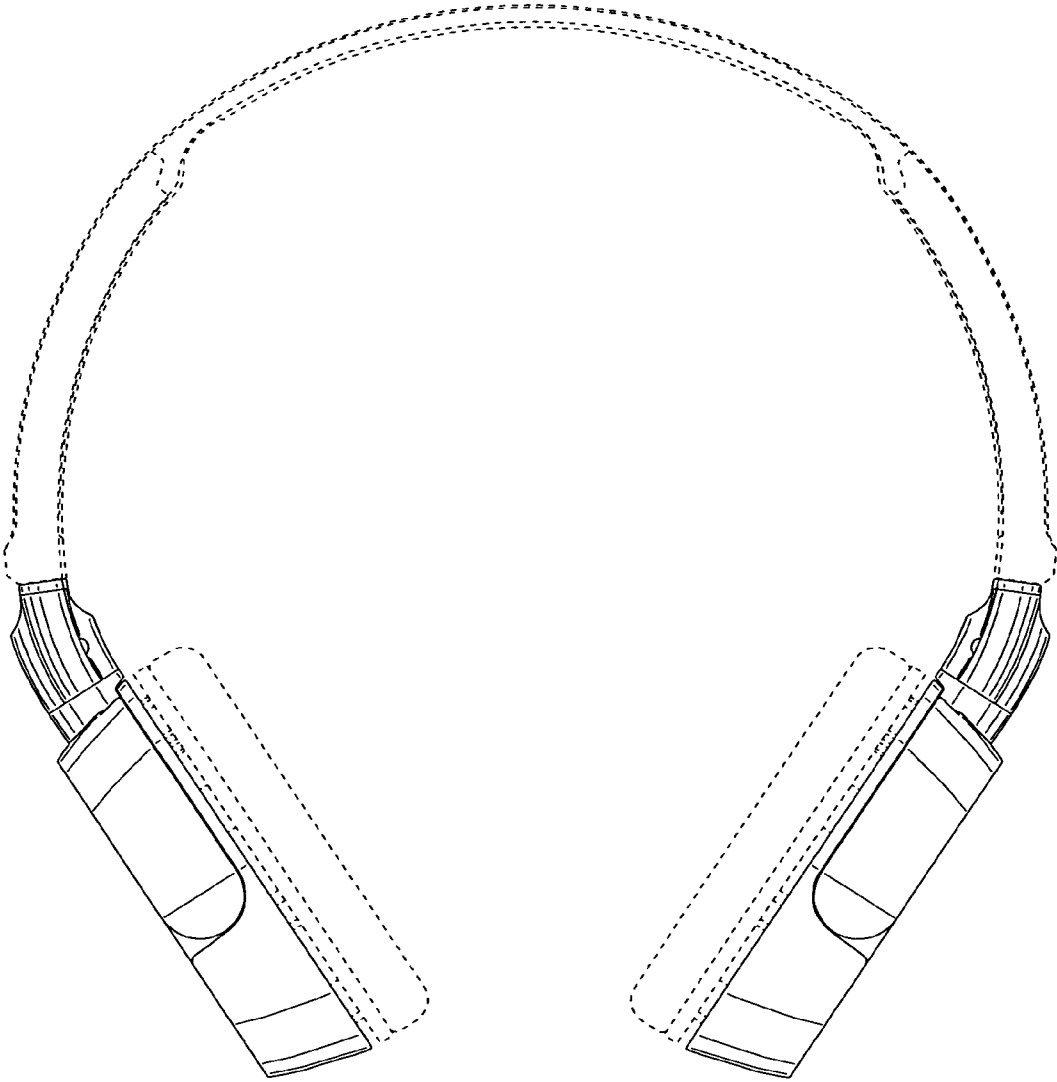


FIG.4

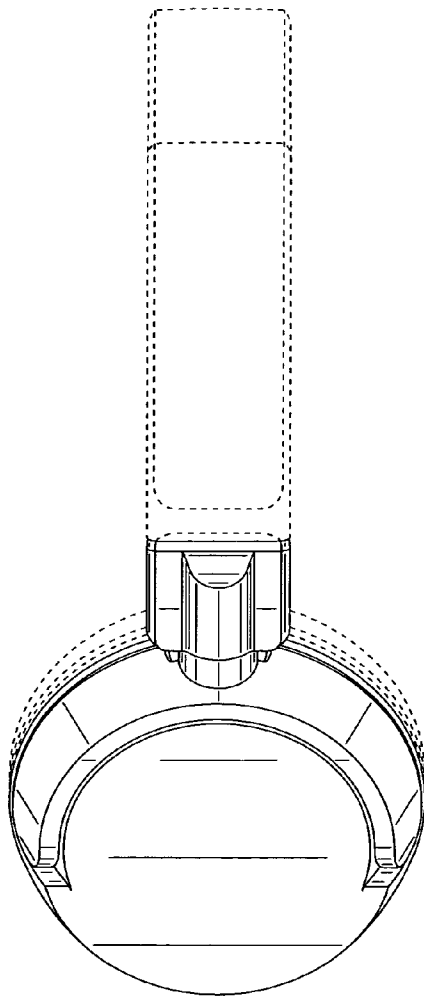


FIG.5

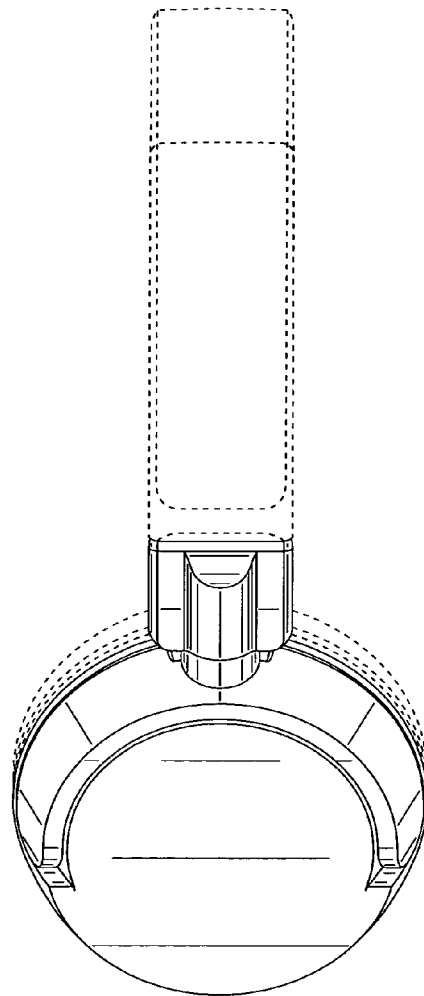


FIG.6

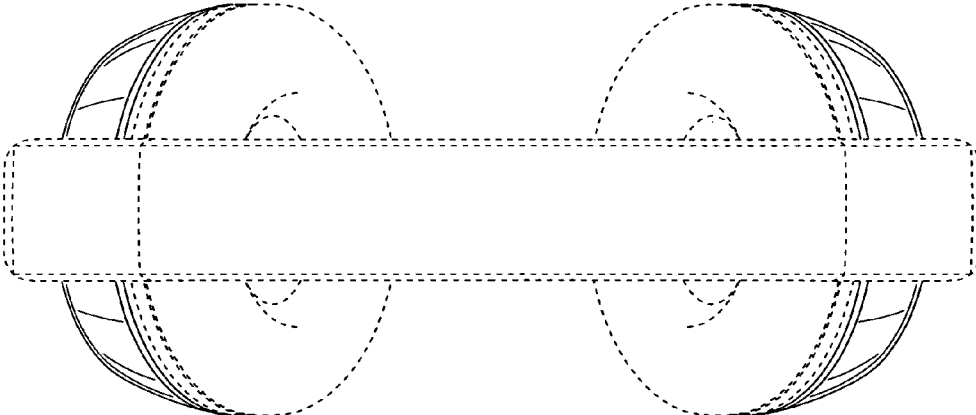


FIG.7

