



US00D791764S

(12) **United States Design Patent**
von Badinski et al.

(10) **Patent No.:** **US D791,764 S**

(45) **Date of Patent:** **** Jul. 11, 2017**

- (54) **WEARABLE COMPUTING DEVICE**
- (71) Applicant: **Mechio Inc.**, San Francisco, CA (US)
- (72) Inventors: **Curt C. von Badinski**, Valencia, CA (US); **Michael J. Strasser**, San Francisco, CA (US)
- (73) Assignee: **Motiv Inc.**, San Francisco, CA (US)
- (**) Term: **15 Years**
- (21) Appl. No.: **29/550,957**
- (22) Filed: **Jan. 8, 2016**

D260,620	S *	9/1981	Blum	D11/3
D262,527	S	1/1982	Goldberg	
4,407,295	A	10/1983	Steuer et al.	
4,510,625	A *	4/1985	Mizuki	A61F 9/061 2/8.3
4,903,176	A	2/1990	Chen	
5,191,891	A	3/1993	Righter	
D343,590	S	1/1994	Dubs	
D392,585	S	3/1998	Kohl	
D394,411	S *	5/1998	Gozlan	D11/4
D442,509	S *	5/2001	Yamanaka	D11/26
6,255,800	B1	7/2001	Bork	
D473,155	S *	4/2003	Bonnet	D11/26
D480,981	S *	10/2003	Pasquetti	D11/26

(Continued)

FOREIGN PATENT DOCUMENTS

EP	2660680	A1	11/2013
WO	2013093638	A3	6/2013
WO	2013163326	A1	10/2013

Primary Examiner — Paula Greene
(74) *Attorney, Agent, or Firm* — Loginov & Associates;
William A. Loginov

- Related U.S. Application Data**
- (62) Division of application No. 29/492,739, filed on Jun. 2, 2014, now Pat. No. Des. 756,999.
- (51) **LOC (10) Cl.** **14-02**
- (52) **U.S. Cl.**
USPC **D14/344**
- (58) **Field of Classification Search**
USPC D14/344, 341, 343; D11/26; D24/186;
D30/152; D29/121.1; 63/15.3, 15.6, 15;
455/556.1; 345/156, 157, 158, 168;
361/679.03, 679.06, 679.09
CPC G06F 1/16; G06F 3/041; G09G 5/00
See application file for complete search history.

(57) **CLAIM**

The ornamental design for wearable computing device, as shown and described.

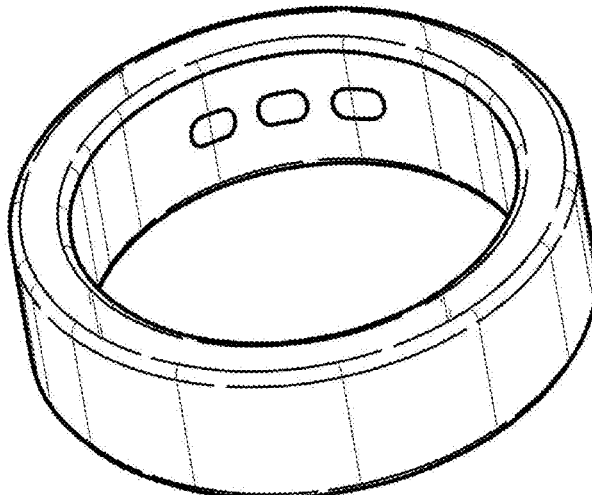
DESCRIPTION

FIG. 1 is a perspective view of a wearable computing device showing multiple interior windows, according to the embodiment showing our new design; FIG. 2 is a top plan view of the wearable computing device design, according to the embodiment; FIG. 3 is a bottom plan view of the wearable computing device design, according to the embodiment; and, FIG. 4 is a view of the exterior surface of the wearable computing device design, all sides being uniform.

1 Claim, 4 Drawing Sheets

(56) **References Cited**
U.S. PATENT DOCUMENTS

1,422,819	A *	7/1922	Blaicher	A44C 9/00 63/15
D88,984	S *	1/1933	Peterson	D11/38
2,128,644	A *	8/1938	Gittler	A44C 9/0015 63/15
2,952,967	A	9/1960	Nussle	
D203,551	S	1/1966	Tranfield	
3,557,571	A *	1/1971	De Santo	A44C 9/0084 63/15.6
3,790,775	A	2/1974	Rosenblatt	



(56)

References Cited

U.S. PATENT DOCUMENTS

D488,086	S	4/2004	Schubach		D721,609	S	1/2015	Duddy	
D533,085	S *	12/2006	Mourgue	D10/32	D729,650	S *	5/2015	Phillips	D10/32
7,247,979	B2 *	7/2007	Umina	G01D 11/245 310/311	D734,329	S *	7/2015	Lee	D14/344
D562,175	S *	2/2008	Miller	D11/35	D735,712	S	8/2015	Nishimoto	
D567,227	S	4/2008	Hada		D738,769	S	9/2015	Tan et al.	
D570,711	S *	6/2008	Dorsz	D10/32	D756,999	S *	5/2016	von Badinski	D14/344
7,444,001	B2	10/2008	Roberts et al.		D772,226	S *	11/2016	Zenoff	D14/344
D594,000	S *	6/2009	Yeon	D14/226	2002/0156352	A1	10/2002	Eggers	
D600,571	S	9/2009	Singer		2003/0142065	A1	7/2003	Pahlavan	
D608,236	S	1/2010	Akdemir		2004/0134228	A1	7/2004	Sills	
D640,367	S *	6/2011	Lin	D24/107	2006/0046709	A1	3/2006	Krumm et al.	
D643,428	S *	8/2011	Janky	D14/240	2006/0142968	A1	6/2006	Han et al.	
8,028,413	B2 *	10/2011	Miller	A44C 17/02 29/10	2008/0236195	A1	10/2008	Woebke	
8,090,418	B2	1/2012	Thiel et al.		2009/0255666	A1 *	10/2009	Olsen	E21B 17/1028 166/208
D664,881	S	8/2012	Cobbett et al.		2010/0100004	A1	4/2010	van Someren	
D671,858	S	12/2012	Cobbett et al.		2010/0156624	A1	6/2010	Hounsell	
8,346,327	B2	1/2013	Campbell et al.		2011/0070829	A1	3/2011	Griffin et al.	
D677,190	S *	3/2013	Cobbett	D11/3	2012/0036893	A1	2/2012	Forero et al.	
D684,497	S *	6/2013	Cobbett	D11/3	2012/0218184	A1	8/2012	Wissmar	
D688,584	S *	8/2013	Cobbett	D11/3	2012/0254809	A1	10/2012	Yang et al.	
D688,585	S	8/2013	Ohnemus et al.		2013/0027341	A1 *	1/2013	Mastandrea	G06F 3/014 345/173
8,502,769	B2	8/2013	Kim		2013/0167221	A1	6/2013	Vukosavlyev et al.	
8,515,506	B2	8/2013	Ridder et al.		2013/0191789	A1	7/2013	Calman et al.	
D690,218	S *	9/2013	Cobbett	D11/3	2013/0217326	A1	8/2013	Symons	
8,554,297	B2	10/2013	Moon et al.		2013/0261771	A1	10/2013	Ten Kate	
8,570,372	B2	10/2013	Russell		2013/0271069	A1	10/2013	Partovi	
8,583,167	B2	11/2013	Chun		2015/0185852	A1 *	7/2015	Guo	G06F 3/017 345/156
8,626,249	B2	1/2014	Ungari et al.		2015/0220109	A1 *	8/2015	von Badinski	G01P 15/00 340/539.12
8,638,190	B1	1/2014	Want et al.		2015/0277559	A1 *	10/2015	Vescovi	G06F 3/014 345/173
D703,069	S	4/2014	Adams et al.		2016/0253141	A1 *	9/2016	Sarkar	G06F 3/1423 345/156
D711,002	S *	8/2014	Ohnemus	D24/186					
D714,179	S	9/2014	Park et al.						

* cited by examiner

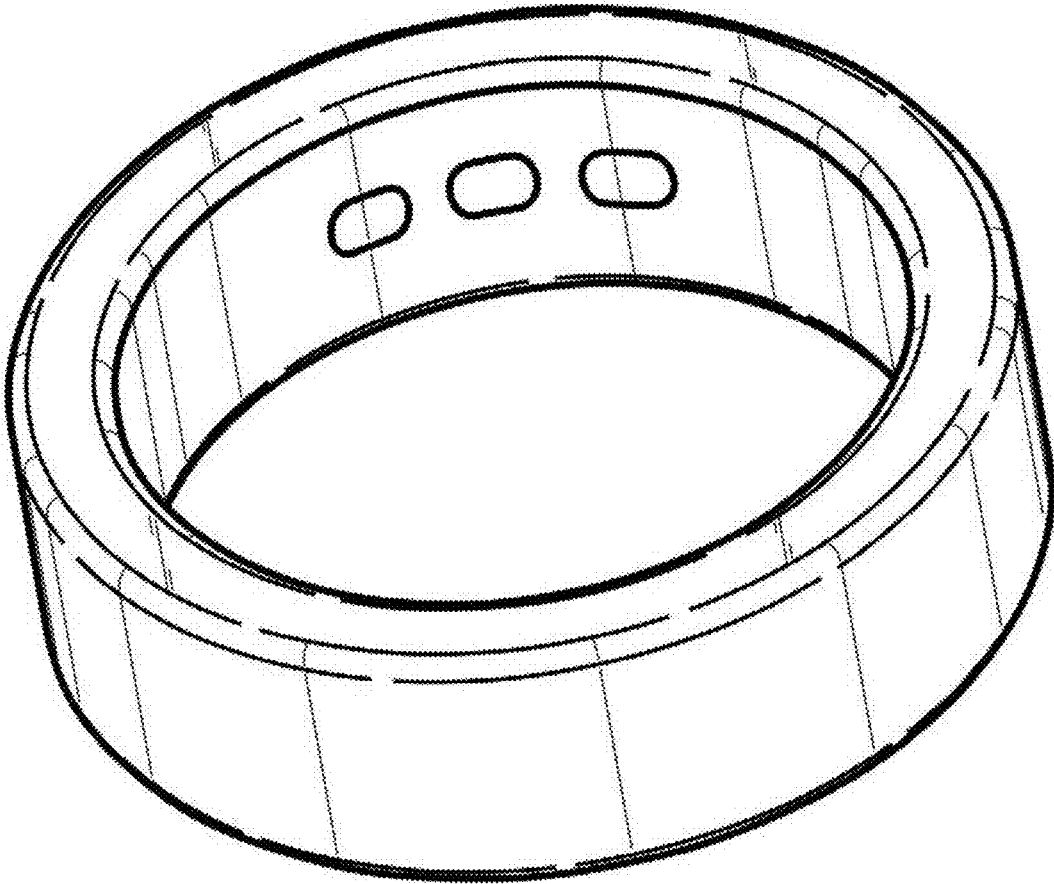


Fig. 1

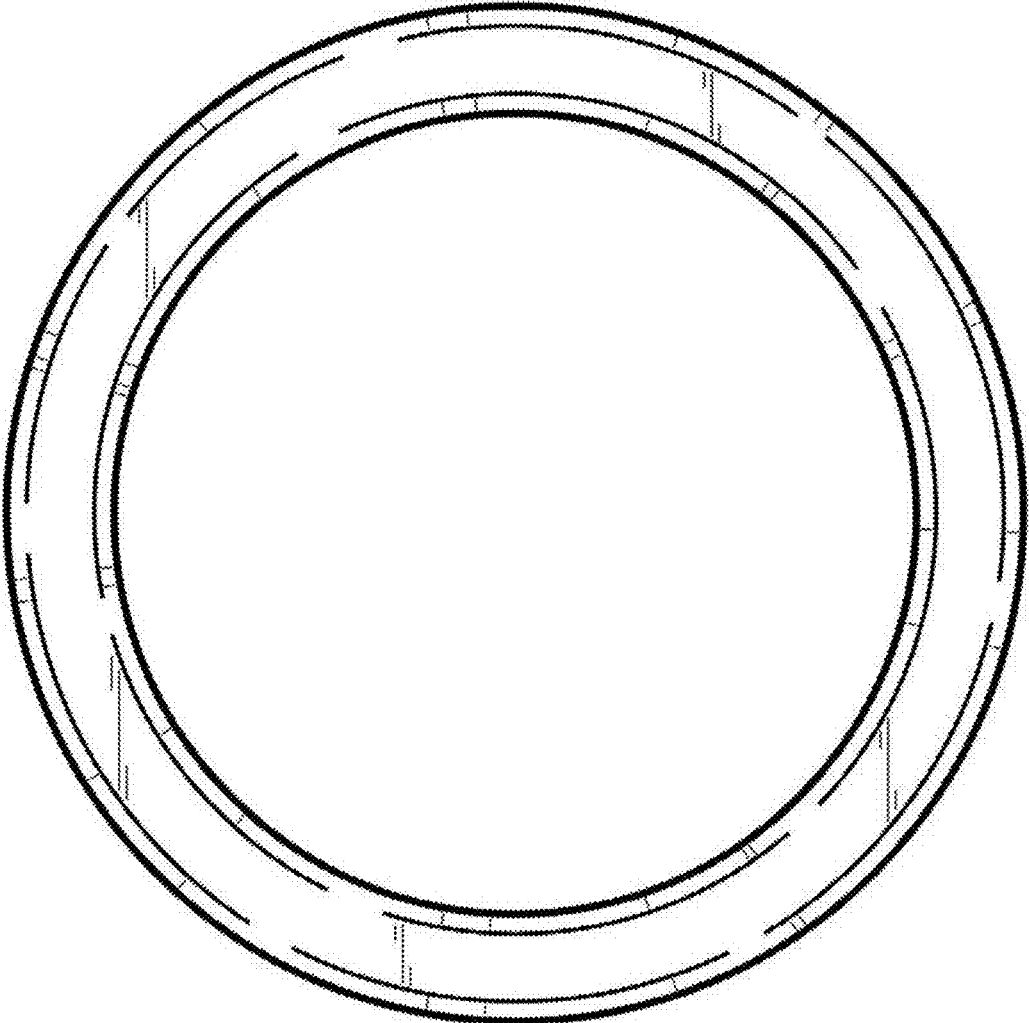


Fig. 2

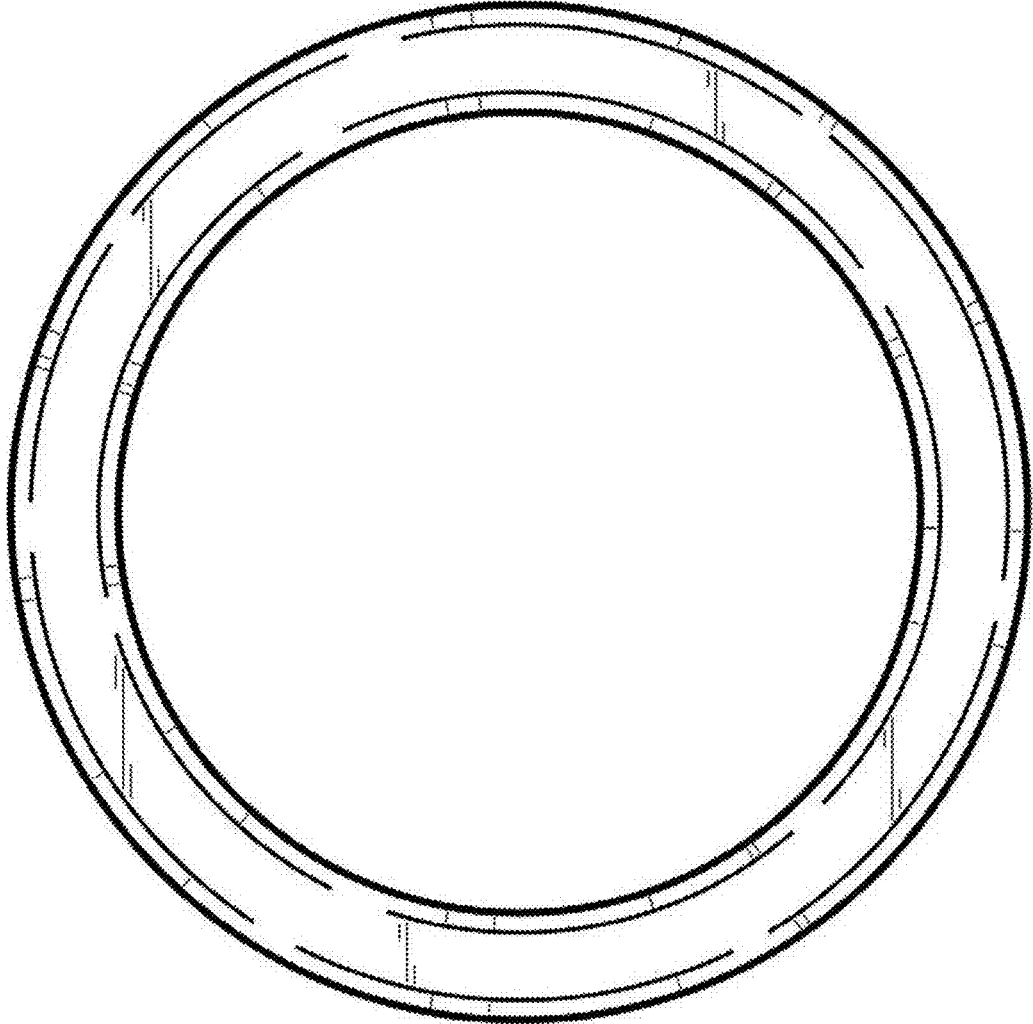


Fig. 3

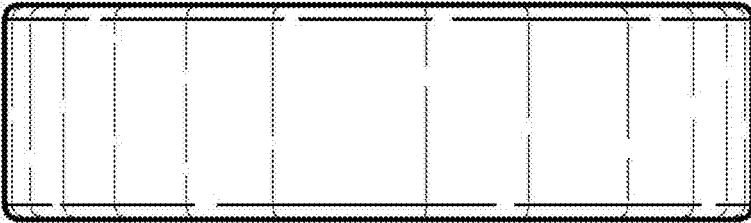


Fig. 4