



US00D601143S

(12) **United States Design Patent**  
**Oikawa et al.**

(10) **Patent No.:** **US D601,143 S**

(45) **Date of Patent:** **\*\* Sep. 29, 2009**

(54) **MONITOR DISPLAY**

(75) Inventors: **Yuji Oikawa**, Tokyo (JP); **Daisuke Ishii**, Tokyo (JP); **Katsuhisa Hakoda**, Tokyo (JP)

(73) Assignee: **Sony Corporation**, Tokyo (JP)

(\*\*) Term: **14 Years**

(21) Appl. No.: **29/309,246**

(22) Filed: **Jul. 11, 2008**

(30) **Foreign Application Priority Data**

Jan. 29, 2008 (CN) ..... 2008 3 0003084

(51) **LOC (9) Cl.** ..... **14-02**

(52) **U.S. Cl.** ..... **D14/371; D14/336**

(58) **Field of Classification Search** ..... D14/371-376, D14/125-129, 331, 336; D6/300; 345/104, 345/156, 168, 173, 901-905; 248/917-924, 248/121, 176.1, 278.1; 348/180, 184, 325, 348/739; 349/1, 2, 11, 62; 361/680-686, 361/690-696

See application file for complete search history.

(56) **References Cited**

**U.S. PATENT DOCUMENTS**

D355,170 S *	2/1995	Mizusugi et al.	.....	D14/336
D380,213 S	6/1997	Morimiya		
D432,102 S	10/2000	Arie		
D446,515 S *	8/2001	Arpe	.....	D14/336
D463,420 S *	9/2002	Stener et al.	.....	D14/336

D464,348 S *	10/2002	Takemasa et al.	.....	D14/375
D483,035 S *	12/2003	Lee	.....	D14/375
D489,067 S *	4/2004	Olson et al.	.....	D14/375
D501,185 S	1/2005	Sato et al.		
D513,254 S *	12/2005	Chu et al.	.....	D14/371
D534,508 S	1/2007	Yamada		
D538,800 S *	3/2007	Zhang et al.	.....	D14/331
D556,707 S *	12/2007	Fujii	.....	D14/126
D572,023 S *	7/2008	Park	.....	D6/300

\* cited by examiner

*Primary Examiner*—Freda S Nunn

(74) *Attorney, Agent, or Firm*—Rader, Fishman & Grauer, PLLC

(57) **CLAIM**

The ornamental design for a monitor display, as shown.

**DESCRIPTION**

FIG. 1 is a front perspective view of a monitor display showing our new design;

FIG. 2 is a front elevational view thereof;

FIG. 3 is a rear elevational view thereof;

FIG. 4 is a left side elevational view thereof;

FIG. 5 is a right side elevational view thereof;

FIG. 6 is a top plan view thereof; and

FIG. 7 is a bottom plan view thereof; and,

FIG. 8 is a rear perspective view of a monitor display showing our new design.

**1 Claim, 8 Drawing Sheets**

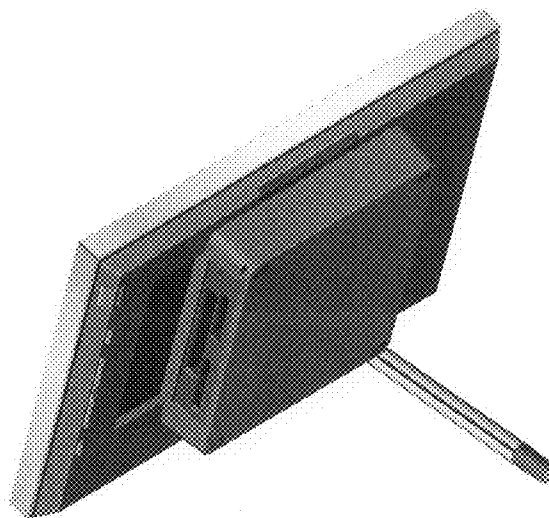
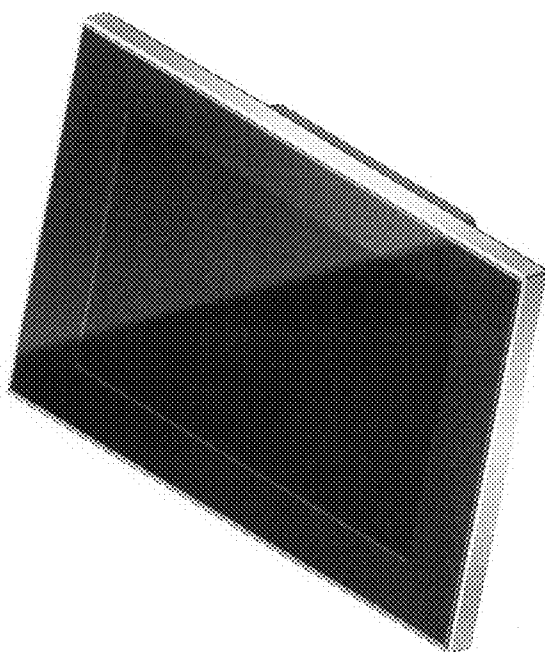


FIG.1

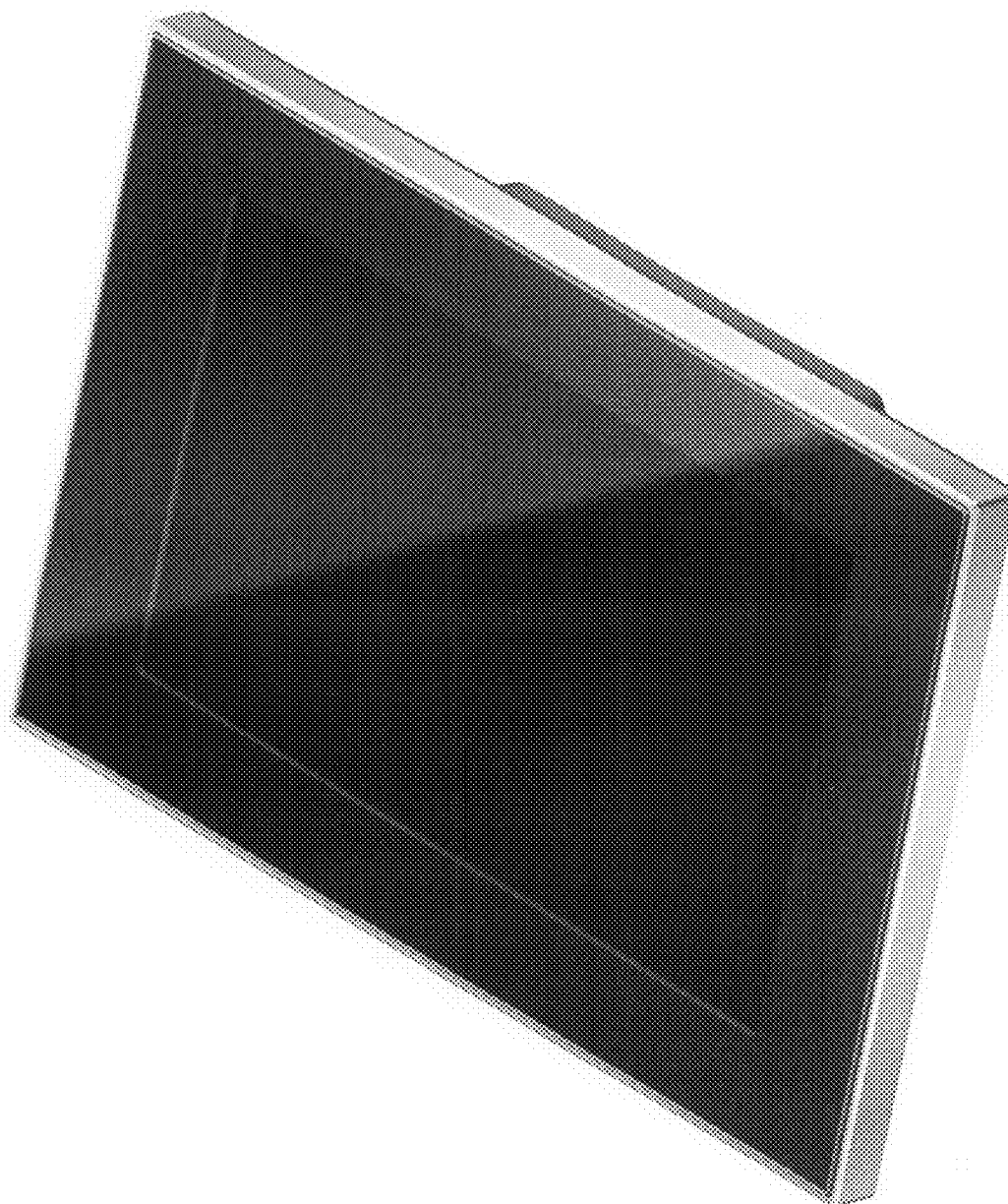


FIG.2

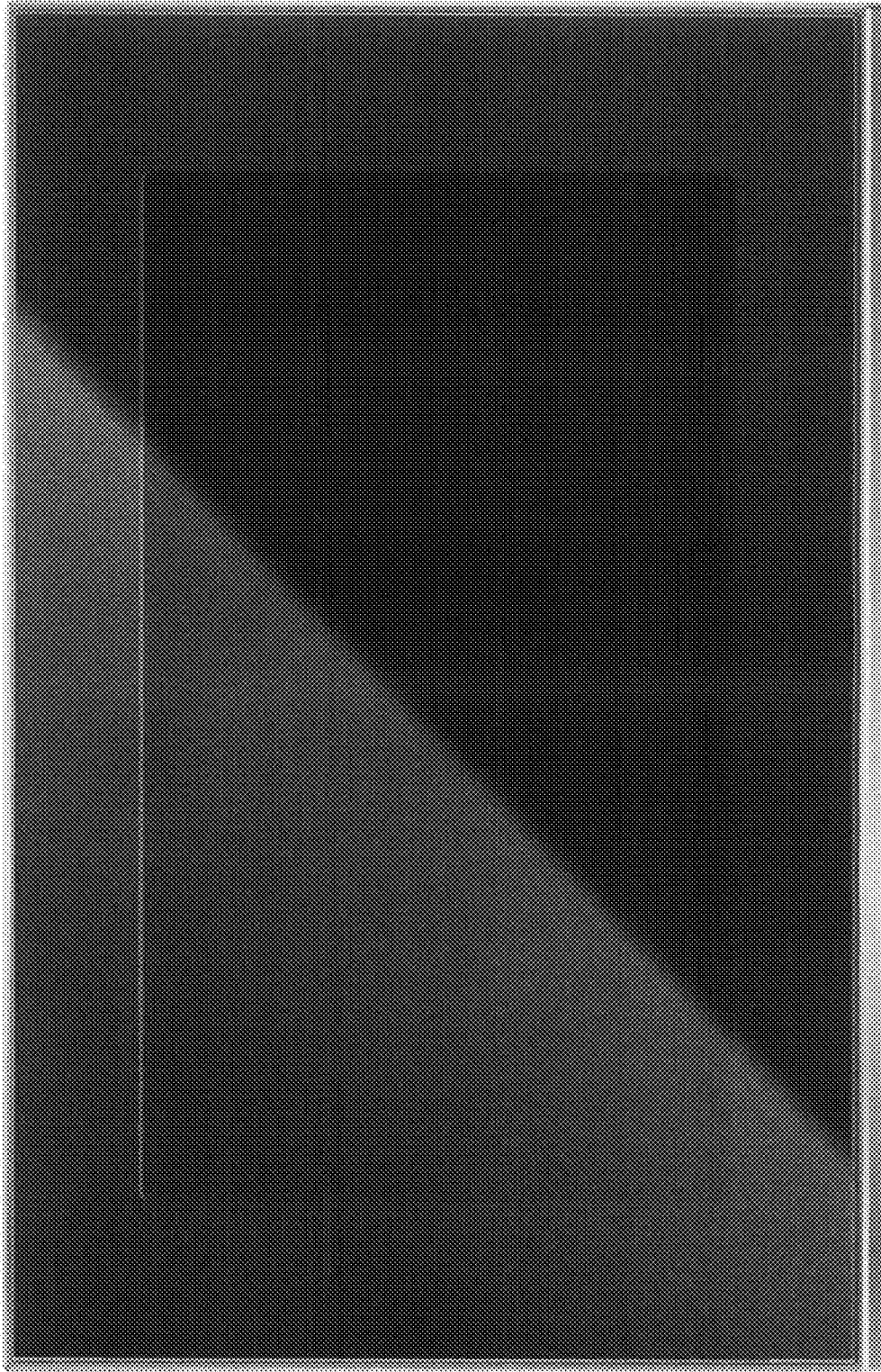


FIG.3

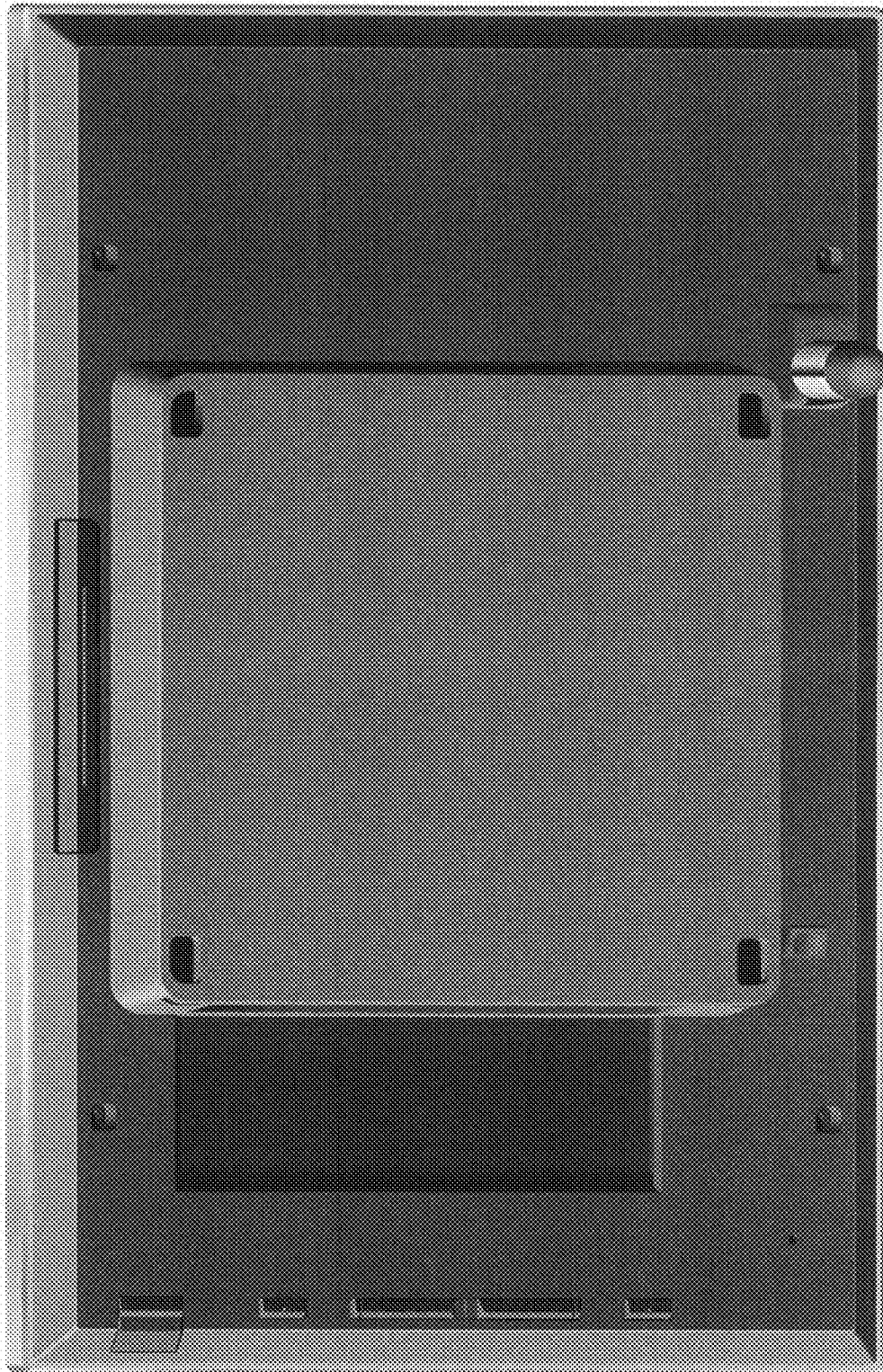


FIG.4



FIG. 5

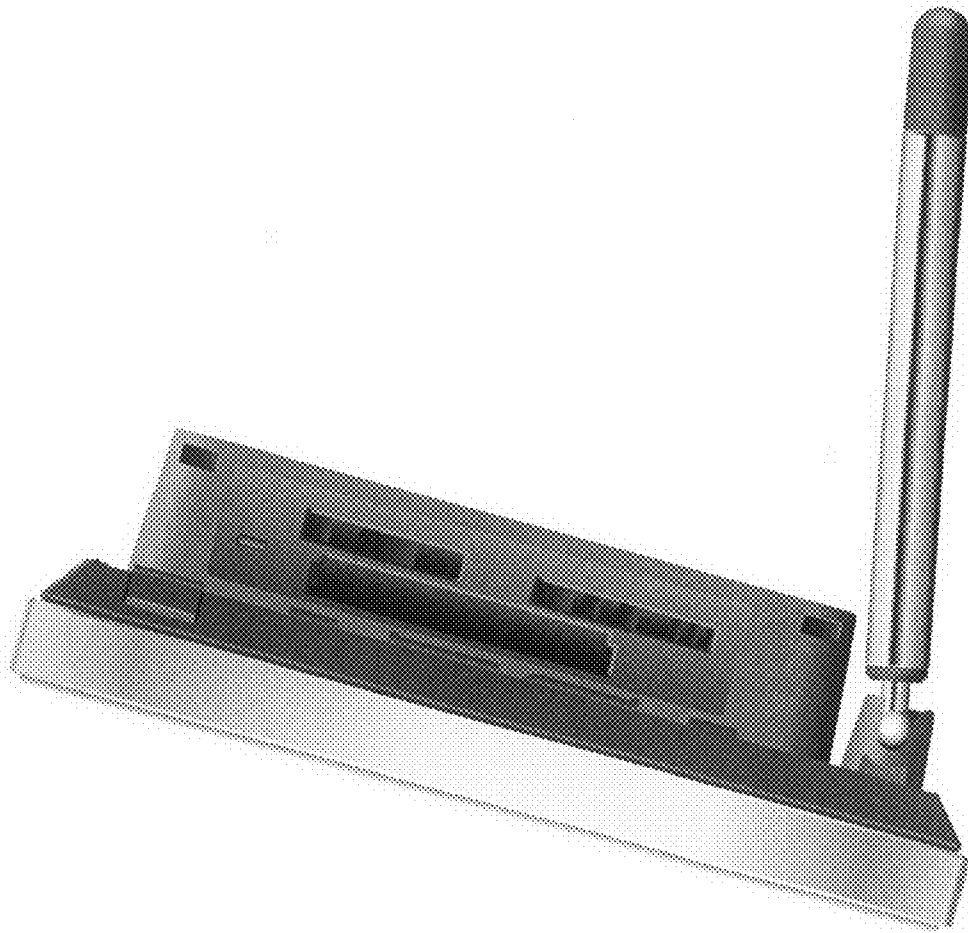


FIG.6





FIG.7

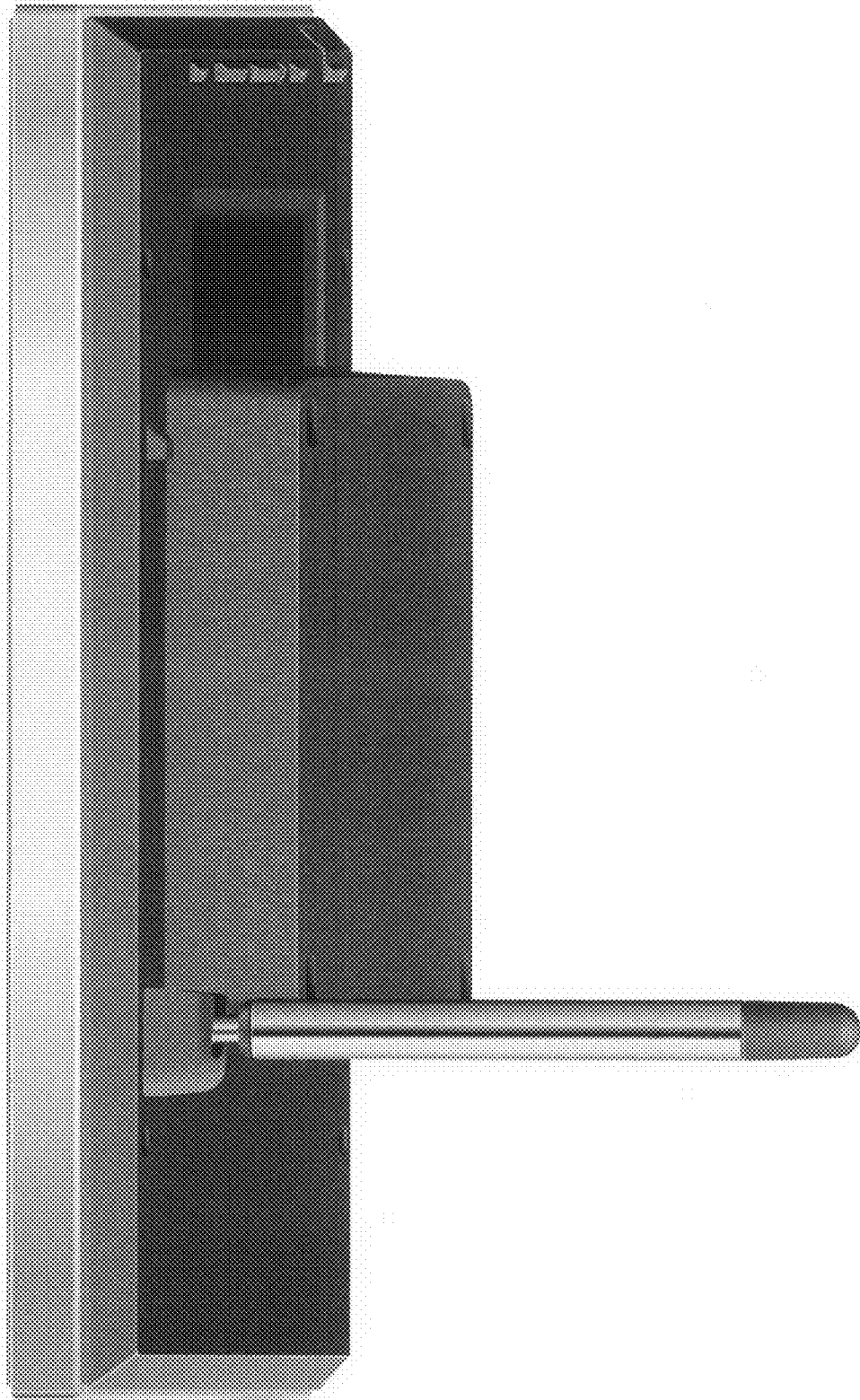




FIG.8

