



US00D554190S

(12) **United States Design Patent** (10) **Patent No.:** **US D554,190 S**  
**McCarthy et al.** (45) **Date of Patent:** **\*\* Oct. 30, 2007**

- |  |             |         |                |
|--|-------------|---------|----------------|
| (54) <b>TAB AND TAB STOCK SHEET</b>  | 3,839,118 A | 10/1974 | Sparks         |
|  | 3,924,744 A | 12/1975 | Heimann        |
| (75) Inventors: <b>Brian R. McCarthy</b> , Anaheim Hills, CA (US); <b>Jerry G. Hodsdon</b> , Forestdale, MA (US) | 3,937,493 A | 2/1976  | Fasbender      |
|  | 4,053,057 A | 10/1977 | Snowden        |
| (73) Assignee: <b>Avery Dennison Corporation</b> , Pasadena, CA (US)   | 4,079,533 A | 3/1978  | Rohner         |
|  | 4,137,658 A | 2/1979  | Wos            |
| (**) Term: <b>14 Years</b>   | 4,204,639 A | 5/1980  | Barber et al.  |
| (21) Appl. No.: <b>29/268,501</b>  | 4,446,183 A | 5/1984  | Savagian       |
| (22) Filed: <b>Jul. 13, 2006</b>   | 4,637,149 A | 1/1987  | Rivkin         |
|  | 4,722,626 A | 2/1988  | Abildgaard     |
|  | 4,905,393 A | 3/1990  | Laurie         |
|  | 4,958,728 A | 9/1990  | Effendi        |
|  | 4,962,603 A | 10/1990 | Kao et al.     |
|  | 5,135,261 A | 8/1992  | Cusack et al.  |
|  | D331,598 S  | 12/1992 | Martin         |
|  | 5,187,888 A | 2/1993  | O'Brien et al. |

**Related U.S. Application Data**

- (62) Division of application No. 11/188,099, filed on Jul. 21, 2005.

- (51) **LOC (8) Cl.** ..... **19-99**  
(52) **U.S. Cl.** ..... **D19/99**  
(58) **Field of Classification Search** ..... D19/1-8, D19/26-33, 99; 40/359, 360, 371, 372, 373, 40/384, 393, 401, 641; 229/72, 67.1-67.4; 283/36-43; 402/79

See application file for complete search history.

(56) **References Cited**

**U.S. PATENT DOCUMENTS**

- |             |         |            |
|-------------|---------|------------|
| 691,177 A   | 1/1902  | Rand       |
| 957,447 A   | 5/1910  | Suddick    |
| 1,115,216 A | 10/1914 | Laviolette |
| 1,308,471 A | 7/1919  | Barker     |
| 1,317,265 A | 9/1919  | Bushnell   |
| 1,444,404 A | 2/1923  | Wagemaker  |
| 1,455,288 A | 5/1923  | Hardy      |
| 1,501,067 A | 7/1924  | Schaffert  |
| 1,562,487 A | 11/1925 | Anthony    |
| 1,601,041 A | 9/1926  | Rand       |
| 1,742,277 A | 1/1930  | Quigley    |
| 1,983,878 A | 12/1934 | Rand       |
| 3,054,202 A | 9/1962  | Scholfield |
| 3,263,688 A | 8/1966  | Anders     |
| 3,507,063 A | 4/1970  | Jochheim   |

(Continued)

**FOREIGN PATENT DOCUMENTS**

- DE 10 92 883 B 11/1960

(Continued)

**OTHER PUBLICATIONS**

Viewables® Color Labeling System [online]. SMEAD [retrieved on Jul. 21, 2005]. Retrieved from Internet: <URL: www.smead.com>.

(Continued)

*Primary Examiner*—Elizabeth A. Albert  
(74) *Attorney, Agent, or Firm*—Ingrassia Fisher & Lorenz, P.C.

(57) **CLAIM**

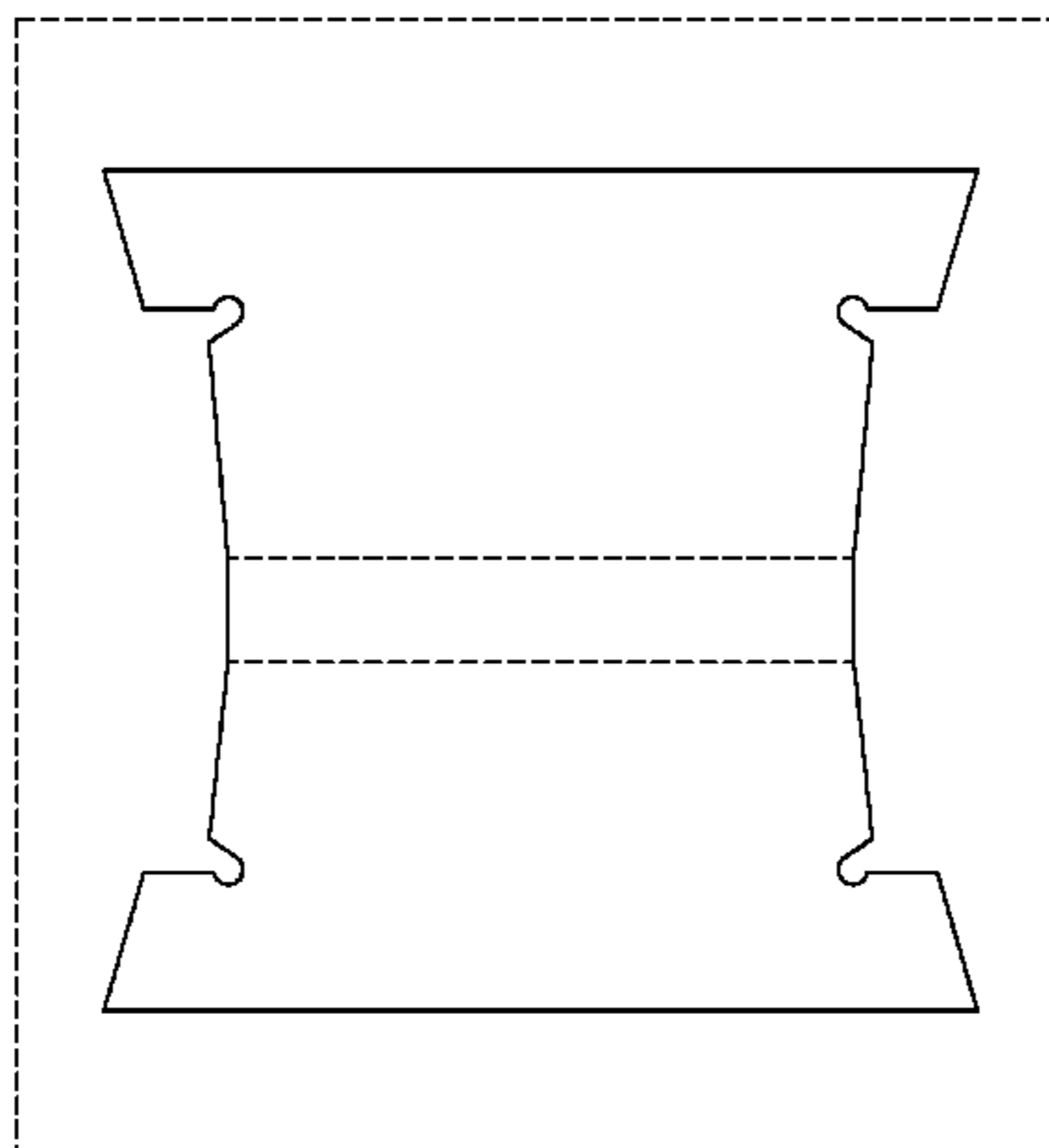
What is claimed is an ornamental design for a tab and tab stock sheet, as shown and described.

**DESCRIPTION**

The single FIGURE is a top view of a tab and tab stock sheet showing our new design.

The broken lines shown in the figure are for illustrative purposes only and form no part of the claimed design.

**1 Claim, 1 Drawing Sheet**



# US D554,190 S

Page 2

## U.S. PATENT DOCUMENTS

5,340,427 A 8/1994 Cusack et al.  
5,407,234 A 4/1995 Rettker et al.  
5,455,410 A 10/1995 Schneider  
5,462,783 A 10/1995 Esselmann  
5,468,085 A 11/1995 Kline  
5,485,000 A 1/1996 Schneider  
5,503,435 A 4/1996 Kline  
5,503,487 A \* 4/1996 Ong ..... 402/79  
5,513,459 A 5/1996 Schneider  
5,558,454 A 9/1996 Owen  
5,639,124 A 6/1997 Jung  
5,702,802 A 12/1997 Rettker et al.  
5,743,566 A 4/1998 Hunter et al.  
5,792,297 A 8/1998 Hunter et al.  
5,836,710 A 11/1998 Owen  
5,848,809 A 12/1998 Petkovsek  
5,947,525 A 9/1999 Pollman  
5,996,130 A 12/1999 Verhines  
5,996,881 A \* 12/1999 Smith ..... 229/67.1  
6,004,062 A 12/1999 Hunter et al.  
RE36,596 E 3/2000 Schneider  
6,037,029 A 3/2000 Instance  
D423,044 S 4/2000 Burke et al.  
D424,623 S 5/2000 Villarreal et al.  
6,068,423 A 5/2000 Owen  
6,071,030 A 6/2000 Hunter et al.  
6,086,107 A 7/2000 Whistler et al.  
6,089,777 A 7/2000 Wong

6,099,189 A 8/2000 Owen et al.  
6,284,338 B1 9/2001 Bauman et al.  
6,328,518 B1 12/2001 Wong  
6,361,639 B1 3/2002 Owen et al.  
6,375,604 B1 4/2002 Verhines  
6,409,409 B2 6/2002 Bauman et al.  
6,511,725 B1 1/2003 Rawlings  
6,581,971 B1 6/2003 MacWilliams  
D478,124 S 8/2003 Yamamoto et al.  
6,764,101 B2 7/2004 MacWilliams et al.  
6,803,084 B1 10/2004 Do et al.  
6,883,423 B2 4/2005 Yamamoto et al.  
6,969,092 B2 \* 11/2005 MacWilliams et al. .... 283/36  
7,025,382 B2 \* 4/2006 Wiggins ..... 283/36  
7,140,136 B2 \* 11/2006 Flynn et al. .... 40/638  
2002/0129526 A1 9/2002 Sato et al.  
2003/0126779 A1 7/2003 Sato et al.  
2005/0196572 A1 9/2005 Flynn et al.  
2005/0257408 A1 \* 11/2005 Black ..... 40/641

## FOREIGN PATENT DOCUMENTS

EP 0153394 9/1985  
WO WO 8500781 2/1985

## OTHER PUBLICATIONS

PCT International Search Report PCT/US2005/025889, Feb. 6, 2006.

\* cited by examiner

