

(19)
(12)

(KR)
(B1)

(51) 。 Int. Cl. ⁶
G06F 1/16

(45)
(11)
(24)

2002 02 07
10 - 0322651
2002 01 17

(21) 10 - 1999 - 0008511
(22) 1999 03 13

(65) 2000 - 0060321
(43) 2000 10 16

(73)

3 416

(72)

1235

303 1003

(74)

:

(54)

3

1 ;

2 ;

3 ;

4a	3	12.1		12.1	12.1
			;		
4b	3	13.3		13.3	13.3
			;		
5a	3	12.1			
			;		
5b	3	13.3			
			;		
6					

*

10 : 14, 38, 48, 75, 94 :

30 : 12.1 40 : 13.3

50 : 12.1 60 : 13.3

70, 70' : 12.1 74 :

90, 90' : 13.3

110 : 12.1

120 : 13.3 150 :

200, 300 :

(flat type display)

(display unit)

(notebook computer),
PC(hand - held personal computer)

PC(wallet personal computer), PDA(personal digital assistant), H

가
isplay;)

가 (liquid crystal d

(viewing area)

가

가

. Yun

U.S. Pat. No. 5,835,139

1 2 Yun

1 , Yun (500) (front case)(510) (rear case)(520), (530) (530) (530) (534) (510) (520) (512) (530) (530) (520) (540)가 (screw hole)(532) (530) (540) (520) (530)

(500) (500) (500) (520) 가 (530)

가

가 Yun 가 2 (600)

2 (600) (610) (500) (610) (flexible cable)() (500) (530) Yun 가 (530) (530) 가 (530) (510) (520) (500) (530)

가 (EMI) 가가

가 가

(cover), (medium), (housing),

1 1 2 (opening) 1 2

1 2 1 2

가 가

12.1 13.3

가

1 2

가

가

(base), 1

2 1 2 1 2 1 2 3 1 2 3 1 3

1 가 2 1 2 1 2 3 1 3 2 3 1 3

1 2 1 2 3 1 3 1 3

2 1 1 2

3 가 1 2 1 2 1 3

1 2

가

3 6

3 6

3 5b 12.1 (110) 13.3
 (120) (10) 12.1 (110)
 (10), 12.1 (30), 12.1 (50), 12.1 (70,70')
 13.3 (120) (10), 13.3 (40), 13.3
 (60), 13.3 (90,90')
 (110,120) (10)

(10) (12,12') (12,12') (14)
 (10) (16) (16) ,
 (10) 13.3 (40)
 가 가 , 14.1
 (10) 14.1

12.1	(30)	12.1	(32)	(34)	,	(10)
(12,12')		(36,36')		(36,36')		(10)
(14)		(38)	12.1		(50)	12.1
(30)	(32)		(52)	12.1		(50)
(10)						
0')	12.1	(110)	12.1	(70,70')	12.1	(70,7
	12.1	(30)	(36,36')	(10)	(10)	(12,12')
(10)	12.1		(30)	(10)		
a	, 13.3		(40)			4a 5
3.3	, 12.1	(30)	(36)	(10)	(12)	1
74)	12.1	(40)	(46)	(10)	(12)	
(30)	(75)	(70,70')	(72)	(74)		(
	(14,38)		(75)	(10)	12.1	(20)
		(10)	12.1	(70,70')	12.1	(30)
(10)	12.1	(70,70')	(76)가		(76)	
	(16)		(150)	(152)		12.1
	(70,70')	12.1	(30)	(10)		,
	12.1		(110)			
13.3	(120)	12.1	(110)			(10)
3	13.3	(120)	13.3	(42)	(44)	13.3
(60)	(40)	13.3	(40)	(46,46')		(10)
	(12,12')		(48)	13.3		(60) 13.
	(40)	(42)	(62)	, 13.1		
	12.1	(30)	(10)			
0')	13.3	(120)	13.3	(90,90')	13.3	(90,9
	13.3	(40)	(46,46')	(10)	(10)	(12,12')
(10)	13.3		(40)	(10)		
5b	, 13.3	13.3	(40)	(40)		4b
90')	13.3	(90,90')	(92)가		13.3	(90,
	(92)	(94)		(94)	(10)	13.3
4)	(40)	(14,48)				(14,48,9
	(20)		(10)	13.3	(90,90')	13.3
	(40)	13.3	(90,90')	(96)가		(96)
	(10)	(16)	(150)	(152)		
	13.3	(90,90')	13.3	(40)	(10)	
		13.3	(120)			

13.3 (70,70') 13.3 (40) (10) (110,120) 12.1 (30) 13.3 (10) (110,120) 12.1 (40) (90,90') 12.1 (30) (110,120) (10) (10) (injection process) (die casting process) (10)

(200,300) (110,120) 5a 6

5a 6 (110,120) (200,300) (110,120) (150) (110,120) (150) (152) (150) (150) (70,70',90,90') (150) (110,120) (152)

(10) (160) (matrix)가 (CPU) (110,120) (32,42) (162) (10) (10) (110,120) (10) (10) (key elements)

(110,120) (150) (200,300) (10)

가

(57)

1.

, 1 ;
1 2 , ;

, ;
1 1 2 가 , 1 2 ;

1 2 , .

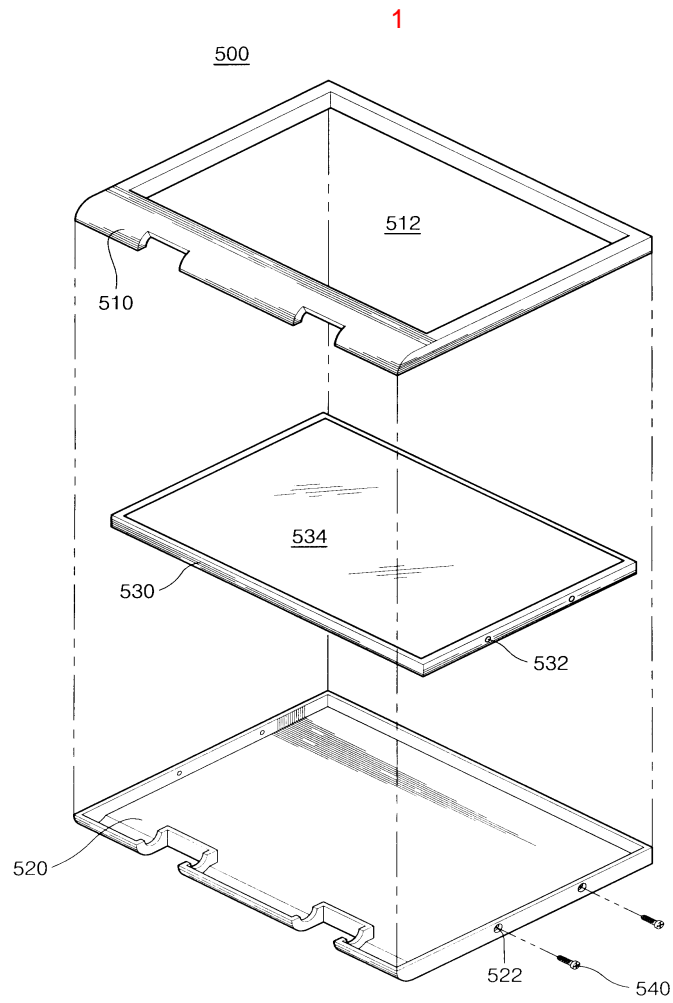
2.

1 ,
가 , 가 ,
가 .

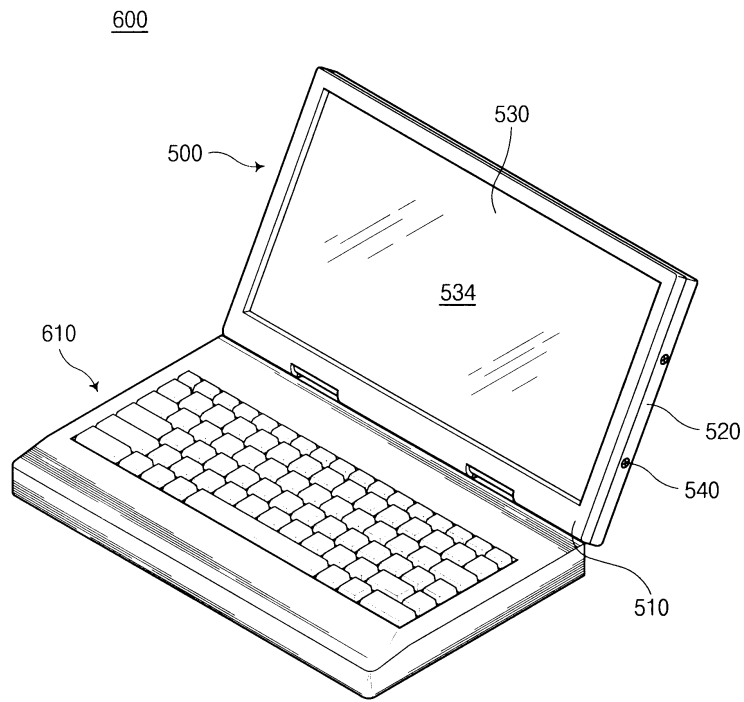
4.

;
, 1 1 ;
, 1 2 2 가 , 1 ;
2 3 , 2 ;
1 , 1 ;
2 , 2 ;
1 1 3 , 1 ;
2 2 3 2 ;
1 2 3 , 1 , 1 3 ,
2 가 1 2 .

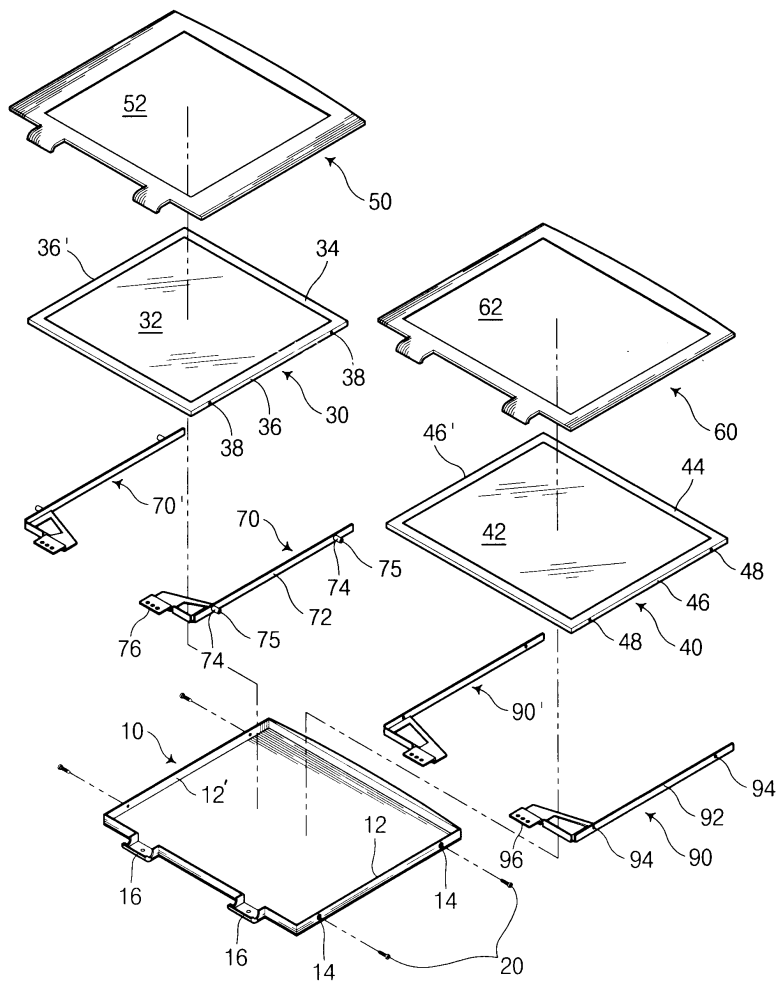
5.
4 ,
1 2 2 3 가
6.
4 ,
2 1
7.
4 ,
1 2 .



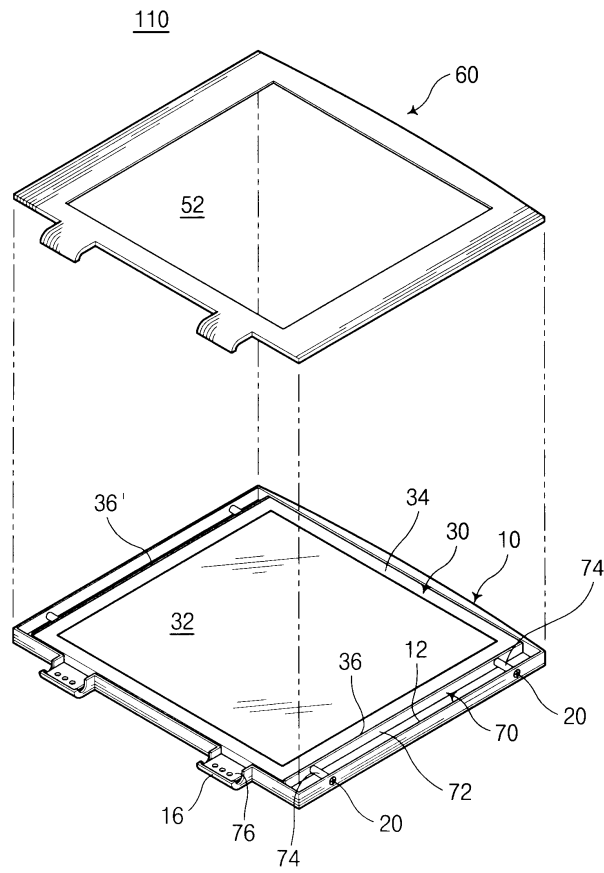
2



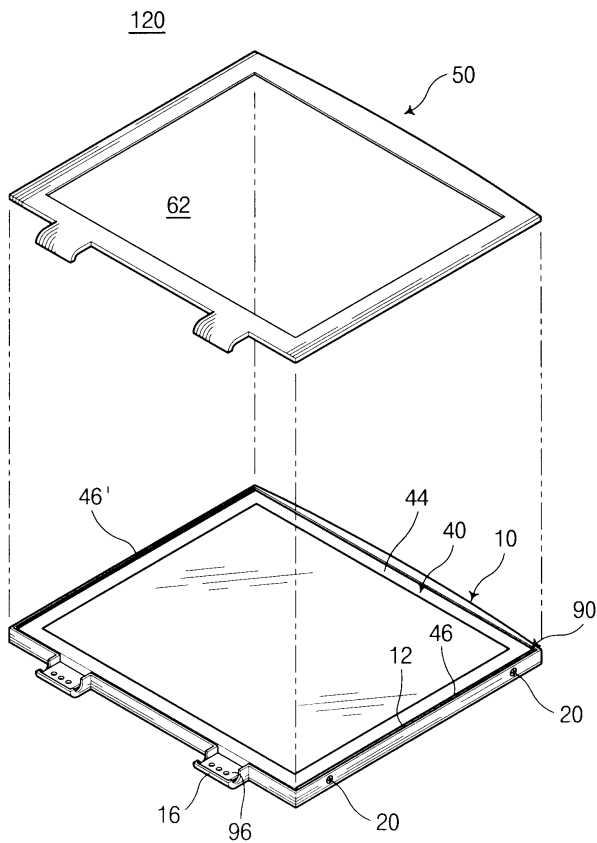
3



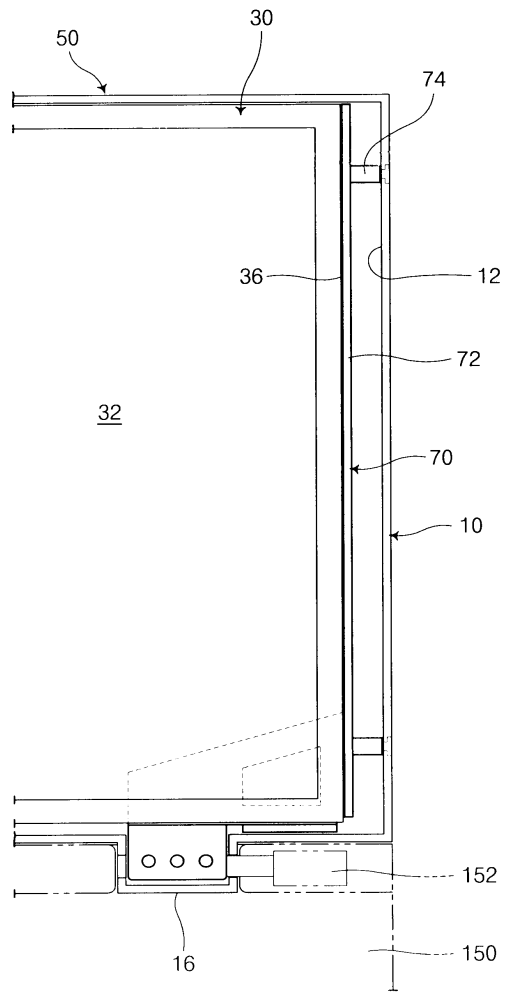
4a



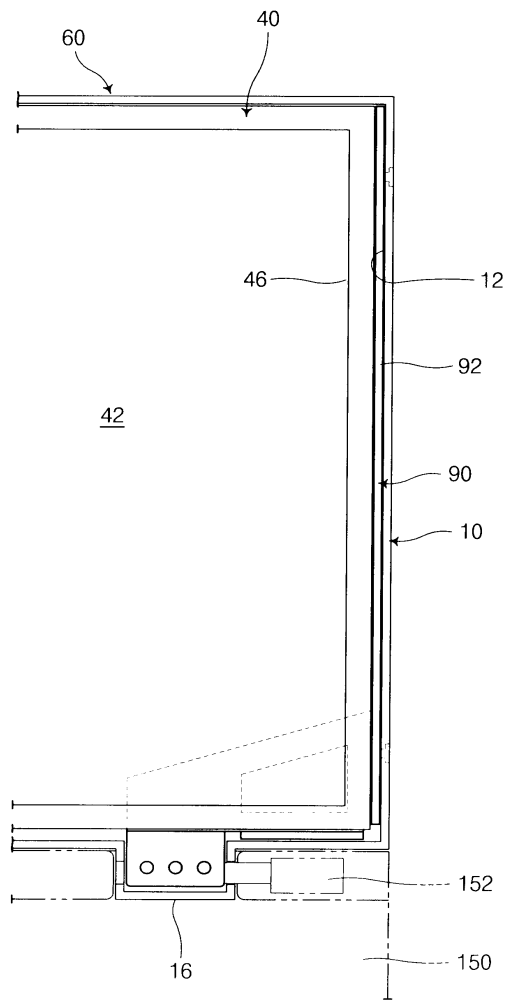
4b



5a



5b



9

