



US00D687058S

(12) **United States Design Patent**
Corcoran et al.

(10) **Patent No.:** **US D687,058 S**

(45) **Date of Patent:** **** Jul. 30, 2013**

(54) **DISPLAY SCREEN OR PORTION THEREOF WITH AN ANIMATED GRAPHICAL USER INTERFACE**

D654,929 S * 2/2012 Morrow et al. D14/492
D667,423 S * 9/2012 Nagamine D14/488

* cited by examiner

(75) Inventors: **Patrick Corcoran**, Oakland, CA (US);
David Sloo, Menlo Park, CA (US)

Primary Examiner — Barbara Fox
(74) *Attorney, Agent, or Firm* — Kilpatrick Townsend & Stockton LLP

(73) Assignee: **Nest Labs, Inc.**, Palo Alto, CA (US)

(57) **CLAIM**

(**) Term: **14 Years**

The ornamental design for a display screen or portion thereof with an animated graphical user interface, as shown and described.

(21) Appl. No.: **29/404,099**

DESCRIPTION

(22) Filed: **Oct. 14, 2011**

FIG. 1 is a front view of a first image of an display screen or portion thereof with an animated graphical user interface, showing our new design;

(51) **LOC (9) Cl.** **14-04**

FIG. 2 is a front view of a second image thereof;
FIG. 3 is a front view of a third image thereof;
FIG. 4 is a front view of a fourth image thereof;
FIG. 5 is a front view of a fifth image thereof;
FIG. 6 is a front view of a sixth image thereof;
FIG. 7 is a front view of a seventh image thereof;
FIG. 8 is a front view of an eighth image thereof;
FIG. 9 is a front view of a ninth image thereof;
FIG. 10 is a front view of a tenth image thereof; and,
FIG. 11 is a front view of an eleventh image thereof.

(52) **U.S. Cl.**
USPC **D14/488**

(58) **Field of Classification Search**
USPC D14/485–495; 715/700–867
See application file for complete search history.

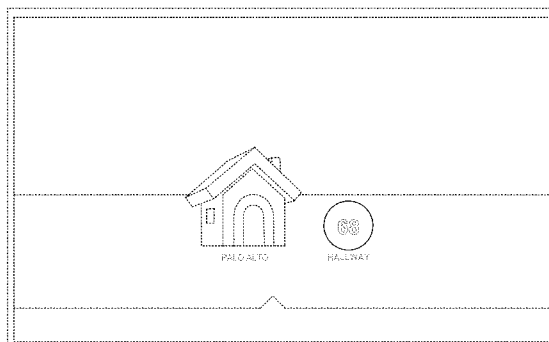
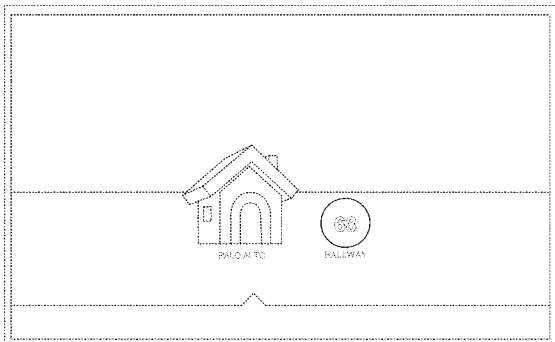
The broken lines illustrating the display screen and portions of the animated graphical user interface illustrate portions of the display screen or portions thereof with an animated graphical user interface which form no part of the claimed design.

(56) **References Cited**

U.S. PATENT DOCUMENTS

5,784,056	A	*	7/1998	Nielsen	715/856
D604,325	S	*	11/2009	Ebeling et al.	D14/489
D619,145	S	*	7/2010	Ebeling et al.	D14/489
7,975,216	B2	*	7/2011	Woolf et al.	715/230
D650,789	S	*	12/2011	Arnold	D14/488
D652,841	S	*	1/2012	Arnold	D14/488
D654,928	S	*	2/2012	Morrow et al.	D14/492

1 Claim, 11 Drawing Sheets



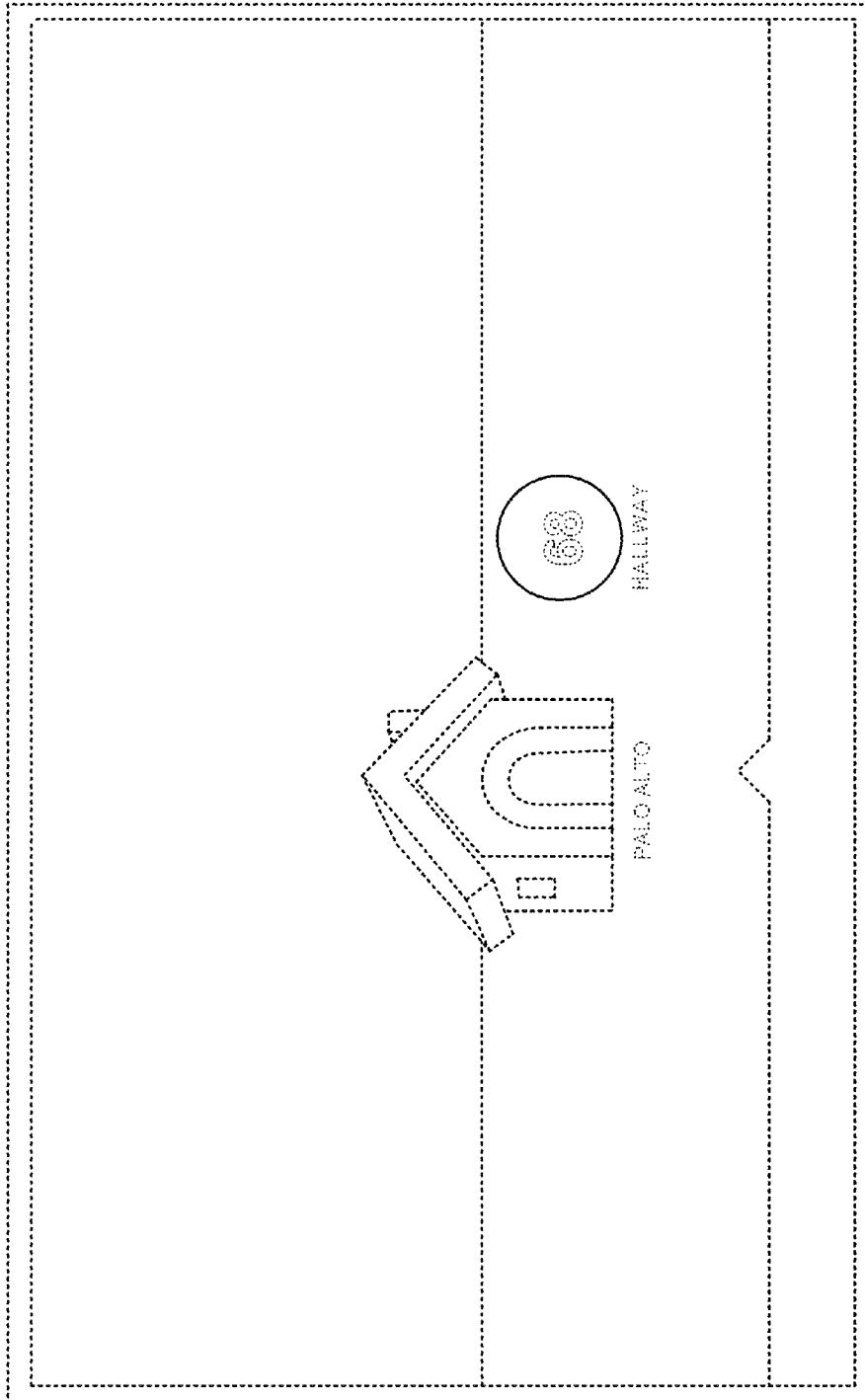


FIG. 1

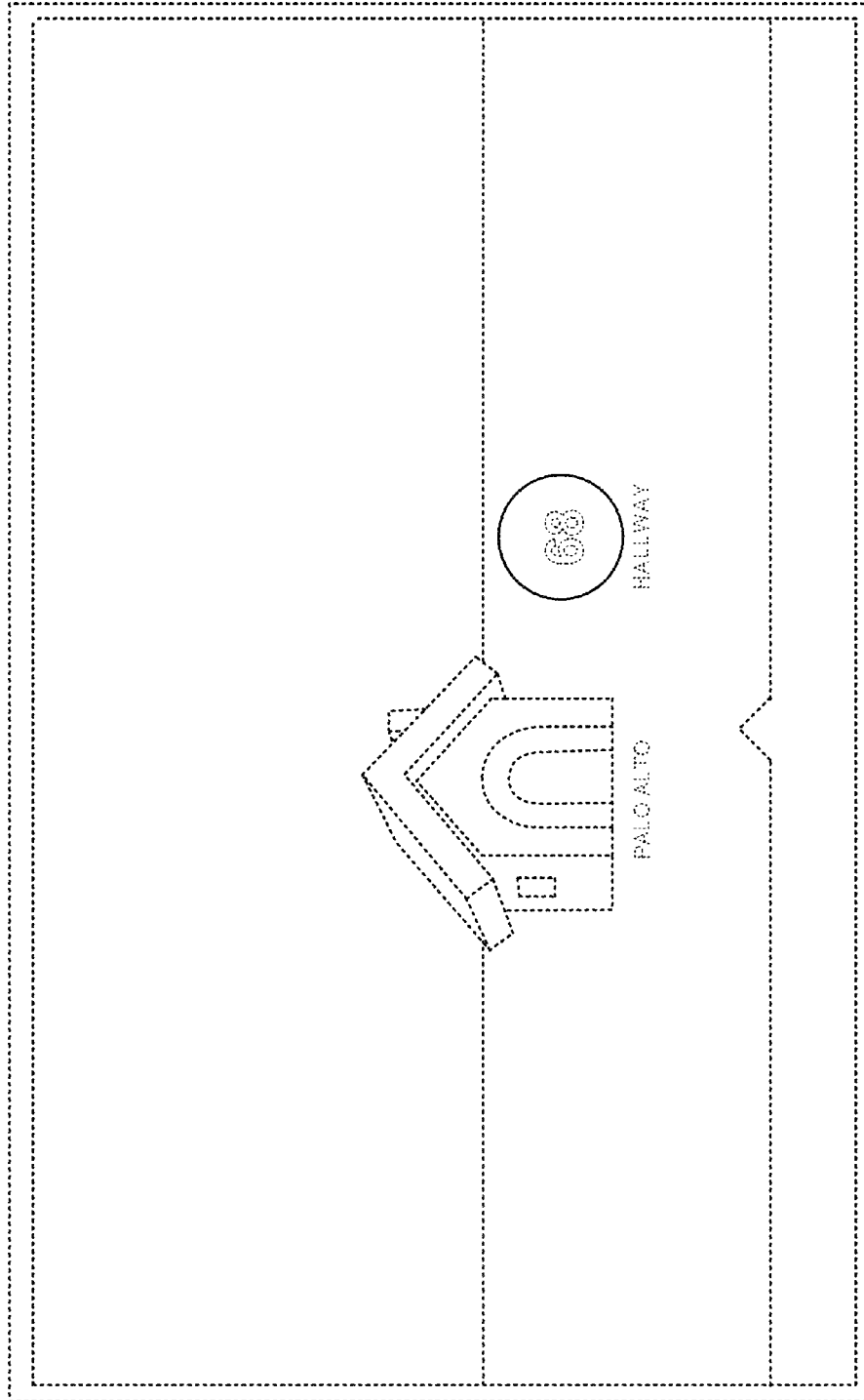


FIG. 2

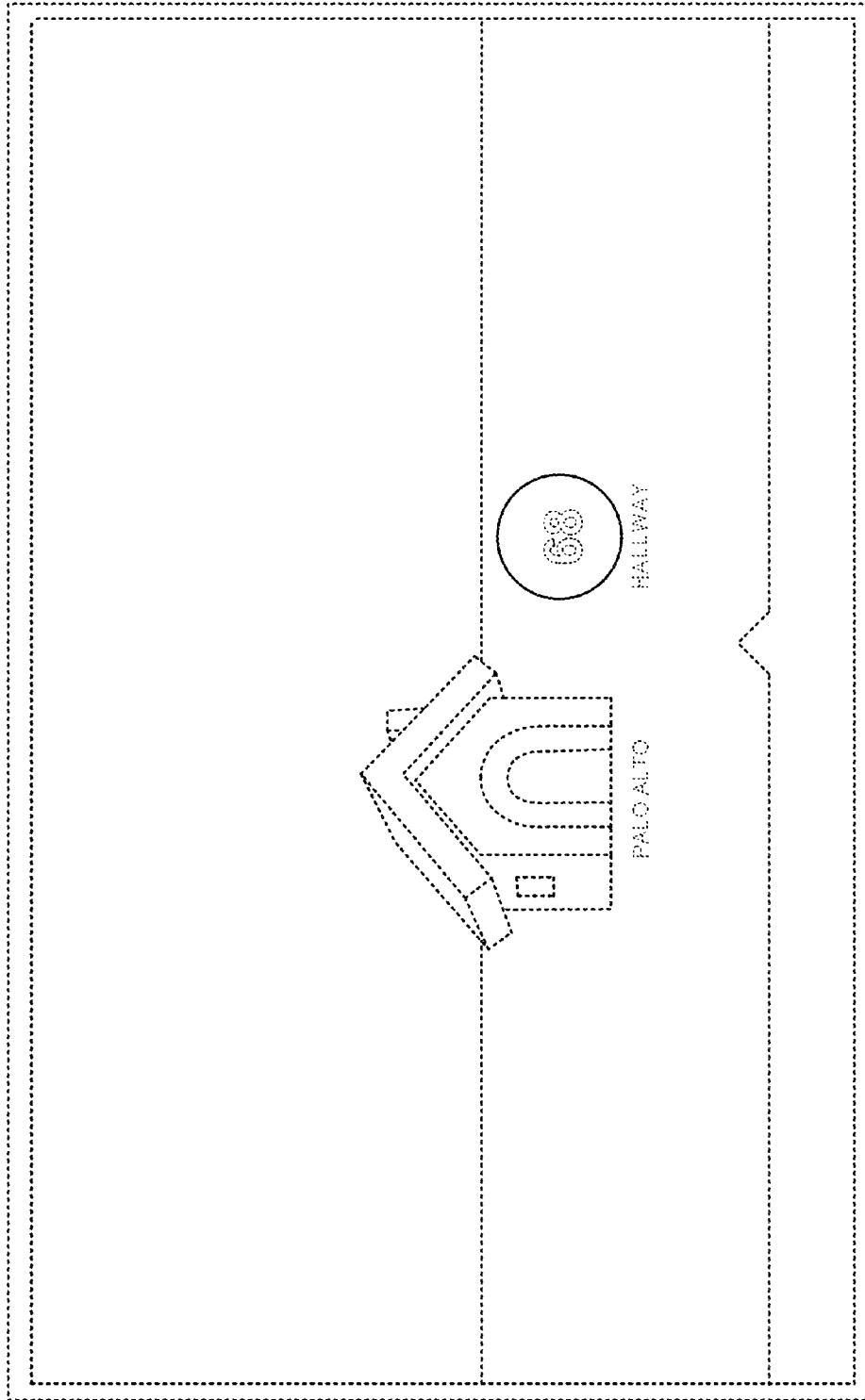


FIG. 3

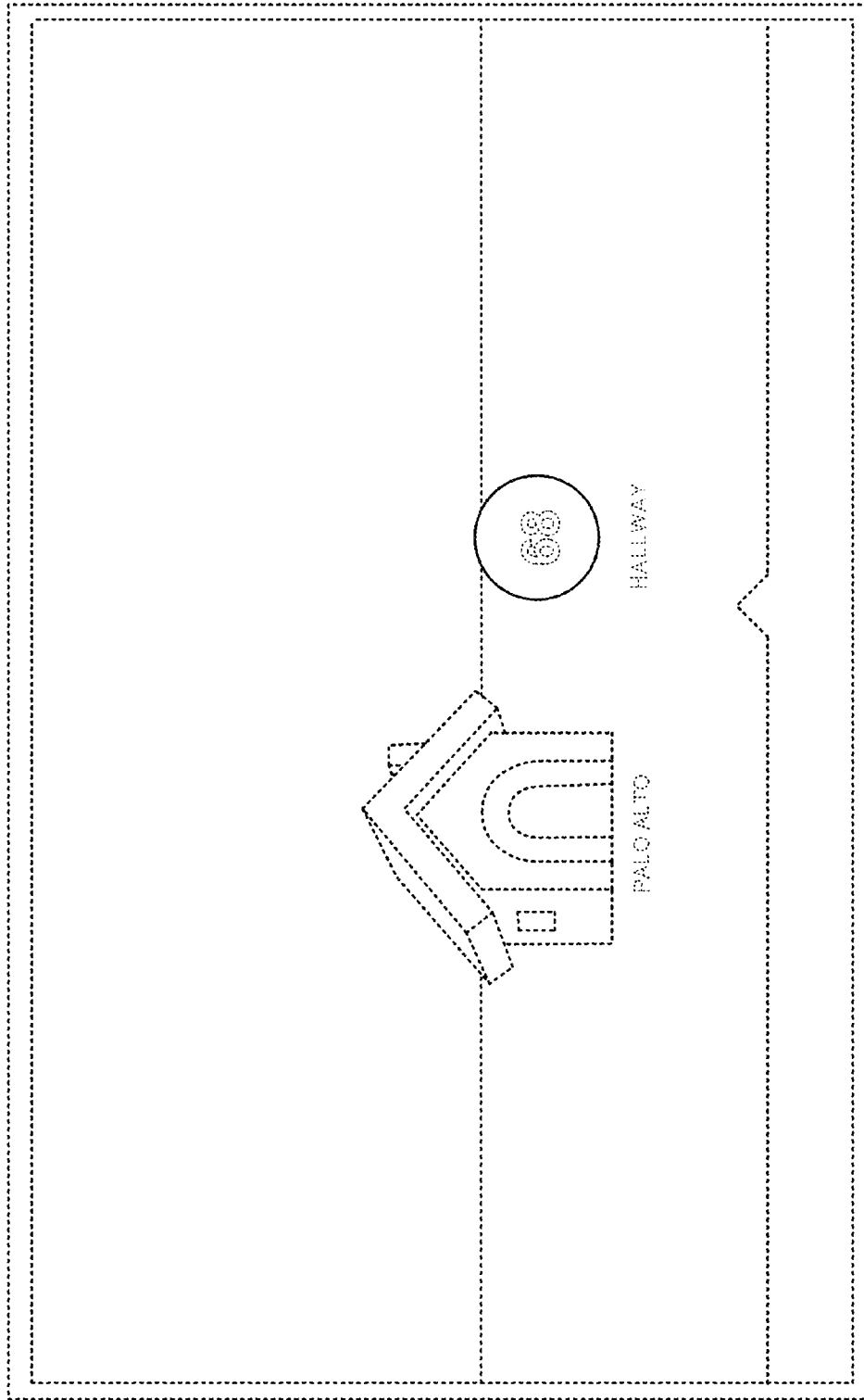


FIG. 4

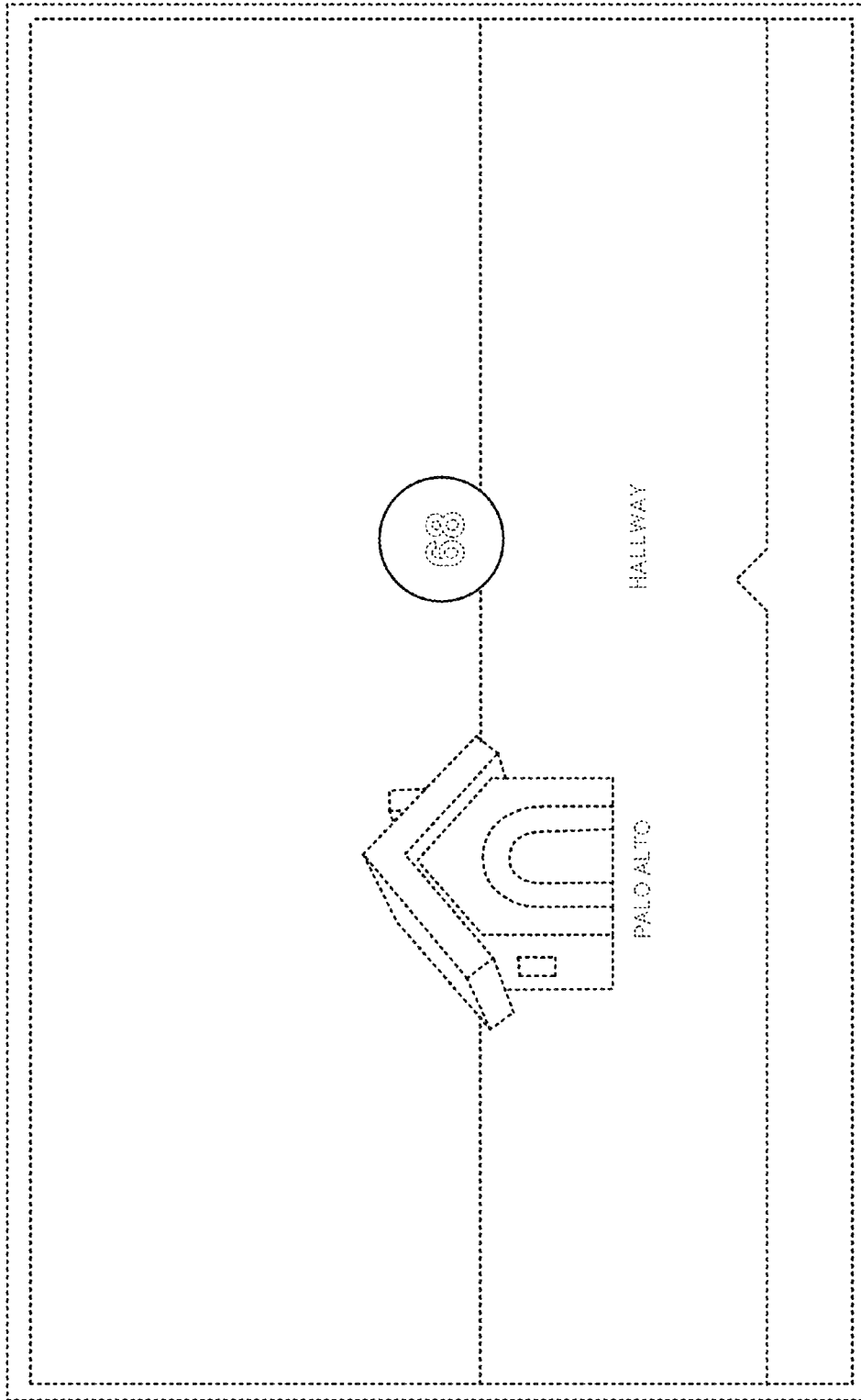


FIG. 5

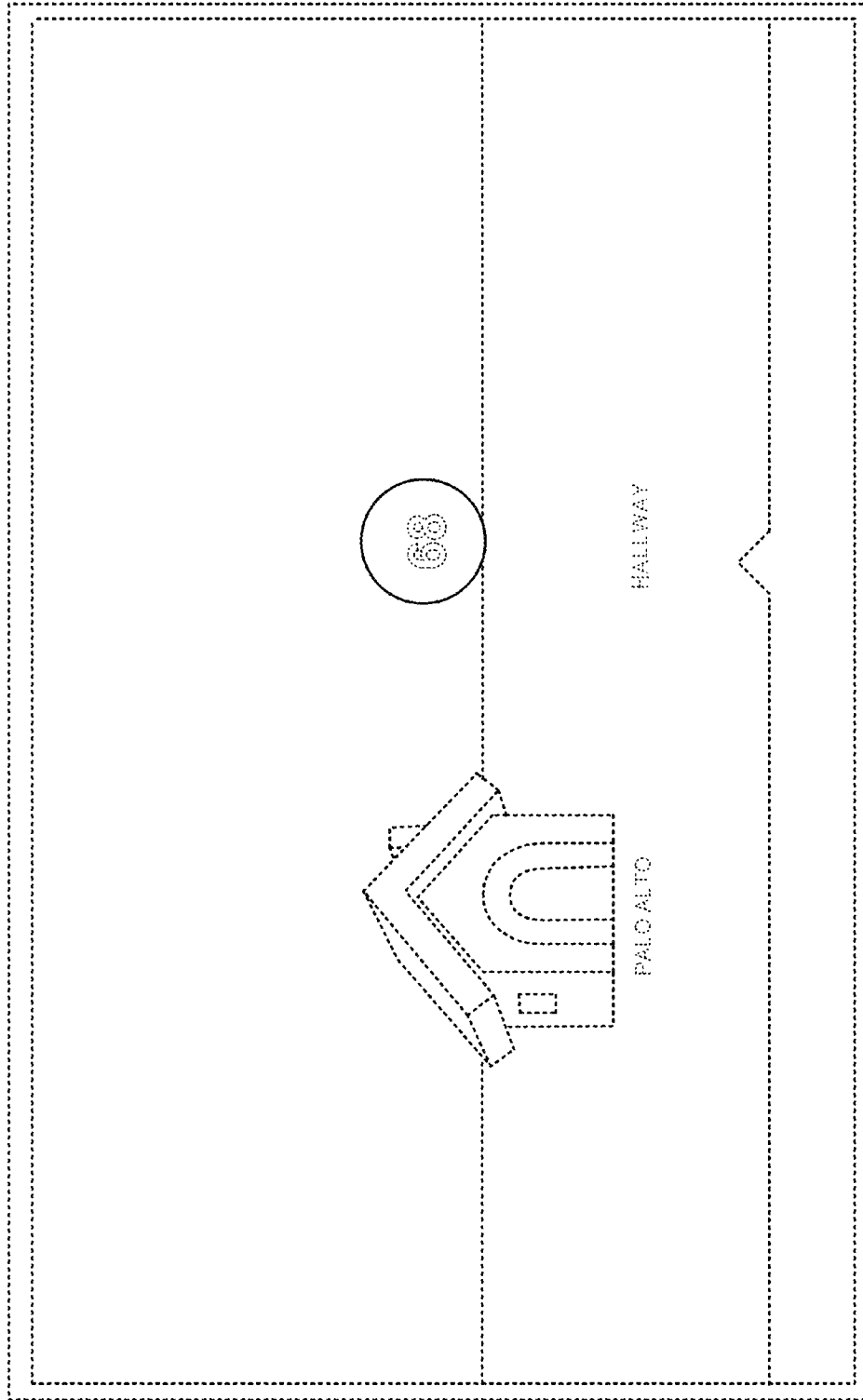


FIG. 6

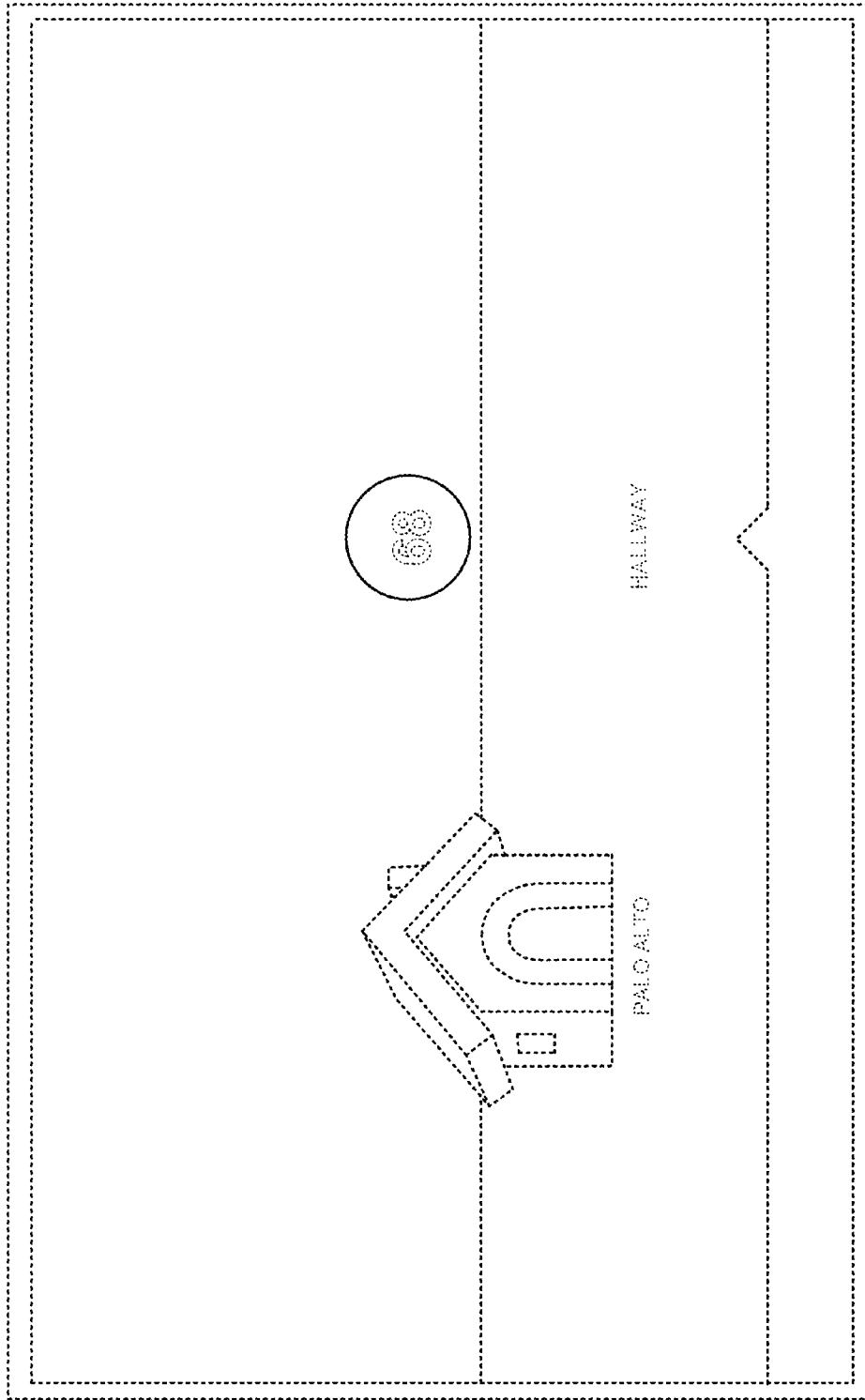


FIG. 7

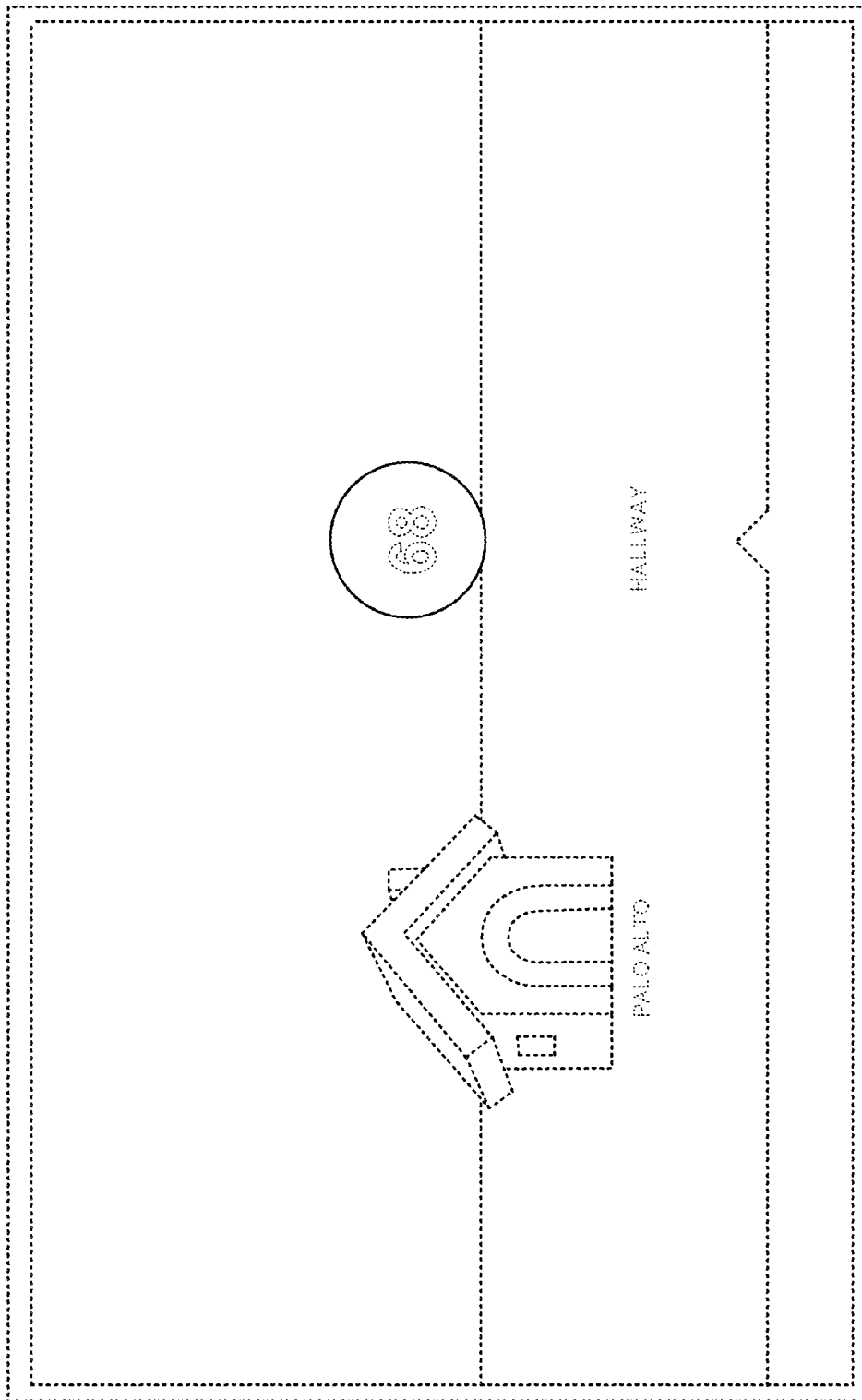


FIG. 8

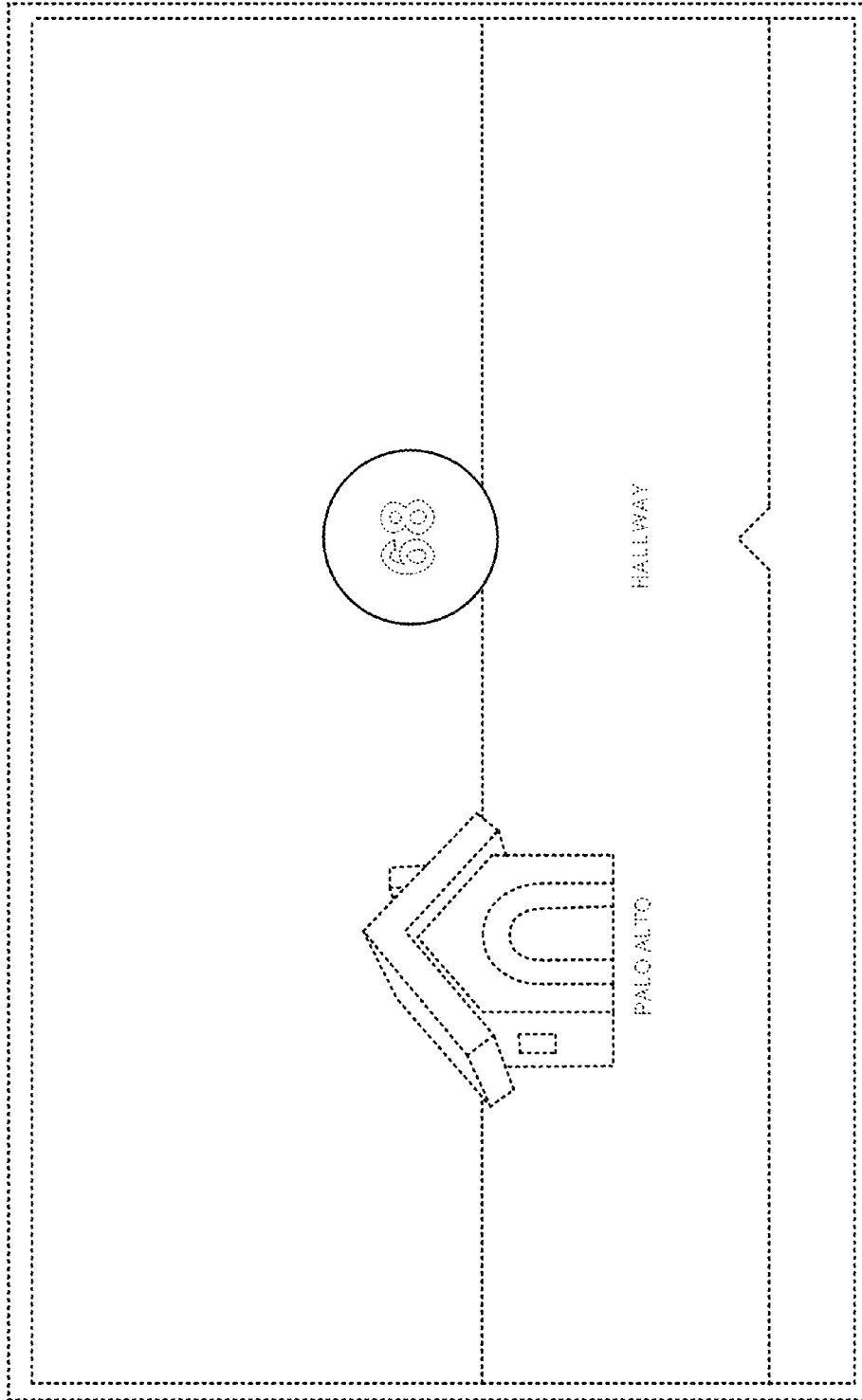


FIG. 9

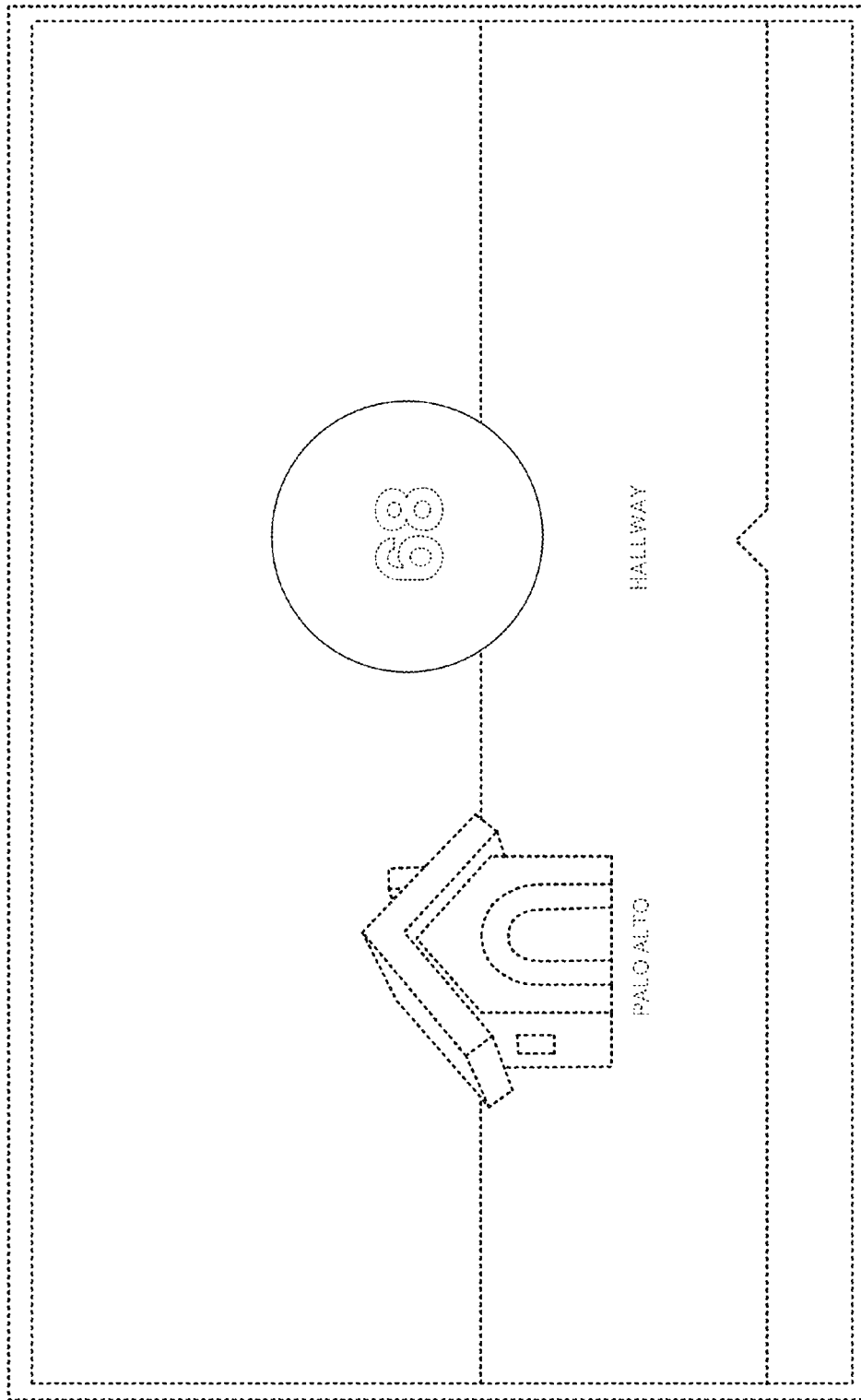


FIG. 10

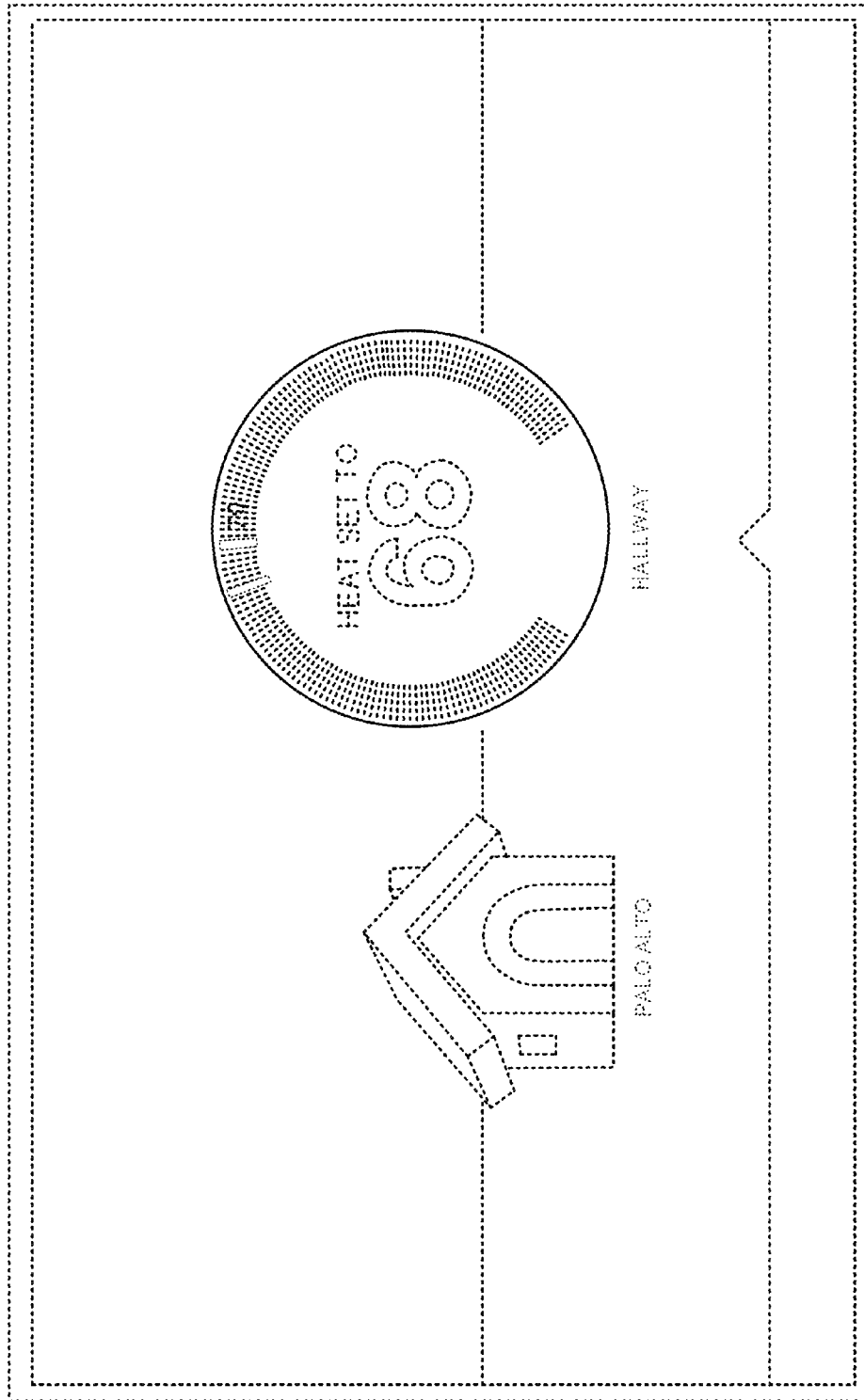


FIG. 11