



(12) **United States Design Patent**  
**Ma**

(10) **Patent No.:** **US D1,021,854 S**  
(45) **Date of Patent:** **\*\* Apr. 9, 2024**

(54) **HEADPHONE**

(71) Applicant: **Chentao Ma**, Shantou (CN)

(72) Inventor: **Chentao Ma**, Shantou (CN)

(\*\*) Term: **15 Years**

(21) Appl. No.: **29/923,520**

(22) Filed: **Dec. 29, 2023**

(51) **LOC (14) Cl.** ..... **14-01**

(52) **U.S. Cl.**  
USPC ..... **D14/205**

(58) **Field of Classification Search**  
USPC ..... D14/205, 188, 192; D29/112; 2/209;  
381/380-381, 374, 74  
CPC ..... H04R 25/00; H04R 25/02; H04R 1/1016;  
H04R 1/1066; H04R 5/033; H04R  
5/0335; H04R 1/1083; H04R 1/1041;  
H04R 1/0191

See application file for complete search history.

(56) **References Cited**

**U.S. PATENT DOCUMENTS**

D504,414 S *	4/2005	Yoshida	.....	D14/205
D573,581 S *	7/2008	Gondo	.....	D14/205
7,412,070 B2 *	8/2008	Kleinschmidt	.....	H04R 1/1066 381/74
D639,776 S *	6/2011	Arimoto	.....	D14/205
D660,824 S *	5/2012	Hardi	.....	D14/205
8,325,962 B2 *	12/2012	Ishida	.....	H04R 5/0335 381/384
D691,579 S *	10/2013	Lee	.....	D14/205
D706,240 S *	6/2014	Szymanski	.....	H04R 1/1066 D14/205
D706,241 S *	6/2014	Szymanski	.....	H04R 1/1066 D14/205
D734,297 S *	7/2015	Sasaki	.....	D14/205
D739,842 S *	9/2015	Birger	.....	D14/205
9,161,117 B2 *	10/2015	Blonder	.....	H04R 5/0335
D767,531 S *	9/2016	Szymanski	.....	D14/205

D780,713 S *	3/2017	Szymanski	.....	D14/205
D800,691 S *	10/2017	Ando	.....	D14/205
D828,326 S *	9/2018	Ye	.....	D14/205
D851,627 S *	6/2019	ter Laag	.....	D14/205
D852,163 S *	6/2019	Nagamine	.....	D14/205
D859,354 S *	9/2019	Xia	.....	D14/205
D860,163 S *	9/2019	Xia	.....	D14/205
D868,733 S *	12/2019	Luo	.....	D14/205
D883,949 S *	5/2020	Hu	.....	D14/205
D892,079 S *	8/2020	Wu	.....	D14/205
D919,603 S *	5/2021	Xia	.....	D14/223
D929,958 S *	9/2021	Kobayashi	.....	D14/205

(Continued)

**FOREIGN PATENT DOCUMENTS**

CN	306382225	*	3/2021
CN	308309136	*	11/2023

(Continued)

*Primary Examiner* — Paula Allen Greene

(74) *Attorney, Agent, or Firm* — Georgi Korobanov

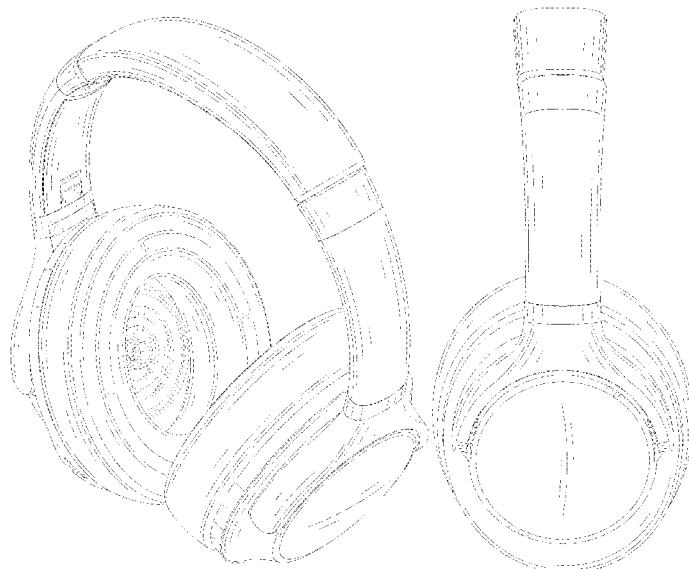
(57) **CLAIM**

The ornamental design for a headphone, as shown and described.

**DESCRIPTION**

FIG. 1 is a front, top and right side perspective view of a headphone, showing my new design;  
FIG. 2 is a rear, bottom and left side perspective view thereof;  
FIG. 3 is a front view thereof;  
FIG. 4 is a rear view thereof;  
FIG. 5 is a left side view thereof;  
FIG. 6 is a right side view thereof;  
FIG. 7 is a top plan view thereof; and,  
FIG. 8 is a bottom plan view thereof.  
The broken lines shown in the drawings illustrate portions of the headphone that form no part of the claimed design.

**1 Claim, 8 Drawing Sheets**



(56)

References Cited

U.S. PATENT DOCUMENTS

D944,761 S 3/2022 Lee  
D945,981 S \* 3/2022 Rois ..... D14/205  
D954,020 S 6/2022 Wan  
D964,312 S \* 9/2022 Chen ..... D14/205  
D968,355 S \* 11/2022 Wu ..... D14/205  
D968,359 S \* 11/2022 De ..... D14/206  
D970,468 S \* 11/2022 Williamson ..... D14/206  
D993,936 S \* 8/2023 Tang ..... D14/205  
D1,001,094 S \* 10/2023 Tang ..... D14/205  
D1,008,213 S \* 12/2023 Ma ..... D14/205  
D1,008,997 S \* 12/2023 Lin ..... D14/205  
2010/0310093 A1 \* 12/2010 Semcken ..... H04R 1/1058  
381/104  
2013/0343591 A1 \* 12/2013 Brunner ..... H04R 1/1091  
381/371  
2014/0254854 A1 \* 9/2014 Blonder ..... H04R 1/1066  
381/371  
2014/0363016 A1 \* 12/2014 Blonder ..... H03F 3/181  
381/74  
2019/0156814 A1 \* 5/2019 Eguchi ..... G10K 11/17853

FOREIGN PATENT DOCUMENTS

EM 008731046-0001 \* 10/2021  
EM 015028942-0003 \* 7/2023  
EM 015042414-0001 \* 11/2023  
GB 9004112043-0001 \* 7/2017  
GB 6281734 \* 5/2023  
GB 6310619 \* 9/2023

\* cited by examiner

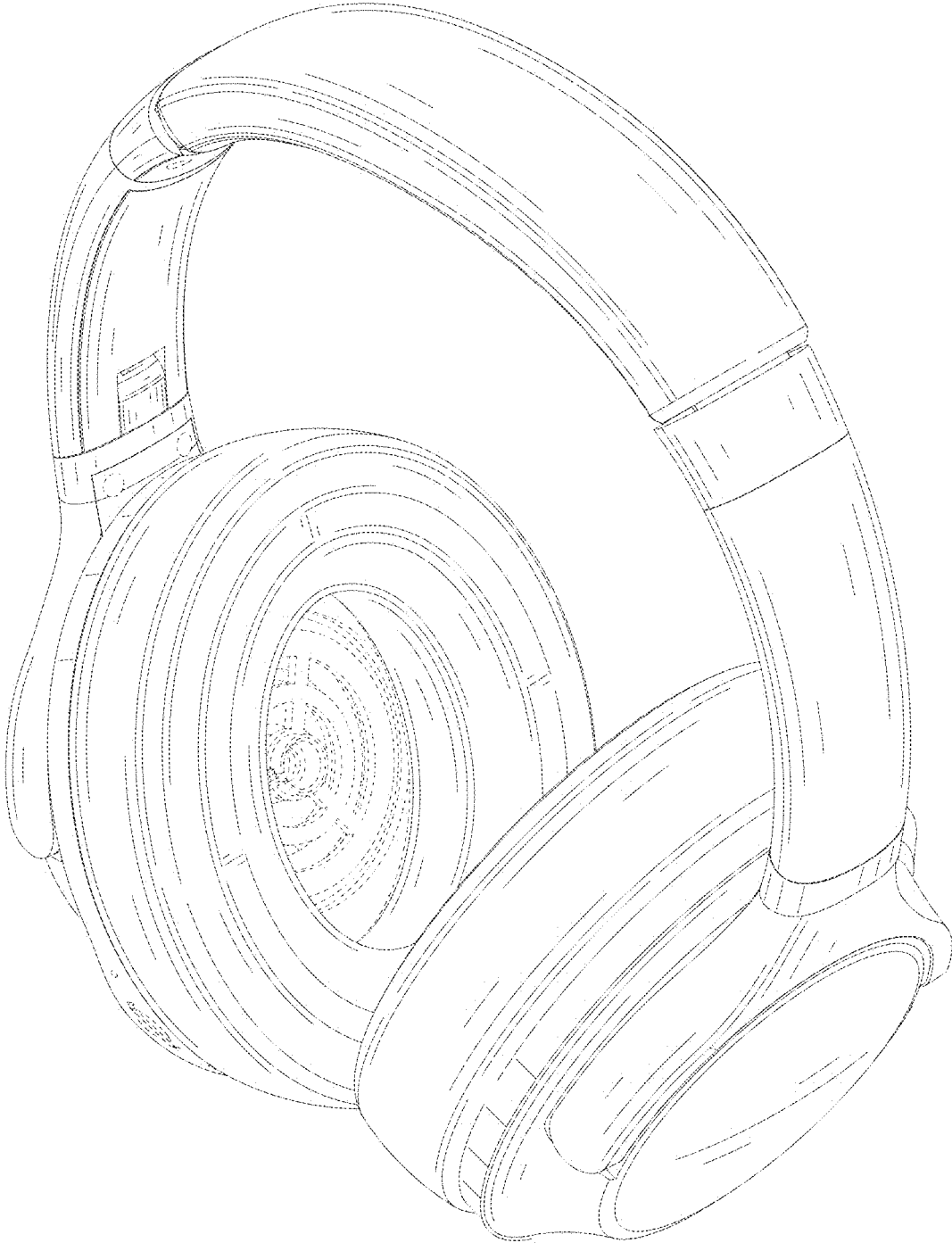


FIG. 1

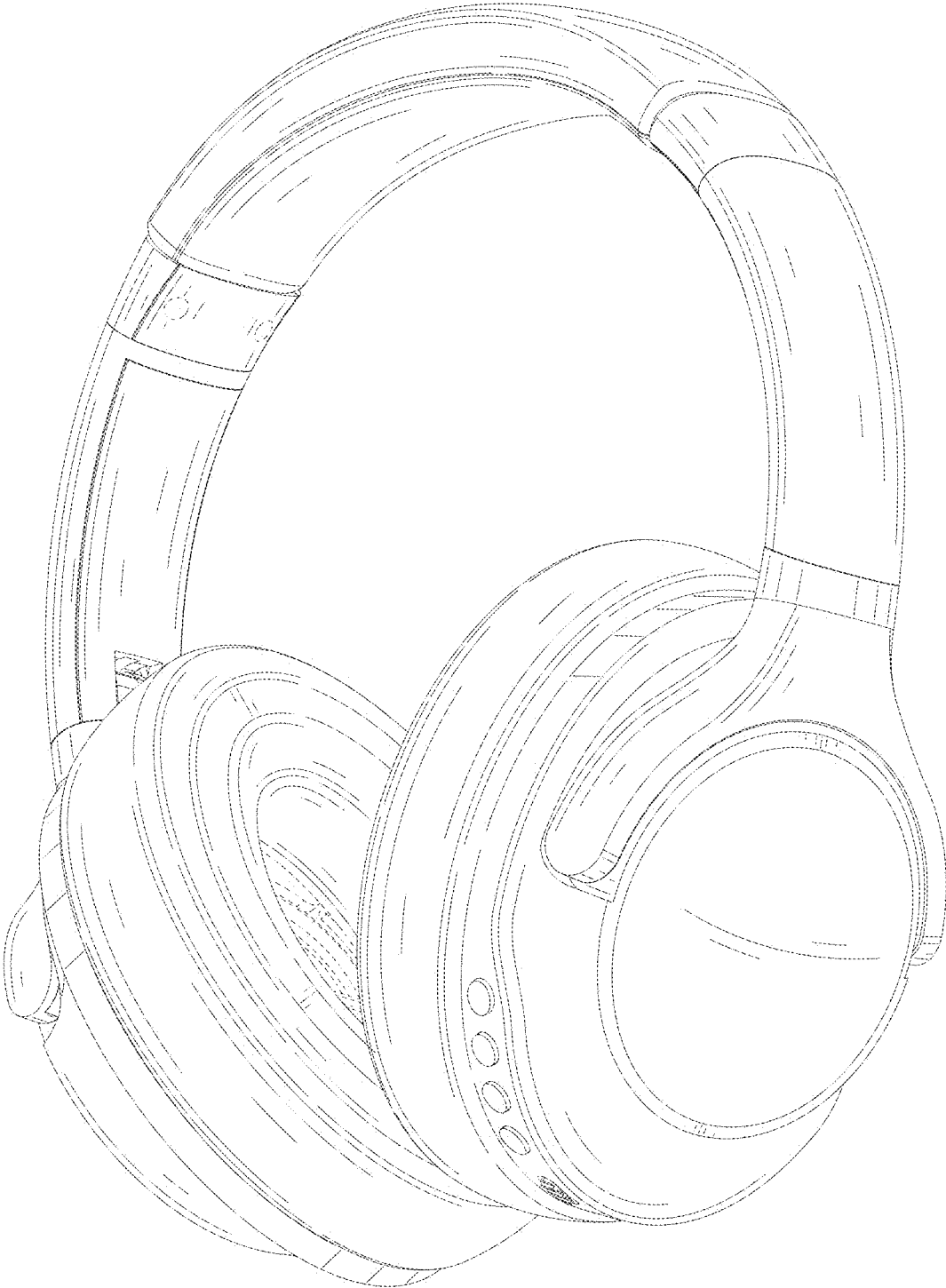


FIG. 2



FIG. 3



FIG. 4

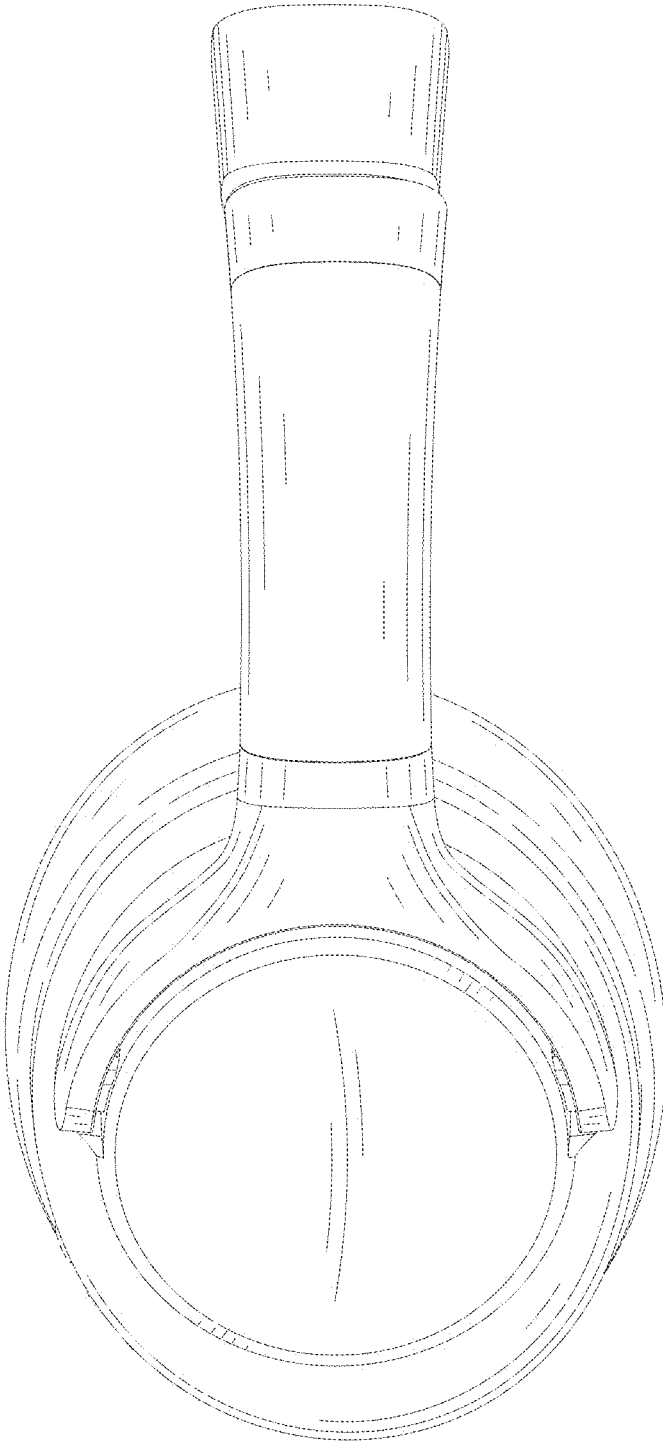


FIG. 5

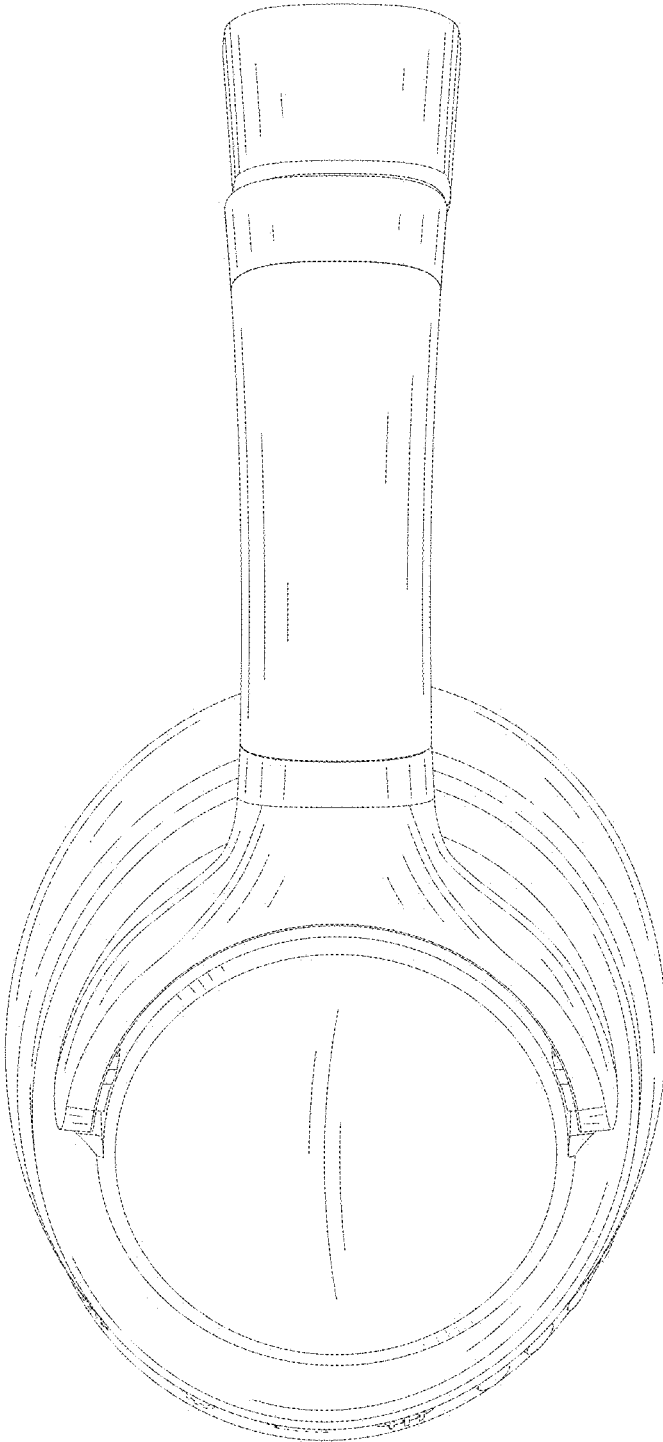


FIG. 6



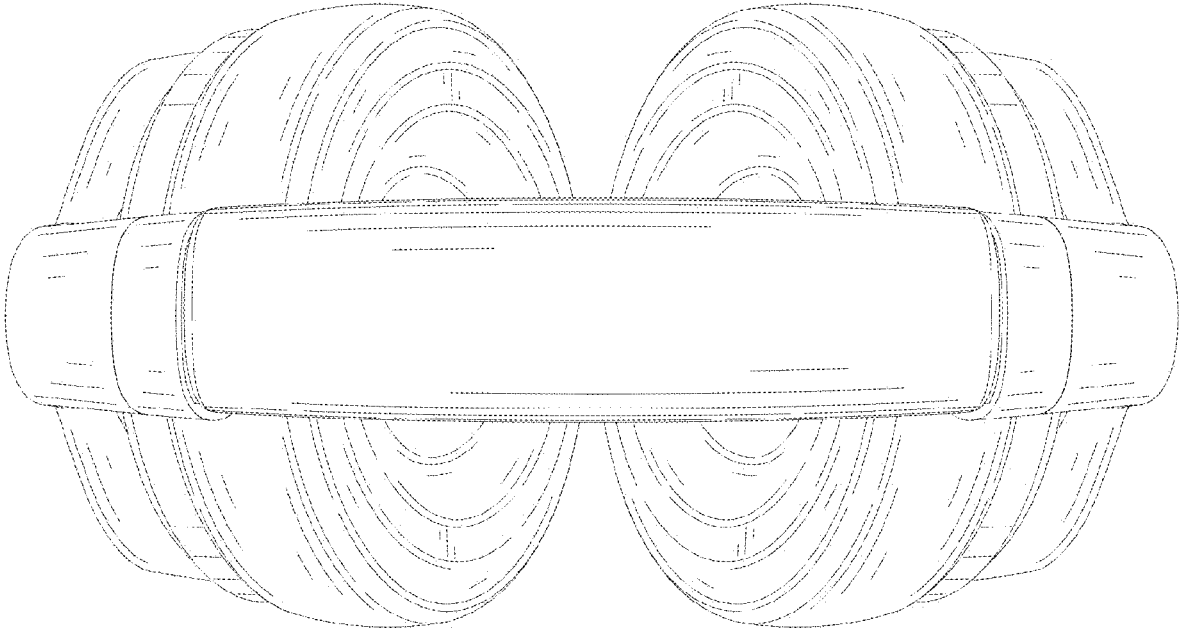


FIG. 7

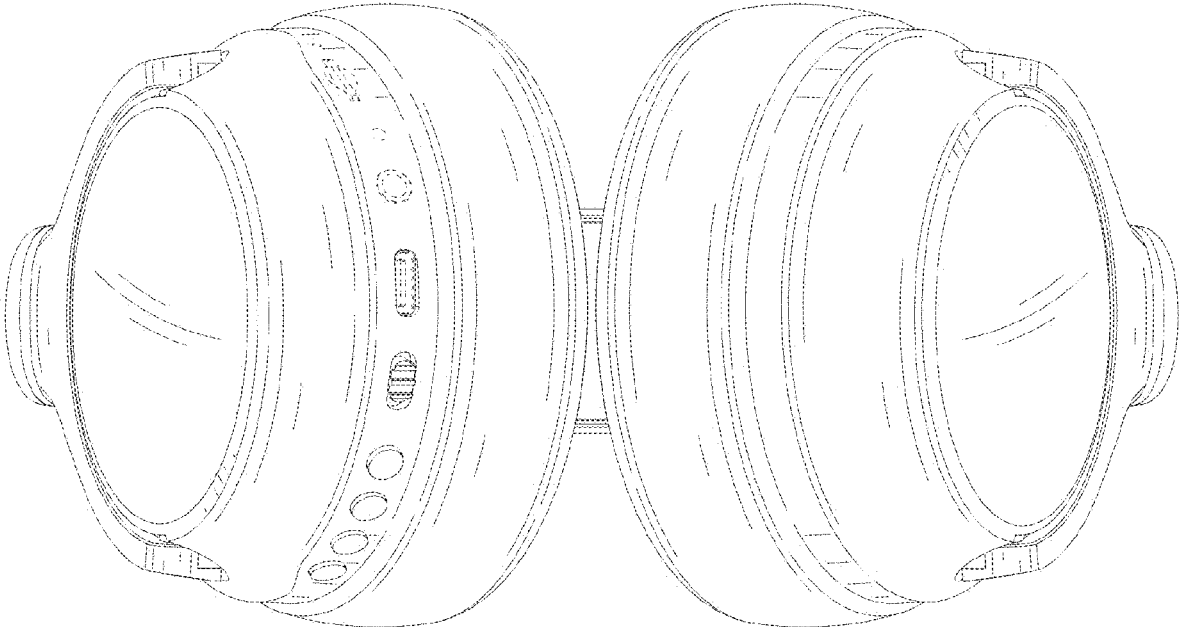


FIG. 8