



US00D932829S

(12) **United States Design Patent**
Chastan

(10) **Patent No.:** **US D932,829 S**

(45) **Date of Patent:** **** Oct. 12, 2021**

(54) **KITCHEN KNIFE HANDLE**

(56) **References Cited**

(71) Applicant: **Only-Hits Limited**, Hong Kong (CN)

U.S. PATENT DOCUMENTS

(72) Inventor: **Antoine Chastan**, Saint-André-lez-Lille (FR)

D773,891	S	*	12/2016	Liu	D7/401.2
D831,419	S	*	10/2018	Liu	D7/401.2
D849,476	S	*	5/2019	Heine	D7/401.2
D893,947	S	*	8/2020	Pulk	D7/401.2
2009/0007434	A1	*	1/2009	Kwok	B26B 3/00
						30/125
2012/0151777	A1	*	6/2012	Ritter	B26B 3/00
						30/165
2018/0056529	A1	*	3/2018	Liu	B26B 3/00

(**) Term: **15 Years**

(21) Appl. No.: **35/509,881**

(22) Filed: **Jun. 5, 2020**

* cited by examiner

(80) **Hague Agreement Data**

Primary Examiner — Michael A. Pratt

Int. Filing Date: **Jun. 5, 2020**

Int. Reg. No.: **DM/209251**

Int. Reg. Date: **Jun. 5, 2020**

Int. Reg. Pub. Date: **Jul. 24, 2020**

(57) **CLAIM**

The ornamental design for a kitchen knife handle, as shown and described.

(51) **LOC (13) Cl.** **07-02**

(52) **U.S. Cl.**

USPC **D7/393**

(58) **Field of Classification Search**

USPC D7/642, 645, 393, 649, 653, 401.2;
D8/93, 97-98, 107; D22/117-118

CPC A47G 21/02; A47G 21/14; A47G 21/00;
B26B 1/10; B26B 3/00; B25G 1/102

See application file for complete search history.

DESCRIPTION

1. Kitchen knife handle

1.1 : Front

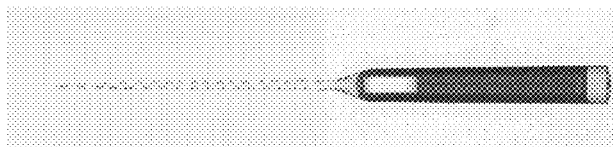
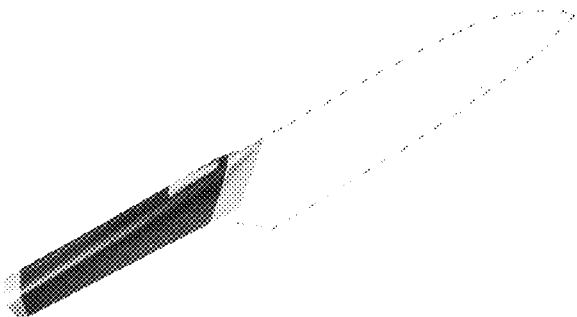
1.2 : Perspective

1.3 : Top

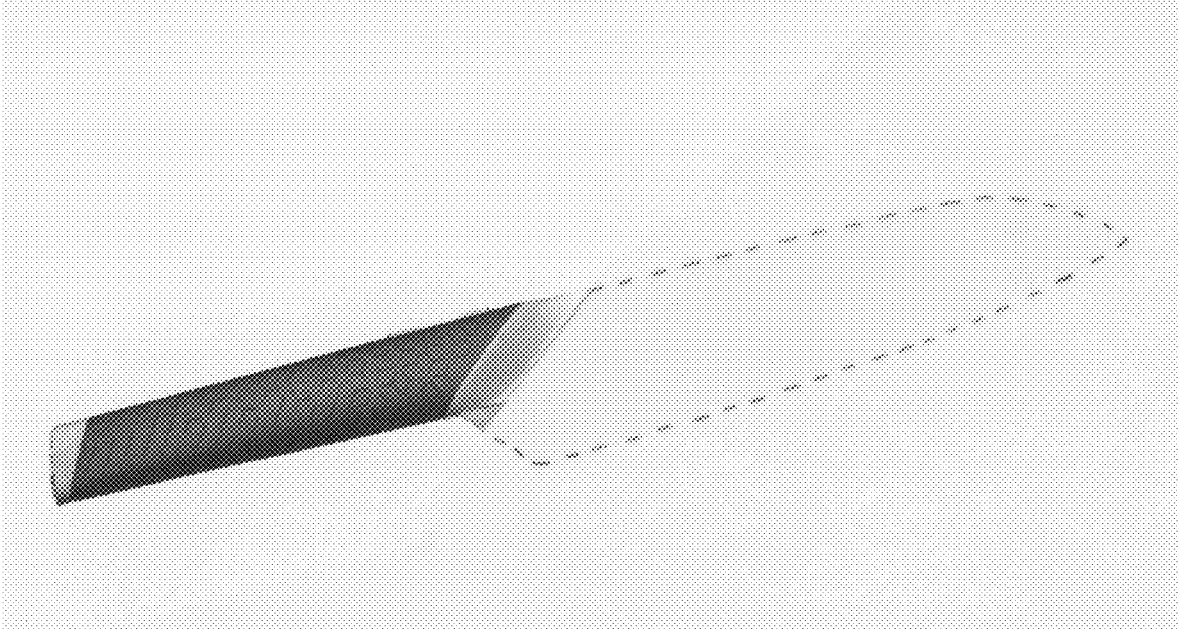
Knife handle with an adjustable center of gravity.

The broken line showing of a knife blade is for the purpose of illustrating environment and forms no part of the claimed design.

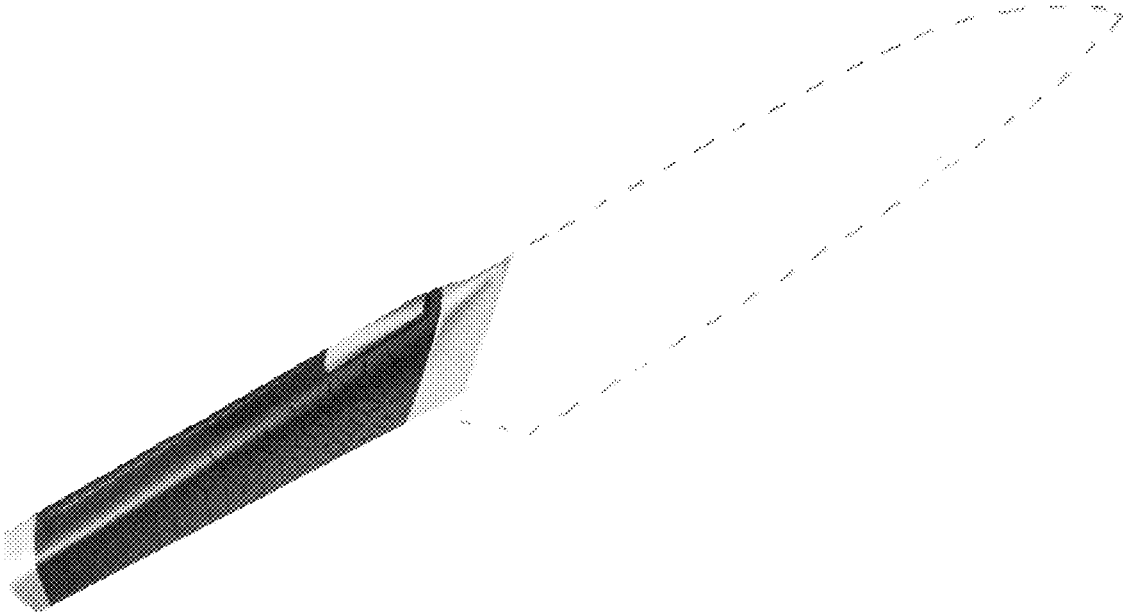
1 Claim, 3 Drawing Sheets



1.1



1.2



1.3

