



US00D997125S

(12) **United States Design Patent**  
**Estabrook et al.**

(10) **Patent No.:** **US D997,125 S**  
(45) **Date of Patent:** **\*\* Aug. 29, 2023**

(54) **HEADSET**  
(71) Applicant: **David Clark Company Incorporated,**  
Worcester, MA (US)  
(72) Inventors: **Mark Estabrook,** Acton, MA (US);  
**Richard Urella,** Grafton, MA (US)  
(73) Assignee: **David Clark Company Incorporated,**  
Worcester, MA (US)  
(\*\*) Term: **15 Years**  
(21) Appl. No.: **29/809,406**  
(22) Filed: **Sep. 28, 2021**  
(51) **LOC (14) Cl.** ..... **14-01**  
(52) **U.S. Cl.**  
USPC ..... **D14/206; D14/226**  
(58) **Field of Classification Search**  
USPC ..... D14/206, 226, 205; D29/112; 2/209;  
381/380-381, 374  
CPC ..... H04R 25/00; H04R 25/02; H04R 1/10;  
H04R 1/1066; H04R 1/1016; H04R  
5/033; H04R 5/0335; H04R 1/1091;  
H04R 19/04  
See application file for complete search history.

6,154,539 A \* 11/2000 Pitel ..... H04M 1/05  
379/430  
D530,307 S \* 10/2006 Rath ..... D14/206  
D535,285 S \* 1/2007 Skulley ..... D14/205  
D573,581 S \* 7/2008 Gondo ..... D14/205  
D593,995 S \* 6/2009 Shimizu ..... D14/205  
D602,001 S \* 10/2009 Bentley ..... D14/206  
D625,705 S \* 10/2010 Ohori ..... D14/223  
D645,023 S \* 9/2011 Brandis ..... D14/206  
D654,472 S \* 2/2012 Fischer ..... D14/206  
D664,116 S \* 7/2012 Hutchieson ..... D14/205  
D666,168 S \* 8/2012 Rath ..... D14/206  
D673,523 S \* 1/2013 Brennwald ..... D14/206  
D687,808 S \* 8/2013 Combs ..... D14/205  
D706,244 S \* 6/2014 Goransson ..... D14/225  
D707,655 S \* 6/2014 Porter ..... H04M 1/05  
D14/206  
D719,135 S \* 12/2014 Kelley ..... D14/205  
D731,458 S \* 6/2015 Goransson ..... D14/206  
D732,002 S \* 6/2015 Goransson ..... D14/206  
(Continued)

**FOREIGN PATENT DOCUMENTS**

GB 6214075 \* 6/2022  
*Primary Examiner* — Paula Allen Greene  
(74) *Attorney, Agent, or Firm* — Burns & Levinson LLP;  
Steven M. Mills

(57) **CLAIM**

The ornamental design for a headset, as shown and described.

**DESCRIPTION**

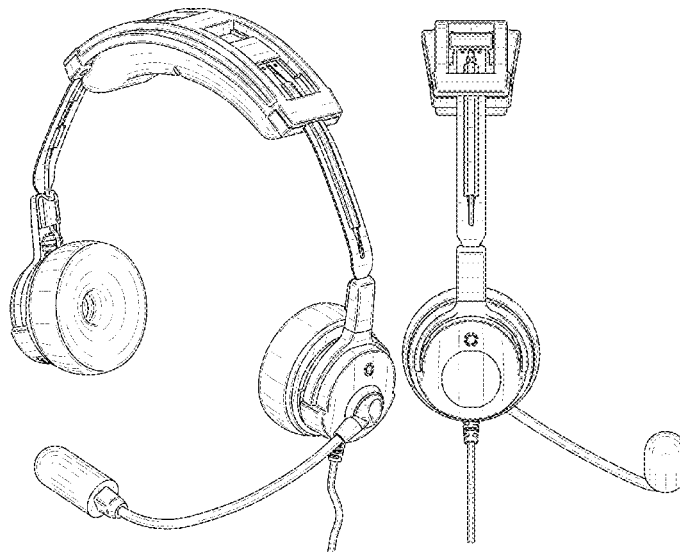
FIG. 1 is a perspective view of a headset showing the new design;  
FIG. 2 is a front view of the headset of FIG. 1.  
FIG. 3 is a rear view of the headset of FIG. 1.  
FIG. 4 is a right side view of the headset of FIG. 1.  
FIG. 5 is a left side view of the headset of FIG. 1.  
FIG. 6 is a top view of the headset of FIG. 1; and,  
FIG. 7 is a bottom view of the headset of FIG. 1.

**1 Claim, 5 Drawing Sheets**

(56) **References Cited**

**U.S. PATENT DOCUMENTS**

2,686,231 A \* 8/1954 Stevens ..... H04M 1/05  
381/374  
D270,634 S \* 9/1983 Ungar ..... D14/205  
D337,116 S \* 7/1993 Hattori ..... D14/206  
5,369,857 A \* 12/1994 Sacherman ..... H04R 5/0335  
379/430  
D357,481 S \* 4/1995 Giuntoli ..... D14/227  
5,469,505 A \* 11/1995 Gattey ..... H04M 1/05  
D14/206  
5,640,458 A \* 6/1997 Nishiguchi ..... H04R 5/033  
704/229



(56)

References Cited

U.S. PATENT DOCUMENTS

D733,113	S *	6/2015	Krantz	.....	D14/251	D847,783	S *	5/2019	Wernblad	.....	D14/206
9,271,065	B2 *	2/2016	Lamb	.....	H04R 1/105	D847,784	S *	5/2019	Wernblad	.....	D14/206
D760,177	S *	6/2016	Gassner	.....	D13/168	D855,038	S *	7/2019	Hu	.....	D14/224
D765,623	S *	9/2016	Yang	.....	D14/224	D864,156	S *	10/2019	Liu	.....	D14/206
D771,012	S *	11/2016	Wagner	.....	D14/205	D866,509	S *	11/2019	Lindof	.....	D14/206
D777,166	S *	1/2017	Bidwell	.....	D14/447	D875,073	S *	2/2020	Pedersen	.....	D14/206
D796,484	S *	9/2017	Chen	.....	D14/218	D881,843	S *	4/2020	Hu	.....	D14/206
D799,449	S *	10/2017	Yoon	.....	D14/218	D913,988	S *	3/2021	Bellham	.....	D14/205
D799,450	S *	10/2017	Lee	.....	D14/218	D942,414	S *	2/2022	Liu	.....	D14/206
D806,676	S *	1/2018	Fuglsang	.....	D14/206	D951,907	S *	5/2022	Bellham	.....	D14/206
D813,805	S *	3/2018	Zhong	.....	D13/108	D971,876	S *	12/2022	Levine	.....	D14/205
D814,413	S *	4/2018	Zhong	.....	D13/108	2001/0017925	A1 *	8/2001	Ceravolo	.....	H04M 1/05 381/370
D822,638	S *	7/2018	Liu	.....	D14/206	2011/0228925	A1 *	9/2011	Birch	.....	H04R 1/1041 379/428.02
D824,913	S *	8/2018	Bidwell	.....	D14/447	2012/0328119	A1 *	12/2012	Heise	.....	H04R 1/1066 381/74
D826,851	S *	8/2018	Wang	.....	D13/108	2017/0019724	A1 *	1/2017	Cochran	.....	H04R 1/1066
D827,568	S *	9/2018	Turksu	.....	D13/108	2017/0019728	A1 *	1/2017	Cochran	.....	H04R 1/1091
D827,617	S *	9/2018	Dillon	.....	D14/224	2017/0019729	A1 *	1/2017	Cochran	.....	H04R 1/1091
D830,339	S *	10/2018	Yan	.....	D14/206	2020/0413195	A1 *	12/2020	Wahlin	.....	H04R 1/1066
D838,687	S *	1/2019	Wu	.....	D14/205	2021/0029435	A1 *	1/2021	Siahaan	.....	H04R 1/1066
D843,349	S *	3/2019	Burgess	.....	D14/206						
D847,782	S *	5/2019	Wernblad	.....	D14/206						

\* cited by examiner

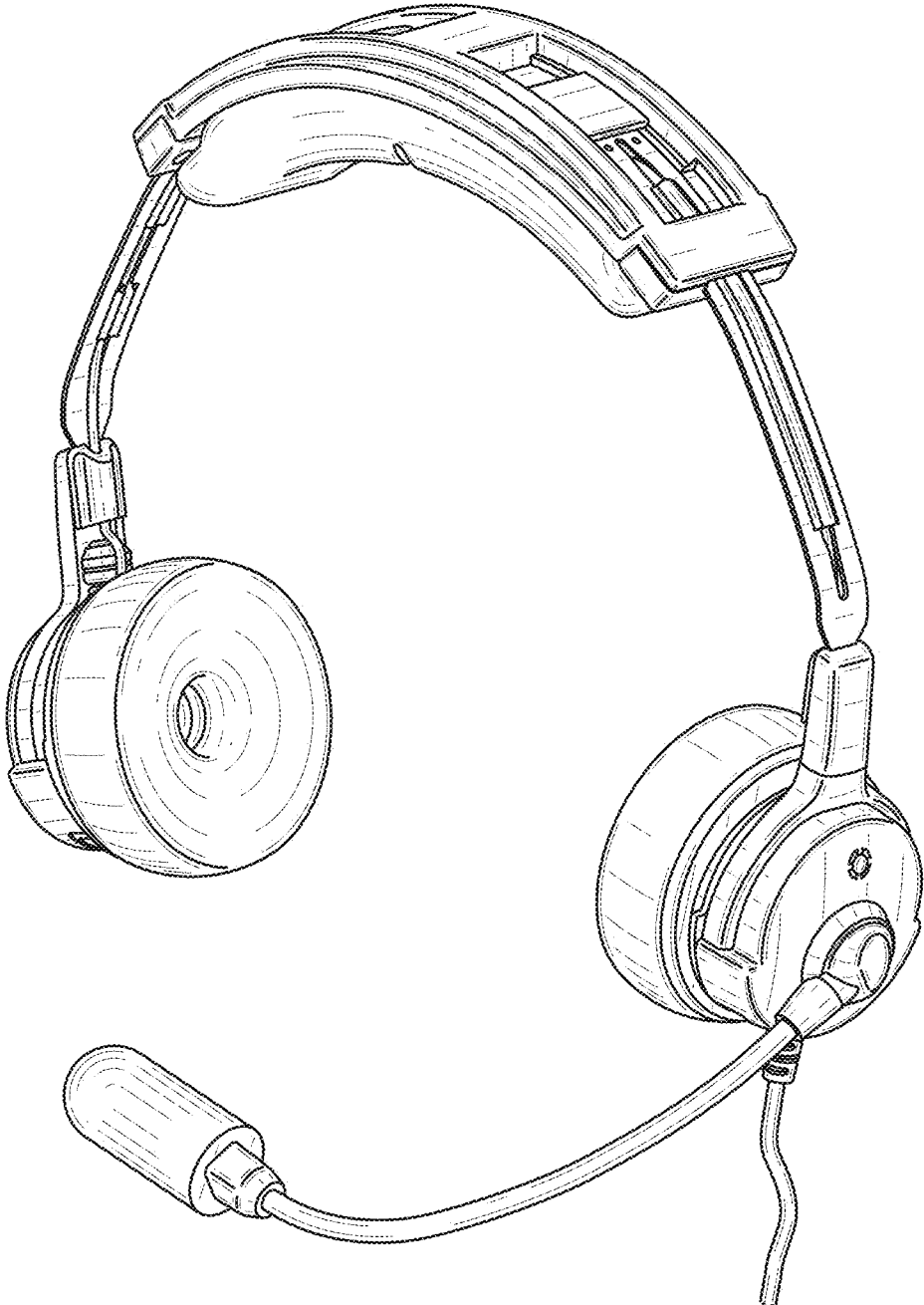


FIG. 1



FIG. 2



FIG. 3

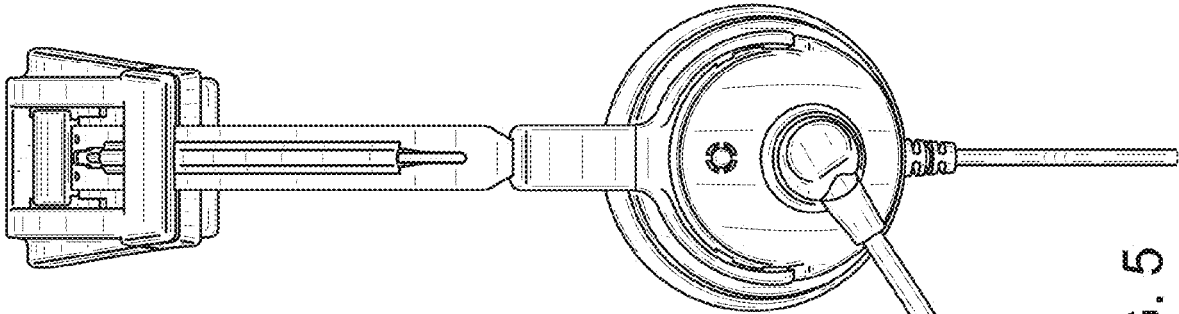


FIG. 5

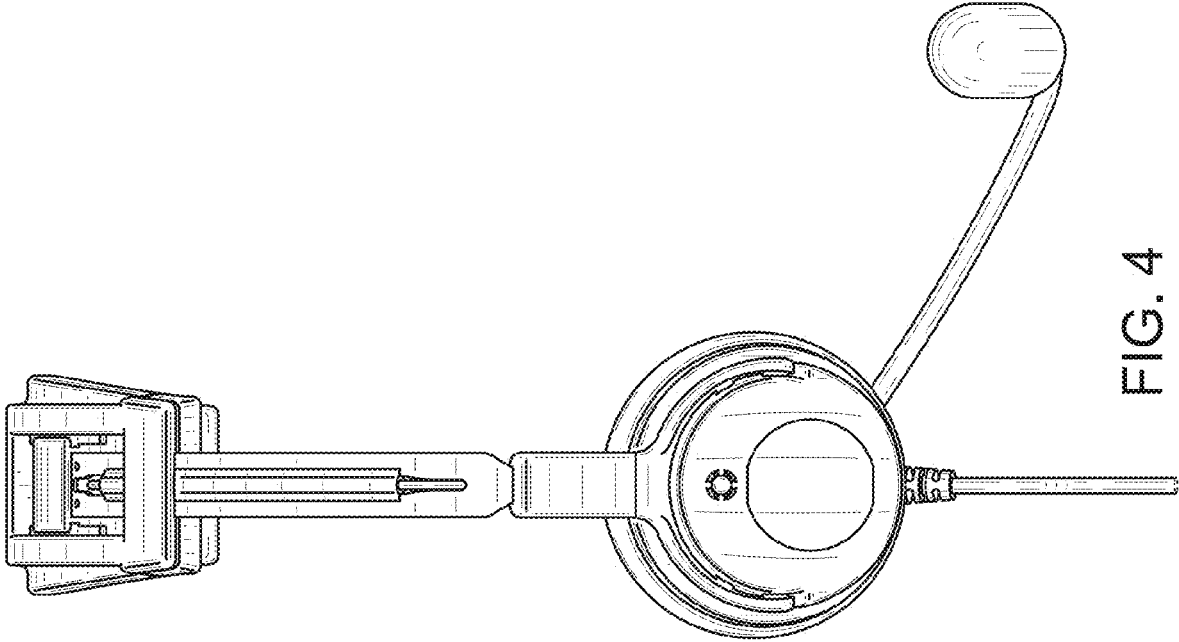


FIG. 4

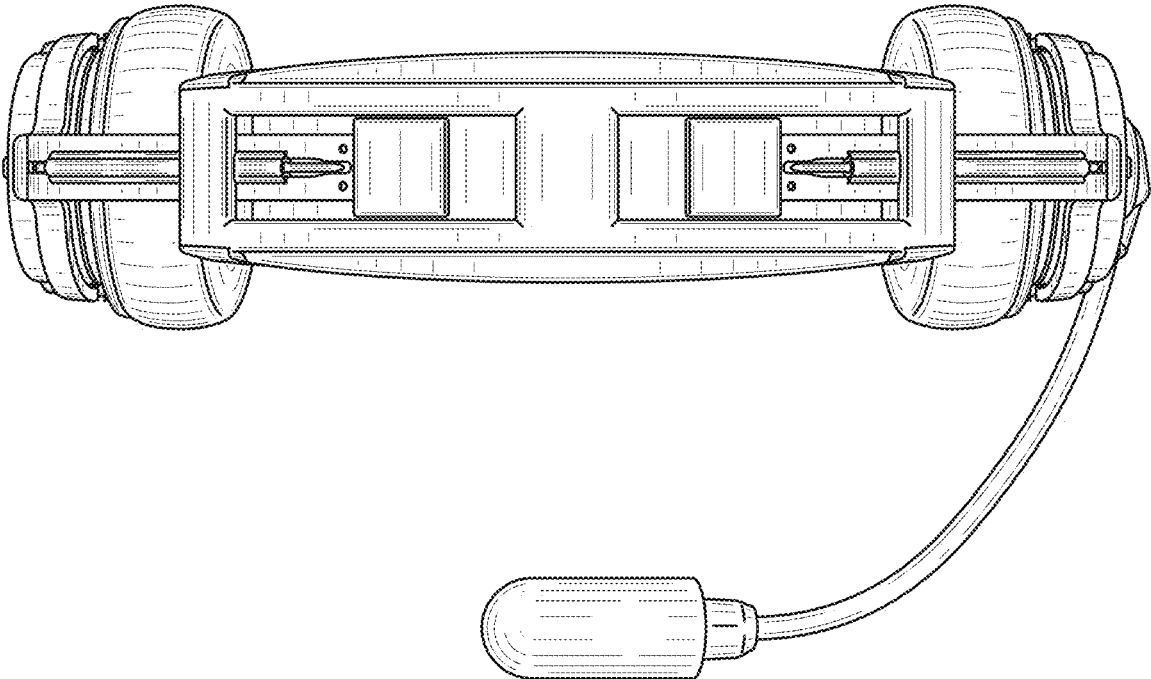


FIG. 6

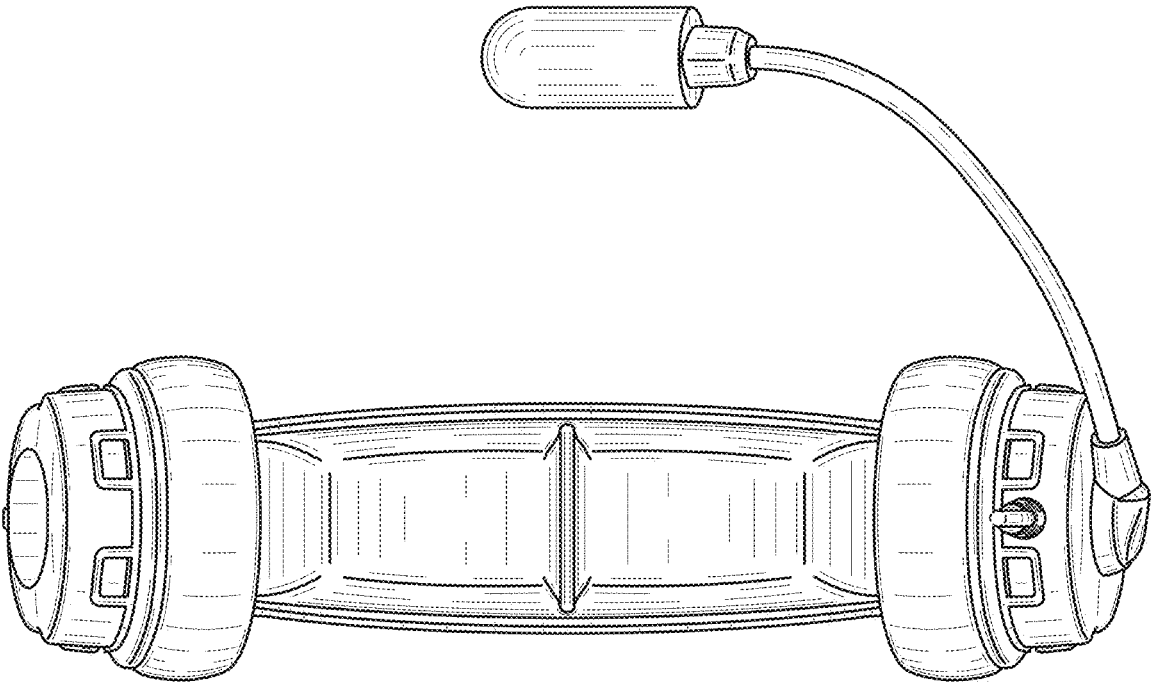


FIG. 7