



US00D600907S

(12) **United States Design Patent**
Boyd et al.

(10) **Patent No.:** **US D600,907 S**

(45) **Date of Patent:** **** Sep. 29, 2009**

(54) **PHONE CASE**

2007/0130797 A1 6/2007 Seamans
2009/0050658 A1 2/2009 Boyd et al.

(75) Inventors: **Michael Boyd**, Boulder, CO (US);
Richard N. Case, Boulder, CO (US);
Bowden Ormsbee, Longmont, CO (US);
Richard Schmelzer, Boulder, CO (US)

OTHER PUBLICATIONS

Chipchick.conn, CES 2007 Coverage, http://web.archive.org/web/20070111061710/http://chipchick.com/2007/01/ces_2007_the_new_an... (4 pgs.) (archived Jan. 11, 2007).
Allen M. Krass, Letter to Jared Briant regarding phoneGear patent, Jan. 29, 2008.

(73) Assignee: **Crocs, Inc.**, Niwot, CO (US)

Jared Briant, Letter to Julie Greenburg Re: foneGEAR LLC, Jan. 16, 2008.

(**) Term: **14 Years**

Jared Briant, Letter to Allen M. Krass Re: foneGEAR LLC, Feb. 29, 2008.

(21) Appl. No.: **29/303,882**

Julie Greenburg, Letter to Rick Case Re: foneGEAR LLC, Jan. 8, 2008.

(22) Filed: **Feb. 19, 2008**

Allen M. Krass, Letter to Jared Briant Re: foneGEAR LLC, Feb. 27, 2008.

(51) **LOC (9) Cl.** **03-01**

File History for U.S. App. No. 10/602,416, filed Jun. 23, 2003.

(52) **U.S. Cl.** **D3/218**

(58) **Field of Classification Search** D3/218,

D3/219, 207-212, 215; 224/930, 666, 674,

224/219, 222, 267; D2/923-936; 379/453-455

See application file for complete search history.

* cited by examiner

Primary Examiner—Catherine R Oliver

(74) *Attorney, Agent, or Firm*—Faegre & Benson, LLP

(56) **References Cited**

(57) **CLAIM**

U.S. PATENT DOCUMENTS

The ornamental design for phone case, as shown and described.

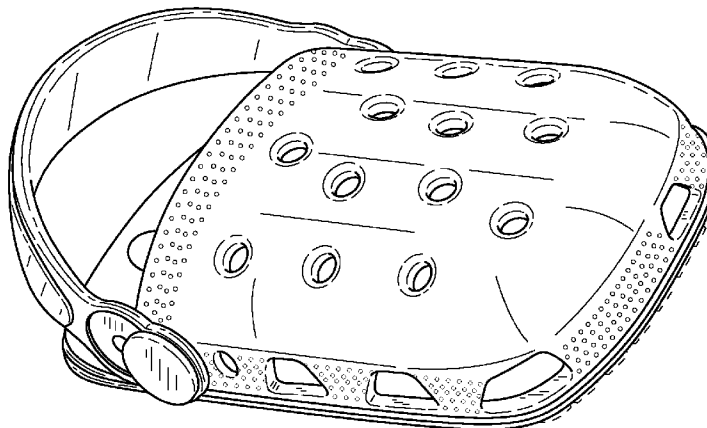
D471,004 S *	3/2003	Cosentino	D3/211
D515,310 S *	2/2006	Liu et al.	D3/218
6,993,858 B2	2/2006	Seamans		
D517,789 S	3/2006	Seamans		
D517,790 S	3/2006	Seamans		
D524,043 S *	7/2006	Kamiya	D3/218
D525,026 S *	7/2006	Silvera	D3/218
D525,419 S	7/2006	Seamans		
7,146,751 B2	12/2006	Seamans		
D535,088 S	1/2007	Seamans		
D543,341 S	5/2007	Seamans		
D543,681 S	6/2007	McCarthy		
D549,957 S *	9/2007	Eisenbraun	D3/218
D564,205 S	3/2008	Seamans		
D564,206 S	3/2008	Seamans		
D564,207 S	3/2008	Seamans		
D564,208 S	3/2008	Seamans		
D564,749 S	3/2008	Seamans		
D575,499 S	8/2008	Seamans		
D584,037 S	1/2009	del Biondi et al.		
D588,346 S	3/2009	McCarthy		

DESCRIPTION

FIG. 1 is a left side view;
FIG. 2 is a right side view;
FIG. 3 is a front view;
FIG. 4 is a rear view;
FIG. 5 is a top view;
FIG. 6 is a bottom view;
FIG. 7 is a front perspective view; and,
FIG. 8 is a rear perspective view.

The broken line showing of environment in the drawings is for illustrative purposes only and forms no part of the claimed design.

1 Claim, 8 Drawing Sheets



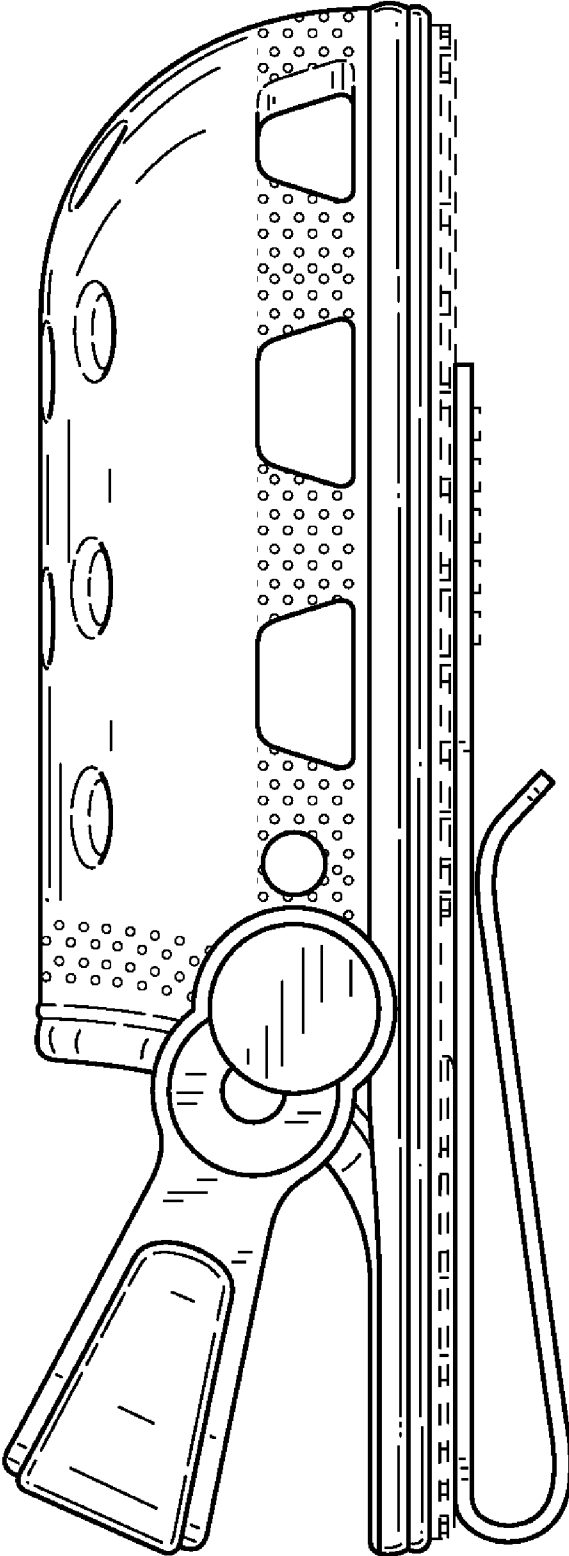


FIG.1

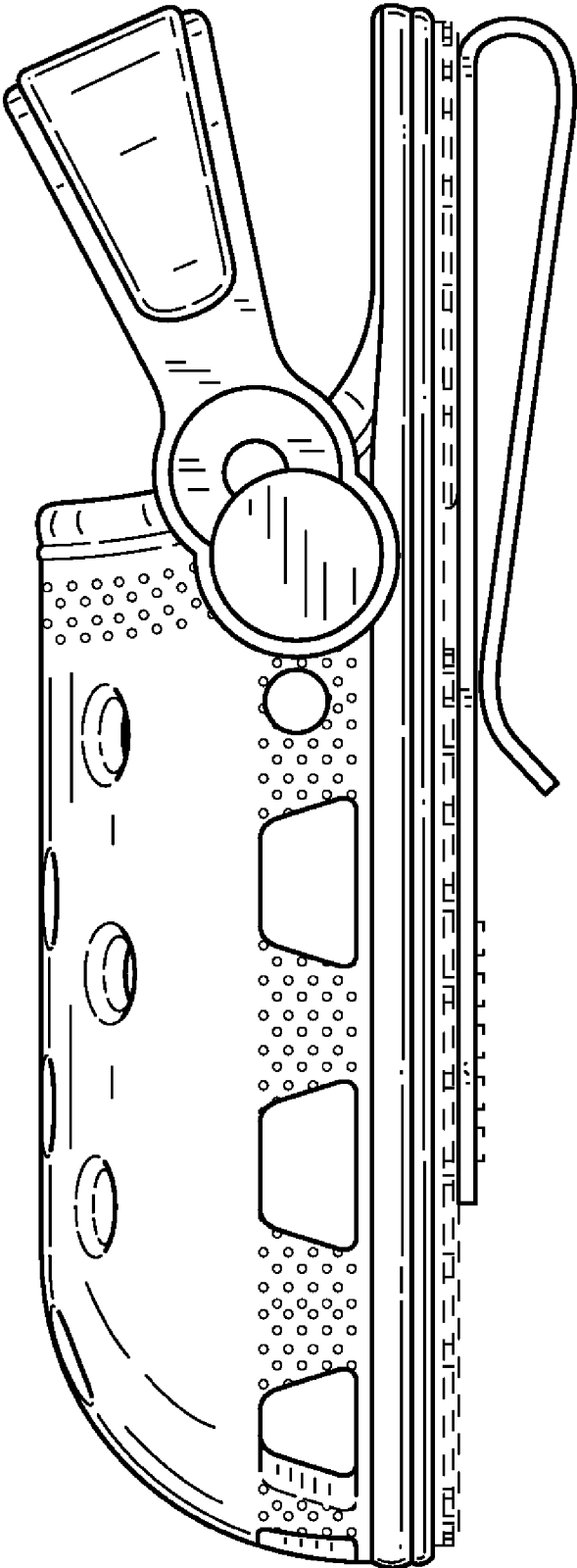


FIG.2

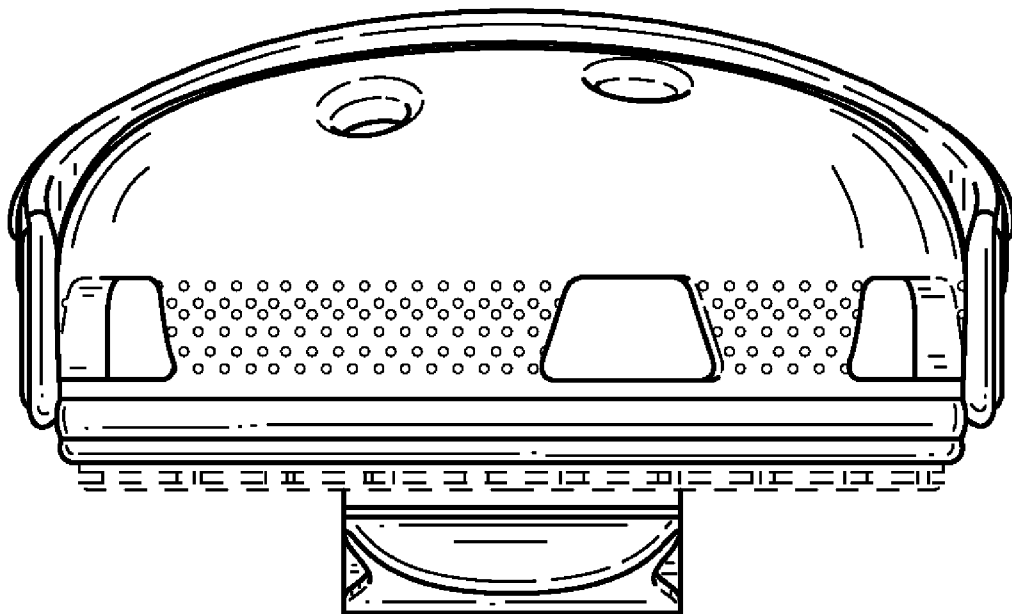


FIG.3

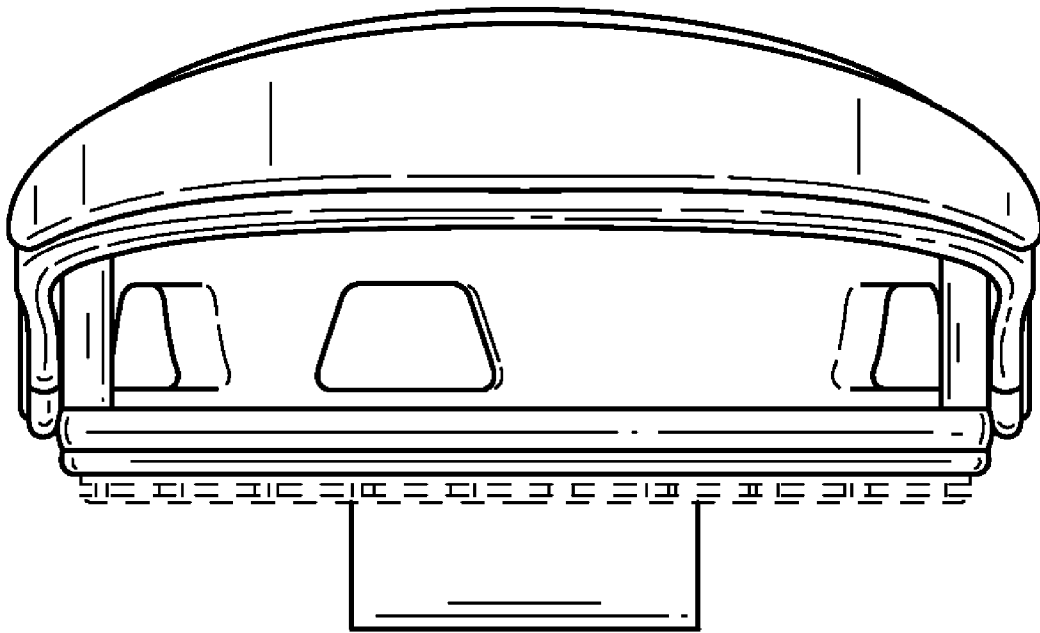


FIG.4

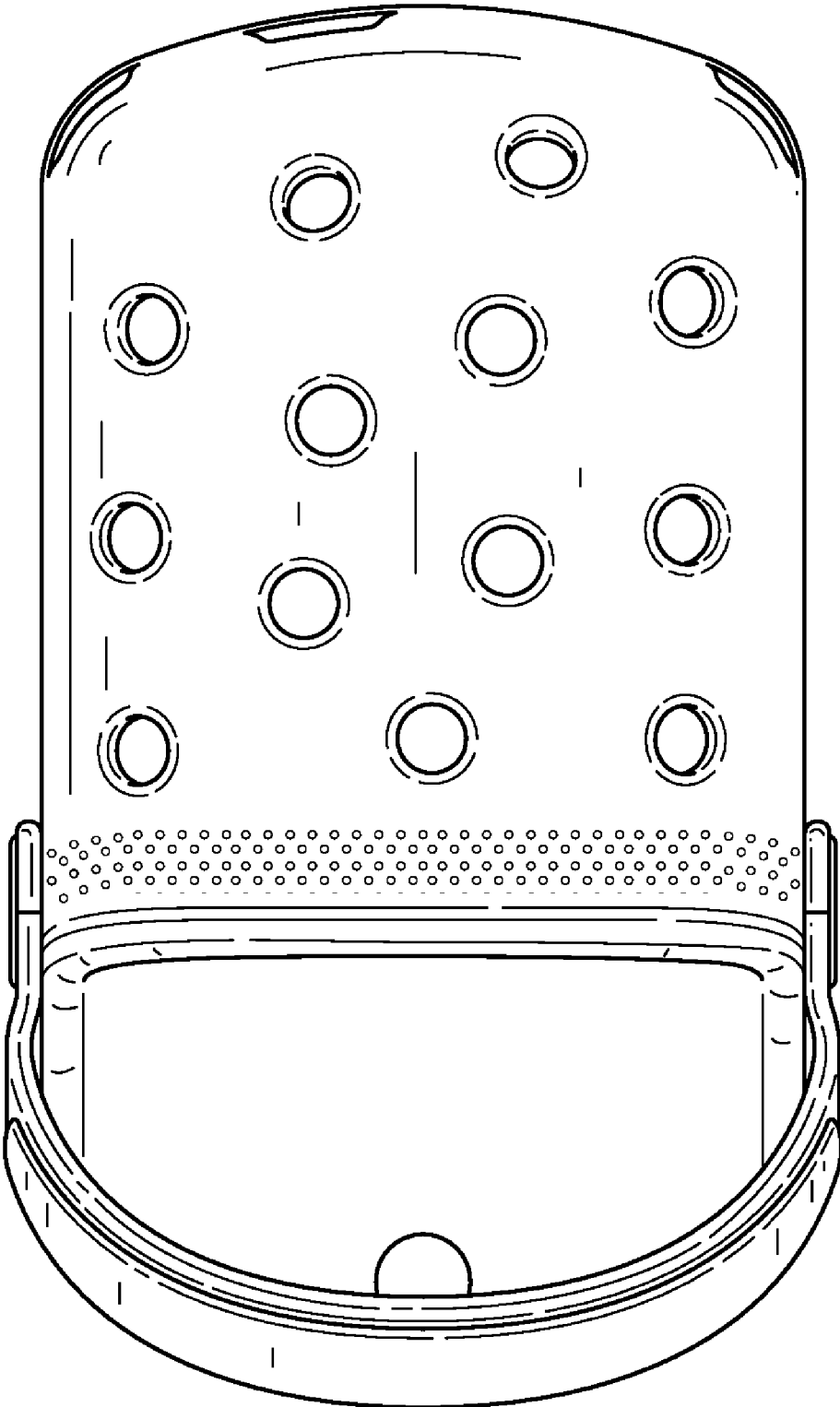


FIG.5

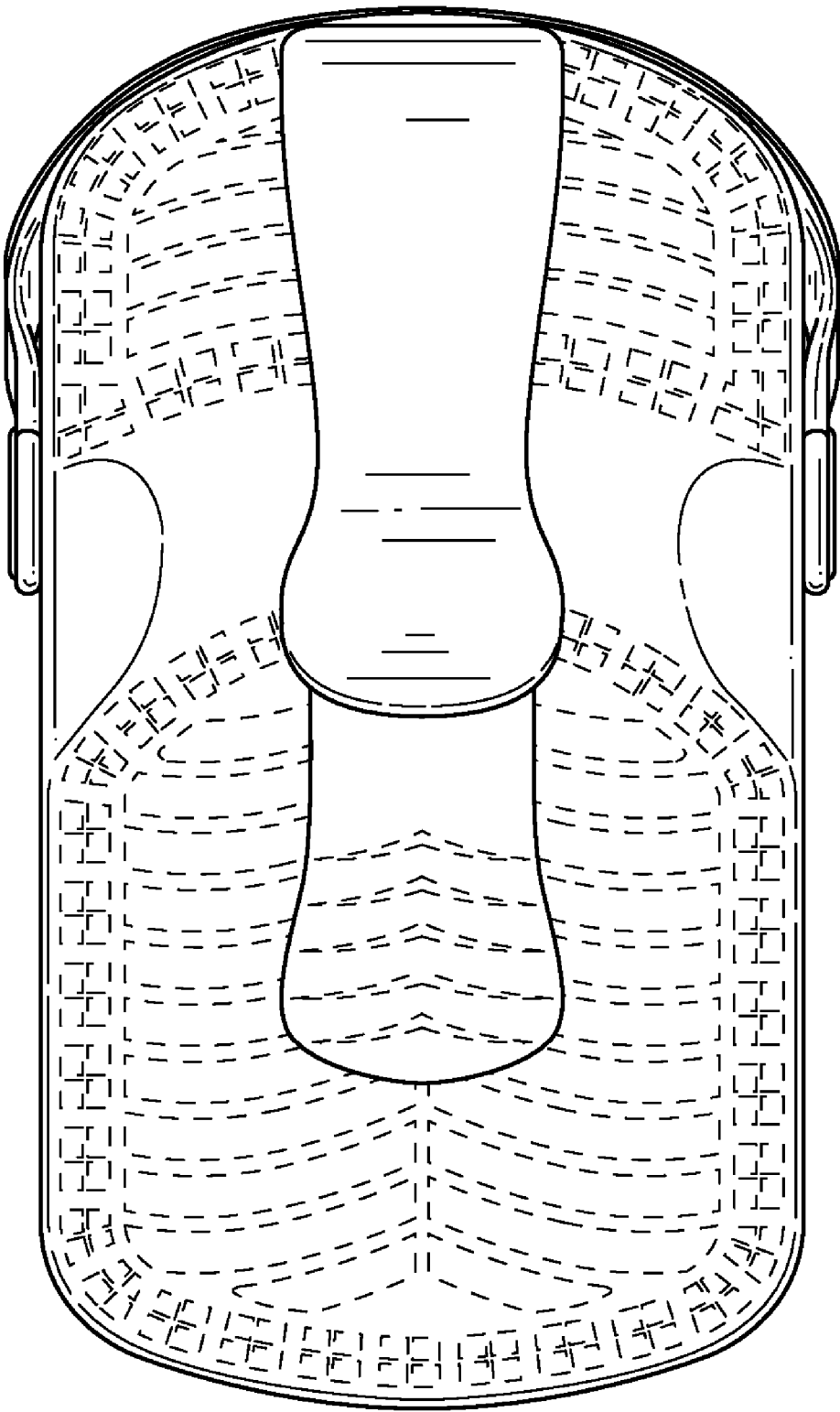


FIG.6

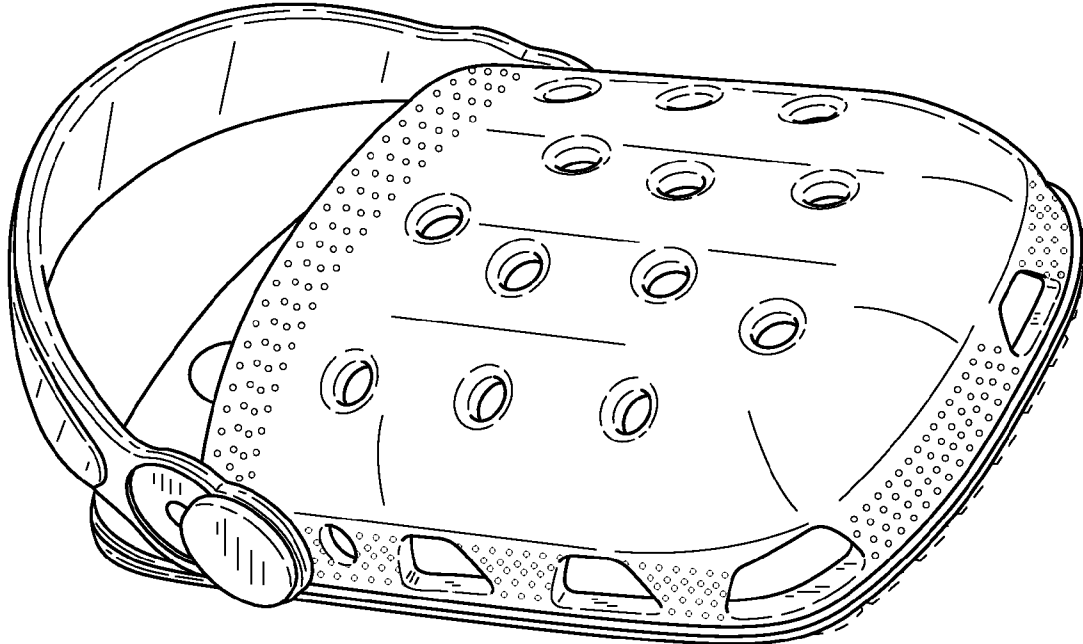


FIG.7

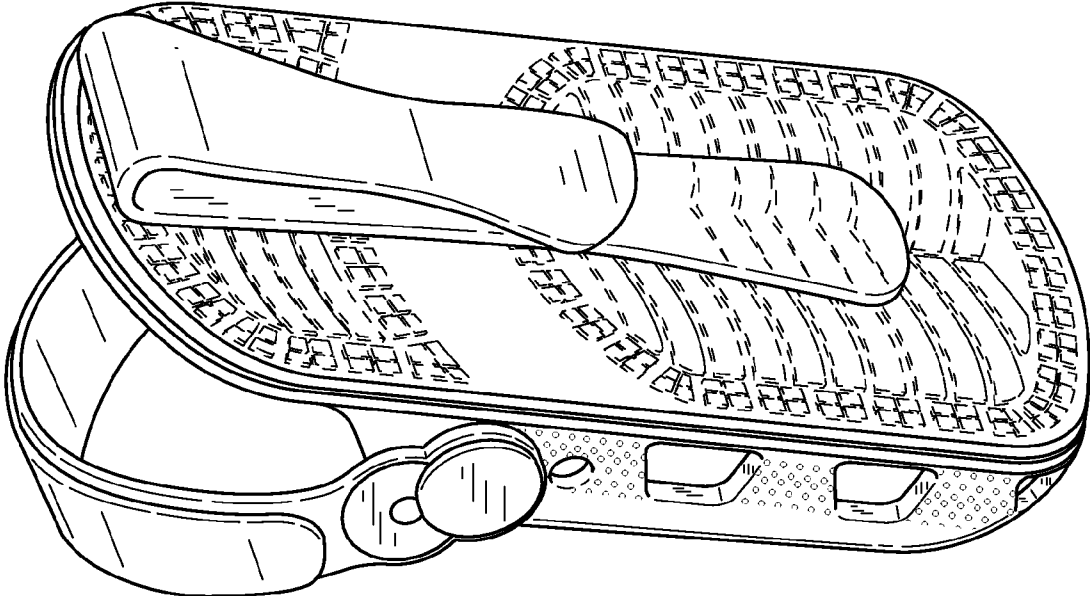


FIG.8