

(12) **United States Design Patent** (10) **Patent No.:** **US D871,248 S**  
**Boccanfuso** (45) **Date of Patent:** **\*\* Dec. 31, 2019**

(54) **DECORATIVE CHARM**  
 (71) Applicant: **Ronald Boccanfuso**, Coventry, RI (US)  
 (72) Inventor: **Ronald Boccanfuso**, Coventry, RI (US)  
 (73) Assignee: **Ouellette Industries**, Attleboro Falls, MA (US)  
 (\*\*) Term: **15 Years**

(21) Appl. No.: **29/610,955**  
 (22) Filed: **Jul. 18, 2017**  
 (51) **LOC (12) Cl.** ..... **11-01**  
 (52) **U.S. Cl.**  
 USPC ..... **D11/79; D11/2**  
 (58) **Field of Classification Search**  
 USPC ..... D11/1-7, 16, 40-45, 47-50, 52-54,  
 D11/56-58, 61, 63, 75-86; D3/207-211  
 CPC ..... A44C 1/00; A44C 5/00; A44C 5/0007;  
 A44C 5/02; A44C 7/00; A44C 7/002;  
 A44C 7/003; A44C 7/004; A44C 7/005;  
 A44C 7/006; A44C 7/007; A44C 7/008;  
 A44C 7/009; A44C 15/00; A44C 25/00;  
 A44C 25/001; A44C 25/002; A44C  
 25/007  
 See application file for complete search history.

(56) **References Cited**  
 U.S. PATENT DOCUMENTS

D11,441 S *	9/1879	Fairchild	.....	D11/82
D160,974 S *	11/1950	Schrayssshuen	.....	D11/79
3,533,883 A *	10/1970	Rowley	.....	B29C 37/0025 156/188
D250,939 S *	1/1979	Barr	.....	D11/79
D266,747 S *	11/1982	Gilford	.....	D11/2
4,497,186 A *	2/1985	Mason	.....	A44C 7/00 D11/78
D281,369 S *	11/1985	Harris	.....	D99/34
D304,433 S *	11/1989	McConnell, Jr.	.....	D11/78
D308,951 S *	7/1990	Rinck	.....	D11/79
D367,625 S *	3/1996	Goldman	.....	D11/65

D386,401 S \* 11/1997 Prestia ..... D9/552  
 D386,441 S \* 11/1997 Morrison ..... D11/79  
 D409,482 S \* 5/1999 Jacobs ..... D9/601  
 D505,640 S \* 5/2005 Star ..... D11/131  
 D516,454 S \* 3/2006 Gimpel ..... D11/79  
 D530,210 S \* 10/2006 Chisholm ..... D9/538  
 (Continued)

**OTHER PUBLICATIONS**

Amazon.com "EternityMemory: Clear Glass Tube Cremation Urn Jewelry Ashes Holder Necklace Keepsake Memorial Pendant Including Box/Fill Kits" (online) first available Nov. 13, 2017. Retrieved from Internet Jun. 9, 2019, URL:https://www.amazon.com/Cremation-Necklace-Keepsake-Memorial-Including/dp/B07J9HNGXT (6 pages).\*

*Primary Examiner* — Michael A. Pratt  
*Assistant Examiner* — Wendy L Arminio  
 (74) *Attorney, Agent, or Firm* — Salter & Michaelson

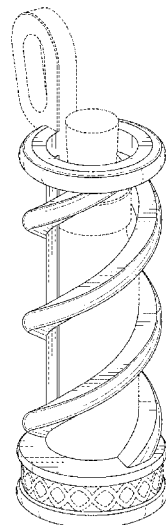
(57) **CLAIM**

The ornamental design for a decorative charm, as shown and described.

**DESCRIPTION**

FIG. 1 is a perspective view of a decorative charm shown in a position of use with an unclaimed container drawn in broken lines inserted into the decorative charm; FIG. 2 is a perspective view thereof shown with the unclaimed container removed; FIG. 3 is a rear elevational view thereof; FIG. 4 is a front elevational view thereof; FIG. 5 is a left side elevational view thereof; FIG. 6 is a right side elevational view thereof; FIG. 7 is a top plan view thereof; and, FIG. 8 is a bottom plan view thereof. The broken lines illustrating a container in FIG. 1 depict environmental structure and form no part of the claimed design. All other broken lines depict portions of the decorative charm that form no part of the claimed design.

**1 Claim, 7 Drawing Sheets**



(56)

**References Cited**

U.S. PATENT DOCUMENTS

D629,328	S	*	12/2010	Calandrino	.....	D11/43
D661,621	S	*	6/2012	Yang	.....	D11/221
D705,499	S	*	5/2014	Zamarripa	.....	D30/124
D761,150	S	*	7/2016	Penna	.....	D11/79

\* cited by examiner

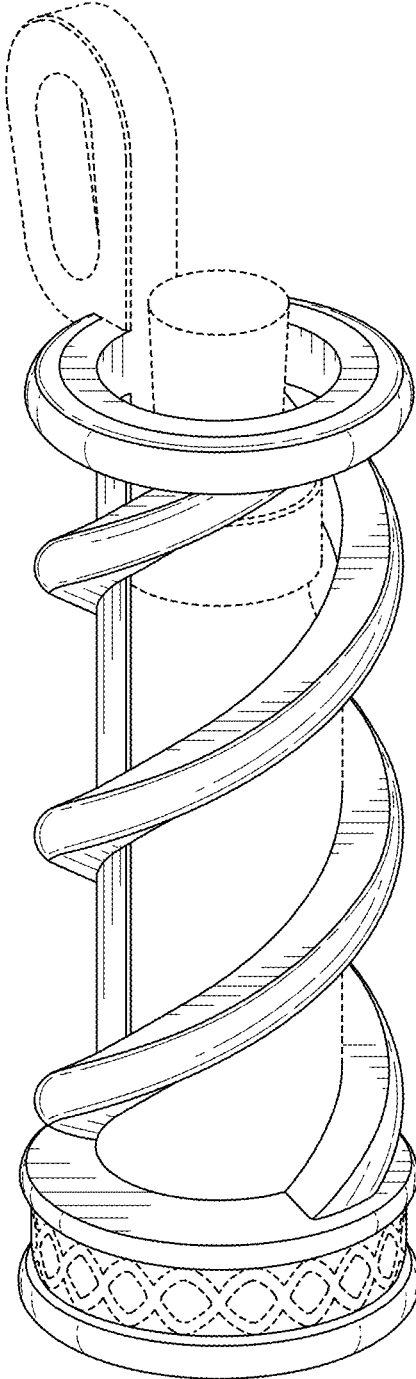


FIG. 1

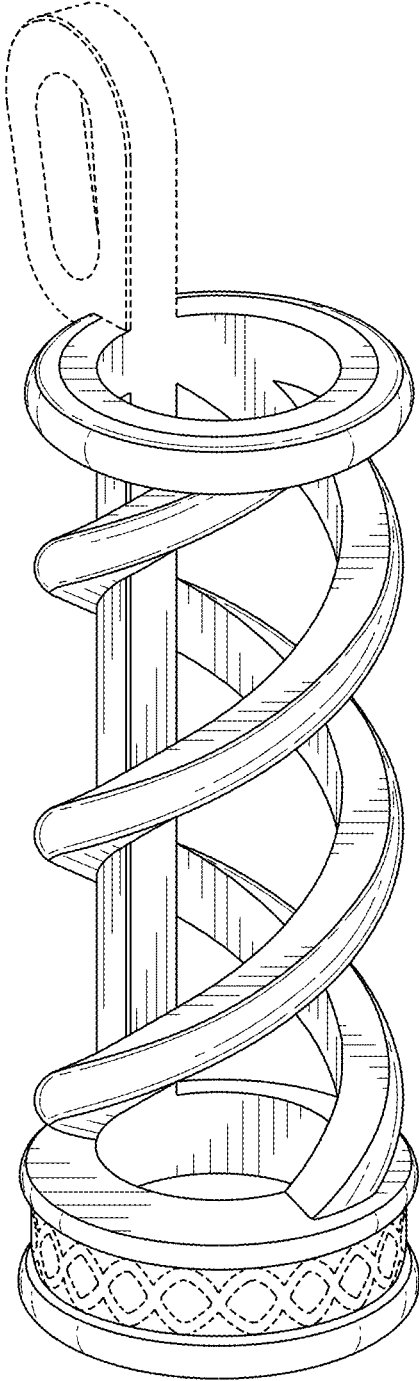


FIG. 2

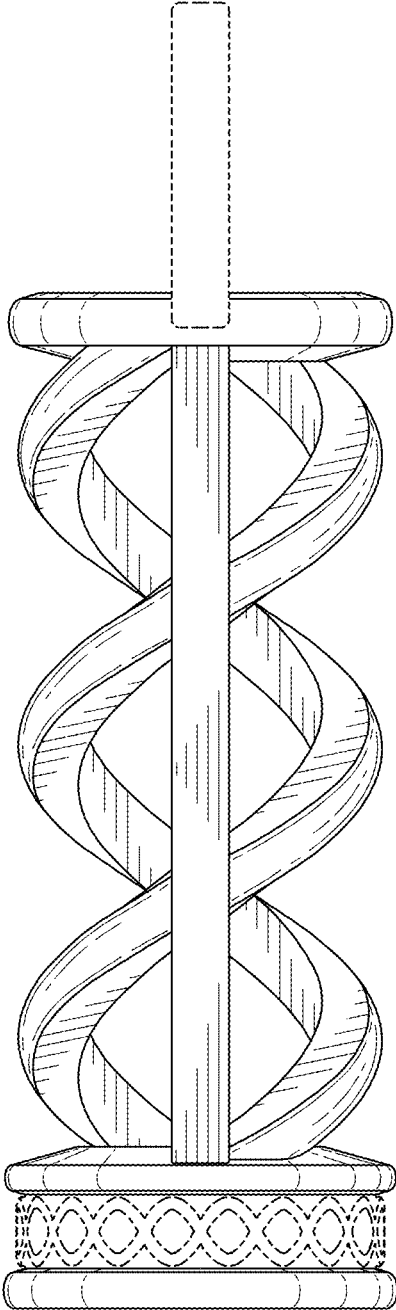


FIG. 3

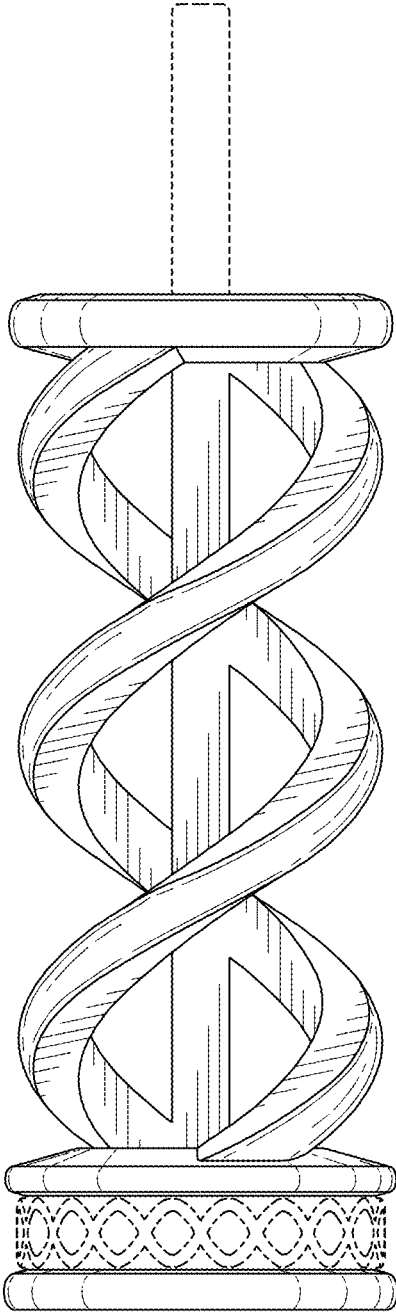


FIG. 4

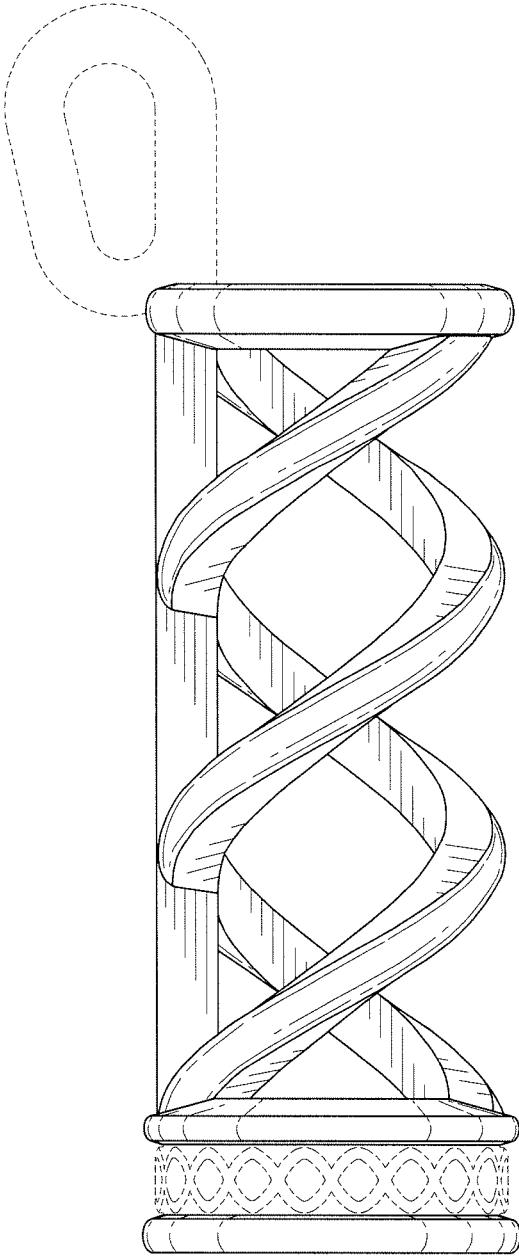


FIG. 5

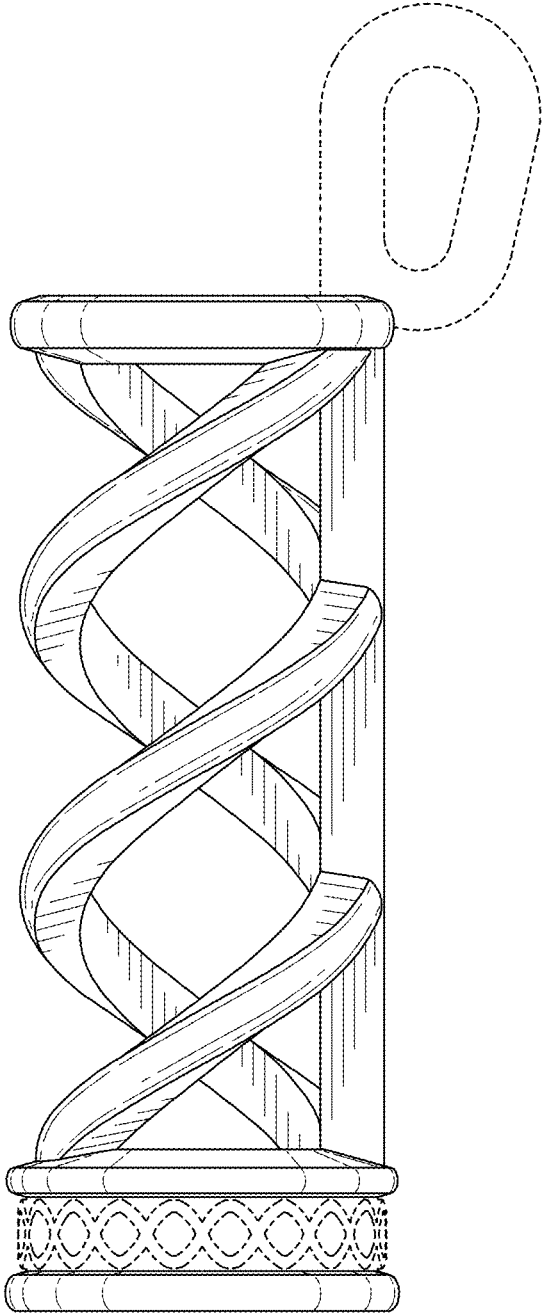


FIG. 6



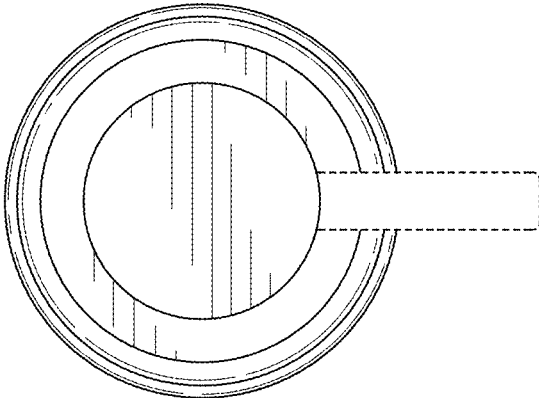


FIG. 7

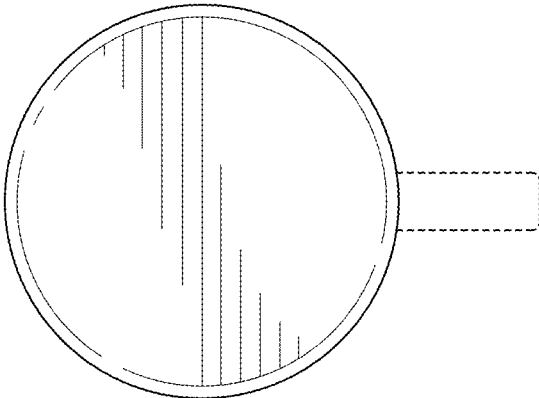


FIG. 8