



US00D372541S

United States Patent [19]

Goss, Jr.

[11] Patent Number: **Des. 372,541**

[45] Date of Patent: ****Aug. 6, 1996**

[54] **WINDOW COMPONENT EXTRUSION**

D. 338,538 8/1993 Cole D25/124
D. 342,327 12/1993 Cole D25/124

[75] Inventor: **Lorane C. Goss, Jr.**, Slippery Rock, Pa.

Primary Examiner—Doris Clark
Attorney, Agent, or Firm—Seed and Berry LLP

[73] Assignee: **Mikron Industries**, Kent, Wash.

[**] Term: **14 Years**

[57] CLAIM

[21] Appl. No.: **39,607**

The ornamental design for a window component extrusion, as shown and described.

[22] Filed: **May 31, 1995**

[52] U.S. Cl. **D25/124**

[58] **Field of Search** D25/52, 60, 124;
49/DIG. 2, 504-505; 52/204.5, 204.56,
204.51, 204.1, 730.3

DESCRIPTION

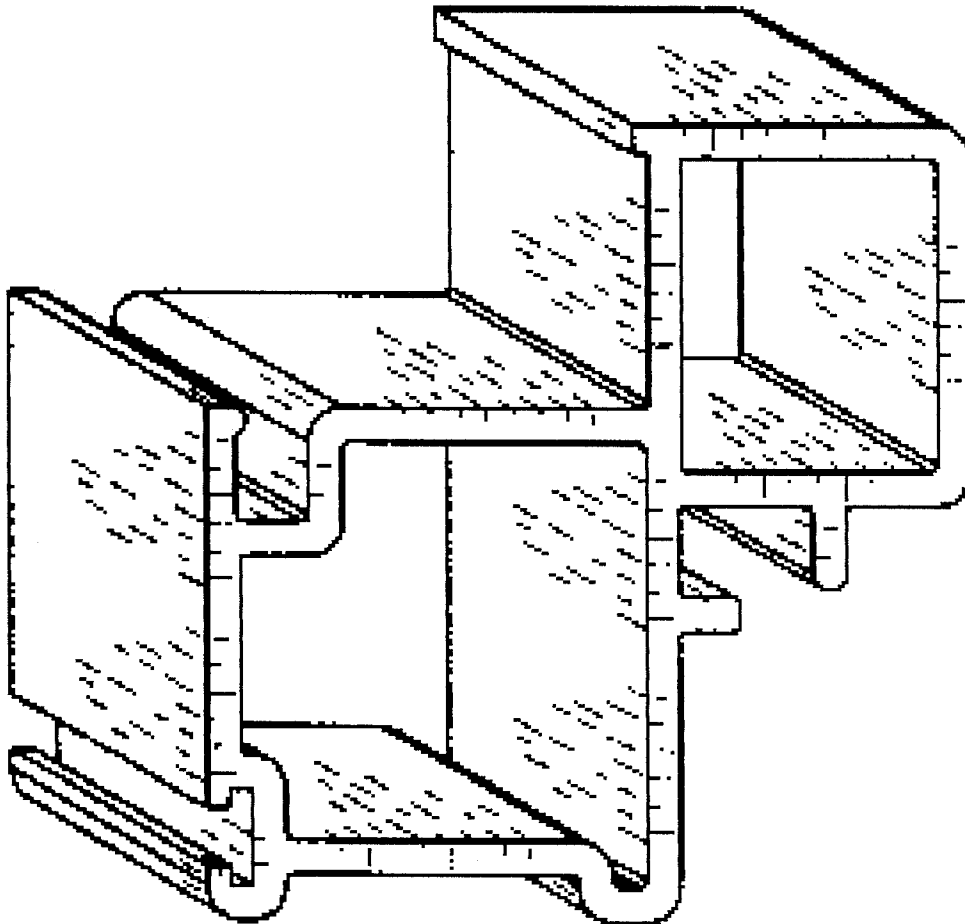
FIG. 1 is a top right perspective view of a window component extrusion showing my new design, the window component extrusion being of indefinite length; and, FIG. 2 is a bottom left perspective view thereof.

[56] References Cited

U.S. PATENT DOCUMENTS

D. 335,358 5/1993 Cole D25/124

1 Claim, 1 Drawing Sheet



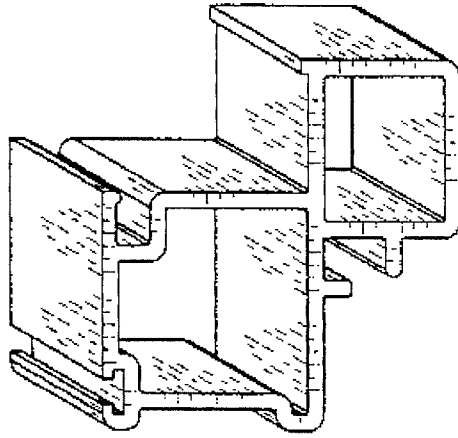


FIG. 1

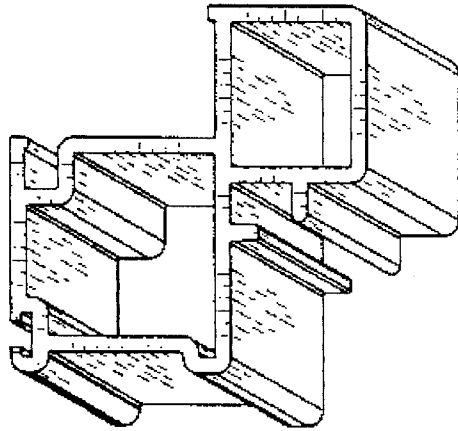


FIG. 2