



US00D463561S

(12) **United States Design Patent**
Fukatsu et al.

(10) **Patent No.:** **US D463,561 S**

(45) **Date of Patent:** **** Sep. 24, 2002**

(54) **PULSE OXIMETER**

(75) Inventors: **Motonori Fukatsu, Yokohama (JP);
Akihiko Yanaga, Fujino (JP)**

(73) Assignees: **Unitek Electronics Inc., Tokyo (JP);
Advanced Medical Inc., Kanagawa
(JP); MC Medical, Inc., Tokyo (JP)**

(**) Term: **14 Years**

(21) Appl. No.: **29/152,756**

(22) Filed: **Jan. 2, 2002**

(30) **Foreign Application Priority Data**

Jul. 3, 2001 (JP) 2001-023079

(51) **LOC (7) Cl.** **24-01**

(52) **U.S. Cl.** **D24/165**

(58) **Field of Search** D24/165; 600/485,
600/490, 494, 495, 492, 499, 502, 503

(56) **References Cited**

U.S. PATENT DOCUMENTS

5,509,423 A * 4/1996 Bryars 128/690
D373,419 S * 9/1996 Muramatsu et al. D24/165
5,617,867 A * 4/1997 Butterfield et al. 128/672

5,640,964 A * 6/1997 Archibald et al. 128/672
D398,999 S * 9/1998 Maeda et al. D24/165
D403,070 S * 12/1998 Maeda et al. D24/165
D407,492 S * 3/1999 Lubs et al. D24/165
D426,637 S * 6/2000 Ochi et al. D24/165
D443,362 S * 6/2001 Storp D24/165

* cited by examiner

Primary Examiner—Stella Reid

(74) *Attorney, Agent, or Firm*—Wenderoth, Lind & Ponack,
L.L.P.

(57) **CLAIM**

The ornamental design for a pulse oximeter, as shown and described.

DESCRIPTION

FIG. 1 is a top, front and left side perspective view of a pulse oximeter showing our new design;
FIG. 2 is a front elevational view thereof;
FIG. 3 is a rear elevational view thereof;
FIG. 4 is a right side elevational view thereof;
FIG. 5 is a left side elevational view thereof;
FIG. 6 is a top plan view thereof; and,
FIG. 7 is a bottom plan view thereof.

1 Claim, 4 Drawing Sheets

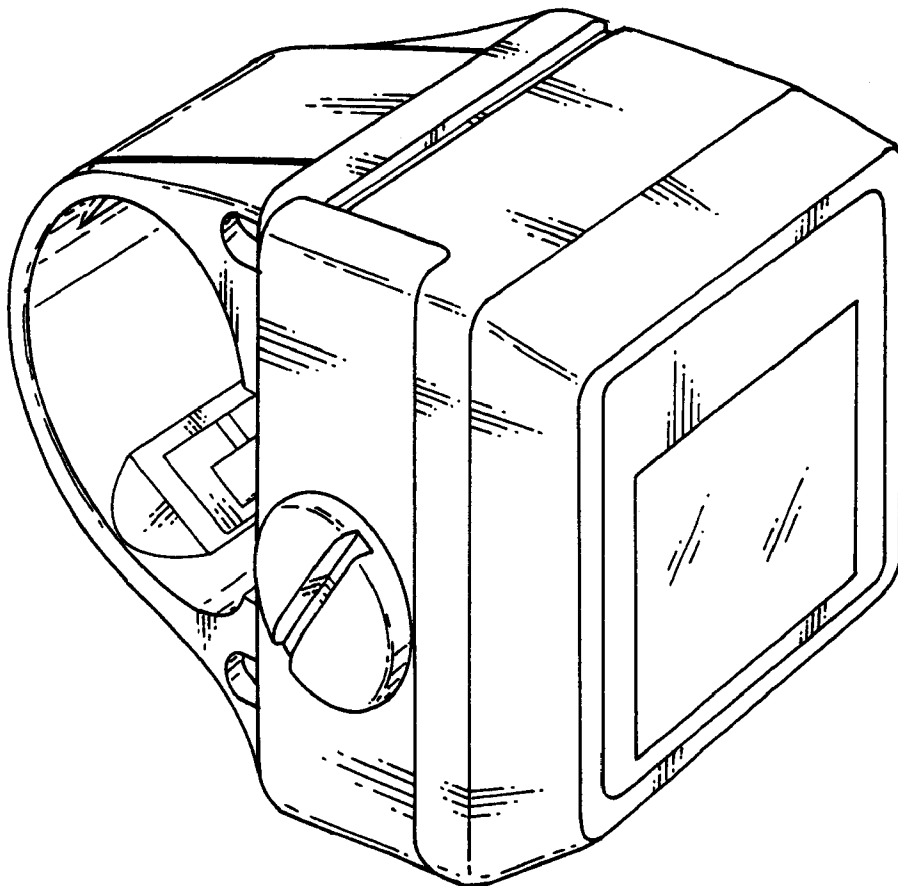


FIG. 1

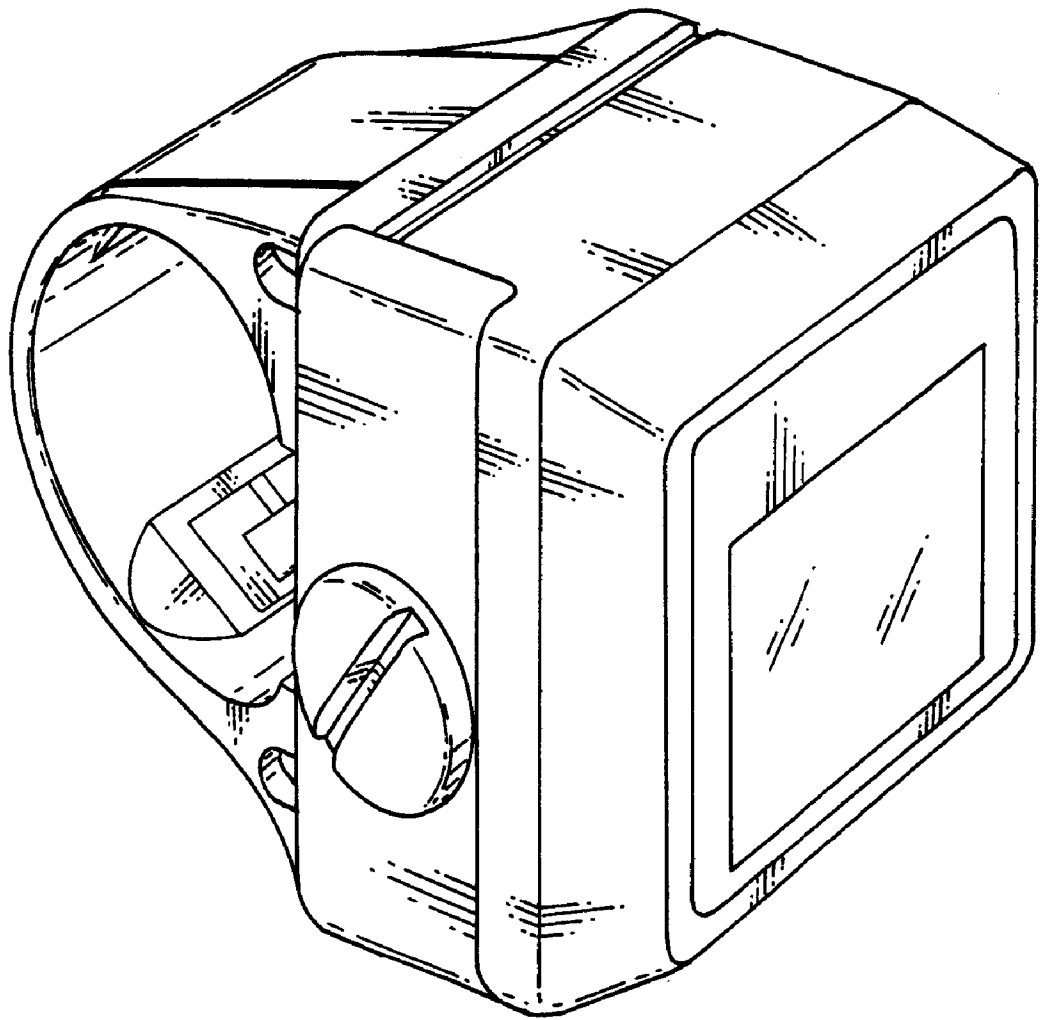


FIG. 2

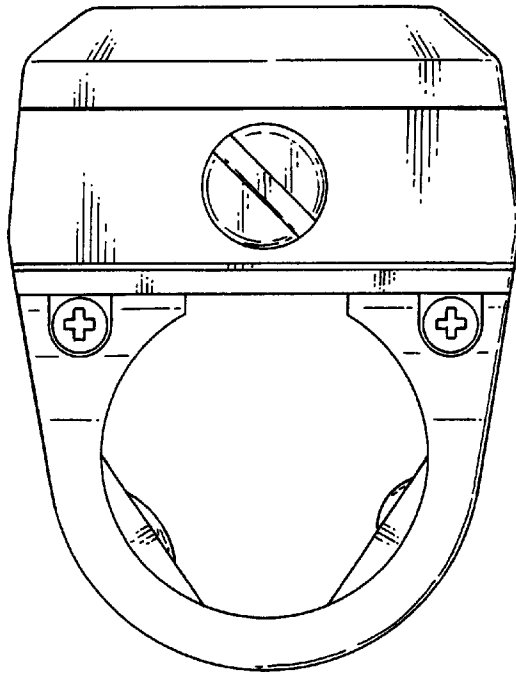


FIG. 3

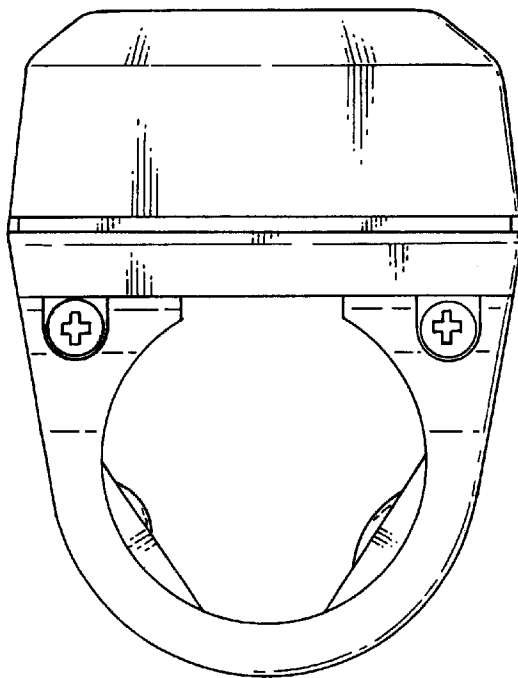


FIG. 4

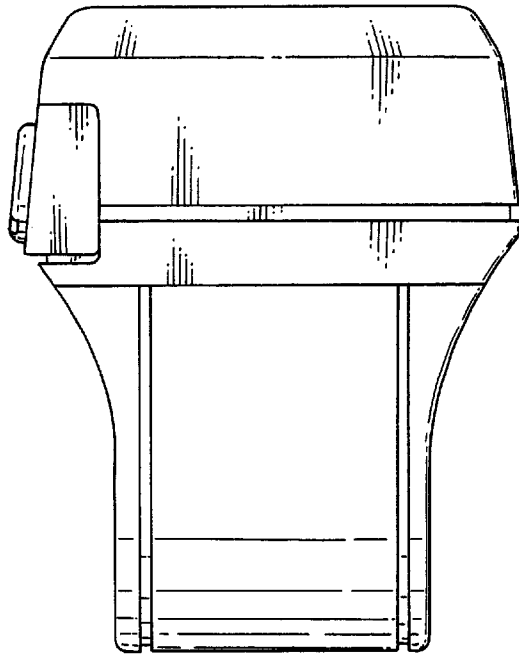


FIG. 5

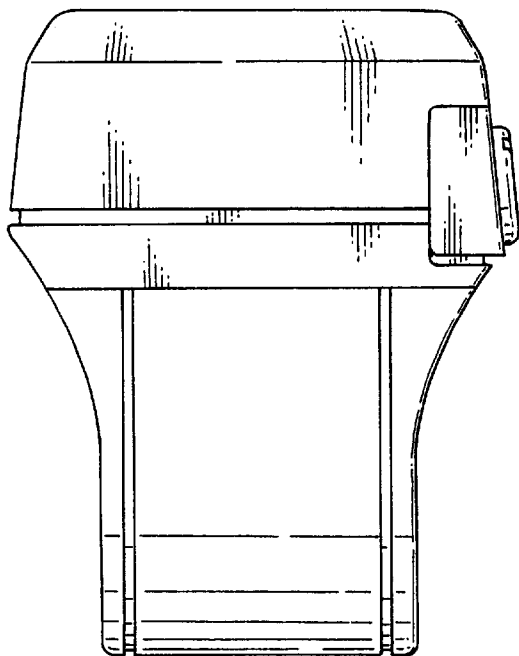


FIG.6

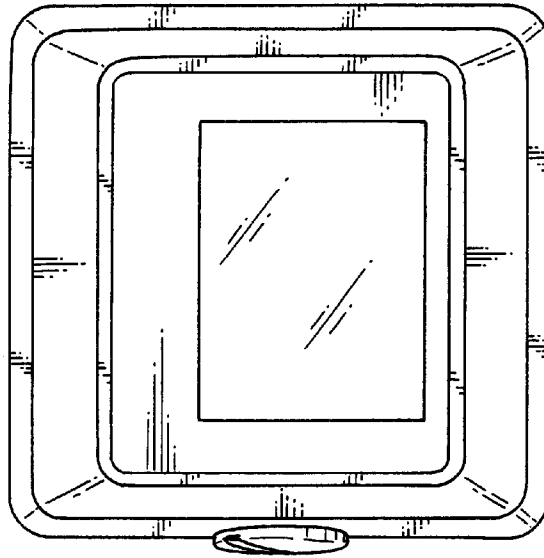


FIG.7

