



US00D430542S

United States Patent [19]

[11] Patent Number: **Des. 430,542**

Hoferitza et al.

[45] Date of Patent: **** Sep. 5, 2000**

[54] **OVERMOLD FOR AN ELECTRICAL CONNECTOR**

5,178,556	1/1993	Chen	439/357
5,197,901	3/1993	Hashiguchi	439/357 X
5,611,708	3/1997	Mizunuma et al.	439/358
5,716,228	2/1998	Chen	439/358

[75] Inventors: **Mark A. Hoferitza**, Syracuse; **Kevin J. Colohan**, West Point; **Kevin G. Dabb**, Kaysville; **William P. Baker**, Salt Lake City; **Monte J. Larsen**, West Point, all of Utah

Primary Examiner—Joel Sincavage
Attorney, Agent, or Firm—Woodcock Washburn Kurtz Mackiewicz & Norris LLP

[73] Assignee: **Iomega Corporation**, Roy, Utah

[57] CLAIM

[**] Term: **14 Years**

The ornamental design for an overmold for an electrical connector, as shown and described.

[21] Appl. No.: **29/110,108**

DESCRIPTION

[22] Filed: **Aug. 31, 1999**

FIG. 1 is a front perspective view of an overmold for an electrical connector according to a preferred embodiment of the design;

[51] **LOC (7) Cl.** **13-03**

[52] **U.S. Cl.** **D13/154; D13/147**

FIG. 2 is a top view of the design that is depicted in FIG. 1; FIG. 3 is a bottom view of the embodiment of the design that is depicted in FIG. 1 and 2;

[58] **Field of Search** D13/146, 147, D13/154; 439/76.1, 350, 357, 358, 491, 607, 610

FIG. 4 is a front view of the embodiment of the design that is depicted in FIG. 1 through 3;

[56] References Cited

U.S. PATENT DOCUMENTS

D. 319,431	8/1991	Constien	D13/184
D. 332,602	1/1993	Kikuta et al.	D13/154
4,726,783	2/1988	Nakazawa et al.	439/350
4,822,303	4/1989	Nakamura et al.	439/607
4,838,810	6/1989	Yoshimura et al.	439/358
5,118,306	6/1992	Bixler et al.	439/358 X
5,171,167	12/1992	Kosmala	439/607

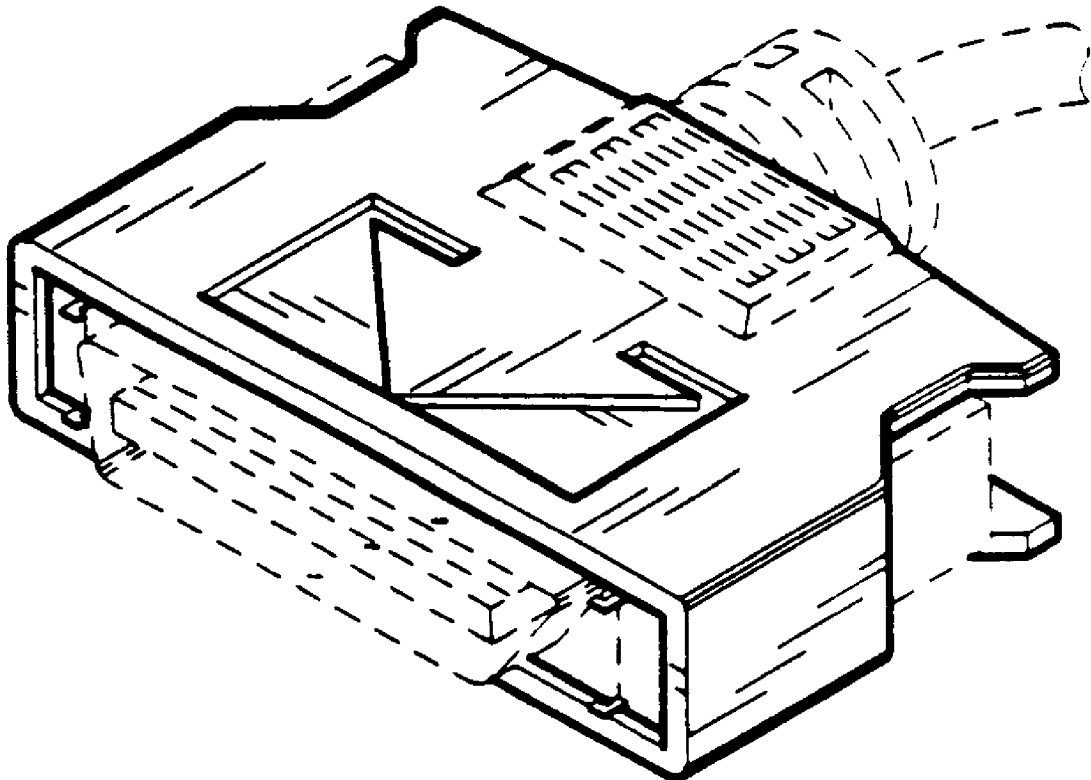
FIG. 5 is a rear view of the embodiment of the design that is depicted in FIG. 1 through 4;

FIG. 6 is a right side view of the embodiment of the design that is depicted in FIG. 1 through 5; and,

FIG. 7 is a left side view of the embodiment of the design that is depicted in FIG. 1 through 6.

The broken lines are shown in the views for illustrative purposes only and form no part of the claimed design.

1 Claim, 1 Drawing Sheet



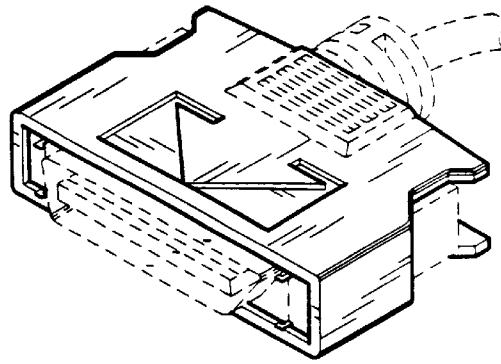


FIG. 1

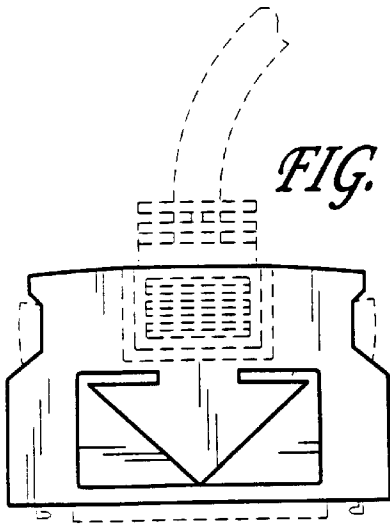


FIG. 2

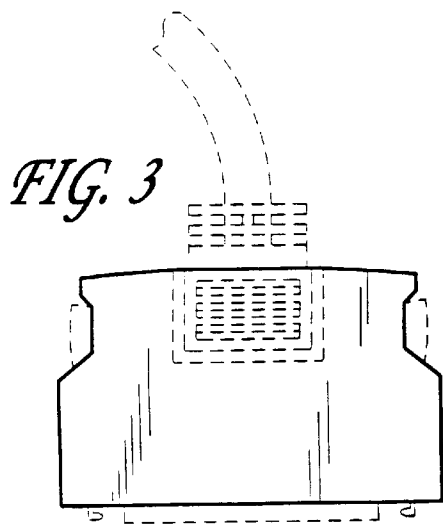


FIG. 3

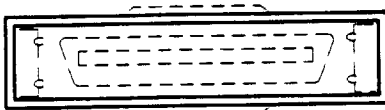


FIG. 4



FIG. 5

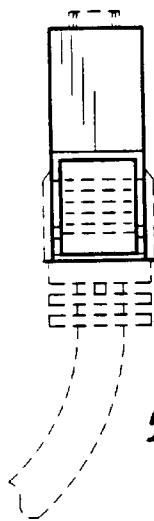


FIG. 6

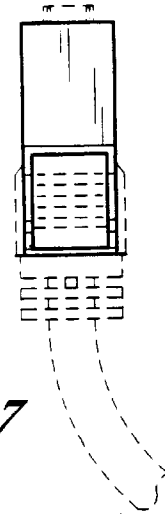


FIG. 7