



(12) **United States Design Patent**
Gao

(10) **Patent No.:** **US D1,040,100 S**
(45) **Date of Patent:** **** Aug. 27, 2024**

(54) **COMBINATION CHARGING CASE AND SMART RING**

(71) Applicant: **Shenzhen Yawell Intelligent Technology Co., Ltd.**, Shenzhen (CN)

(72) Inventor: **Jinfeng Gao**, Shenzhen (CN)

(73) Assignee: **Shenzhen Yawell Intelligent Technology Co., Ltd.**, Shenzhen (CN)

(**) Term: **15 Years**

(21) Appl. No.: **29/924,141**

(22) Filed: **Jan. 17, 2024**

(30) **Foreign Application Priority Data**

Jan. 9, 2024 (CN) 202430011712.8

(51) **LOC (14) Cl.** **13-02**

(52) **U.S. Cl.**
USPC **D13/108; D3/274**

(58) **Field of Classification Search**

USPC D13/103, 107, 108, 118, 119, 183, 184,
D13/199; D14/223, 251, 252; D3/201,
D3/215, 273, 274, 294, 295

CPC H02J 7/0044; H02J 7/0045; H04B 1/3877
See application file for complete search history.

(56) **References Cited**

U.S. PATENT DOCUMENTS

- 2,673,642 A * 3/1954 Smalley A47F 7/03
206/754
- D809,449 S 2/2018 Zhang
- D888,664 S * 6/2020 Ma D13/108
- D921,582 S * 6/2021 Liu D3/294
- D952,610 S * 5/2022 Deng D3/274
- D963,573 S * 9/2022 Klein D13/108
- D979,492 S * 2/2023 Hong D3/294
- D980,625 S * 3/2023 Koneru D14/223
- D986,166 S * 5/2023 Sasaki D13/108

(Continued)

FOREIGN PATENT DOCUMENTS

EM 015047968 * 1/2024

OTHER PUBLICATIONS

ComaComma Smart Ring. Found online Mar. 7, 2024 at amazon.com. Reference dated Nov. 6, 2023. Retrieved from <https://www.amazon.com/ComaComma-Pressure-Monitoring-Pedometer-Bluetooth/dp/B0CMQH8VCD?th=1> (Year: 2023).*

(Continued)

Primary Examiner — Shawn T Gingrich

Assistant Examiner — Amanda Christensen

(74) *Attorney, Agent, or Firm* — Nitin Kaushik

(57) **CLAIM**

The ornamental design for a combination charging case and smart ring, as shown and described.

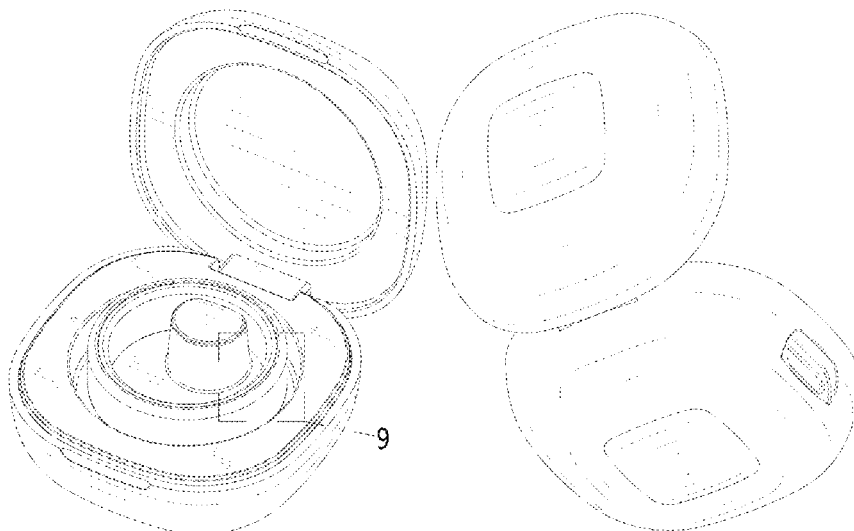
DESCRIPTION

FIG. 1 is a front perspective view of a combination charging case and smart ring, showing my new design; FIG. 2 is a rear perspective view thereof; FIG. 3 is a front view thereof; FIG. 4 is a rear view thereof; FIG. 5 is a left side view thereof; FIG. 6 is a right side view thereof; FIG. 7 is a top view thereof; FIG. 8 is a bottom view thereof; FIG. 9 is an enlarged detail view of area 9 in FIG. 1 thereof; and, FIG. 10 is an enlarged detail view of area 10 in FIG. 7.

The broken lines in the drawings illustrate the portions of the combination charging case and smart ring, which form no part of the claimed design.

The dash-dot-dash broken lines encircling the enlarged views are for annotative purposes only and form no part of the claim thereof.

1 Claim, 10 Drawing Sheets



(56)

References Cited

U.S. PATENT DOCUMENTS

D996,822 S * 8/2023 Schilling D3/903
D998,968 S * 9/2023 Smiechowski D3/274
D1,016,010 S * 2/2024 Wang D14/223
2022/0342457 A1 * 10/2022 Kwon A45C 13/00
2023/0253806 A1 * 8/2023 Frydendal H02J 7/0042
320/107

OTHER PUBLICATIONS

RingConn Smart Ring. Found online Mar. 7, 2024 at healthnews.com. Reference dated Jan. 23, 2024. Retrieved from <https://healthnews.com/longevity/biohacking/ringconn-smart-ring-review/>. (Year: 2024).*

Sorandy Smart Ring. Found online Jan. 24, 2024 at amazon.com. Reference dated Oct. 24, 2023. Retrieved from <https://www.amazon.com/Sorandy-Temperature-Monitoring-Recording-Charging/dp/B0CLNYWJWK?th=1>. (Year: 2023).*

WeiQiuOutdr Smart Ring. Found online Apr. 11, 2024 at amazon.com. Reference dated Aug. 14, 2023. Retrieved from <https://www.amazon.com/dp/B0CFPJYG92?tag=shoppinghub0b-20&linkCode=ogi&th=1&ascsubtag=9f771ab9f80211ee8263e3e63723b004&psc=1> (Year: 2023).*

* cited by examiner

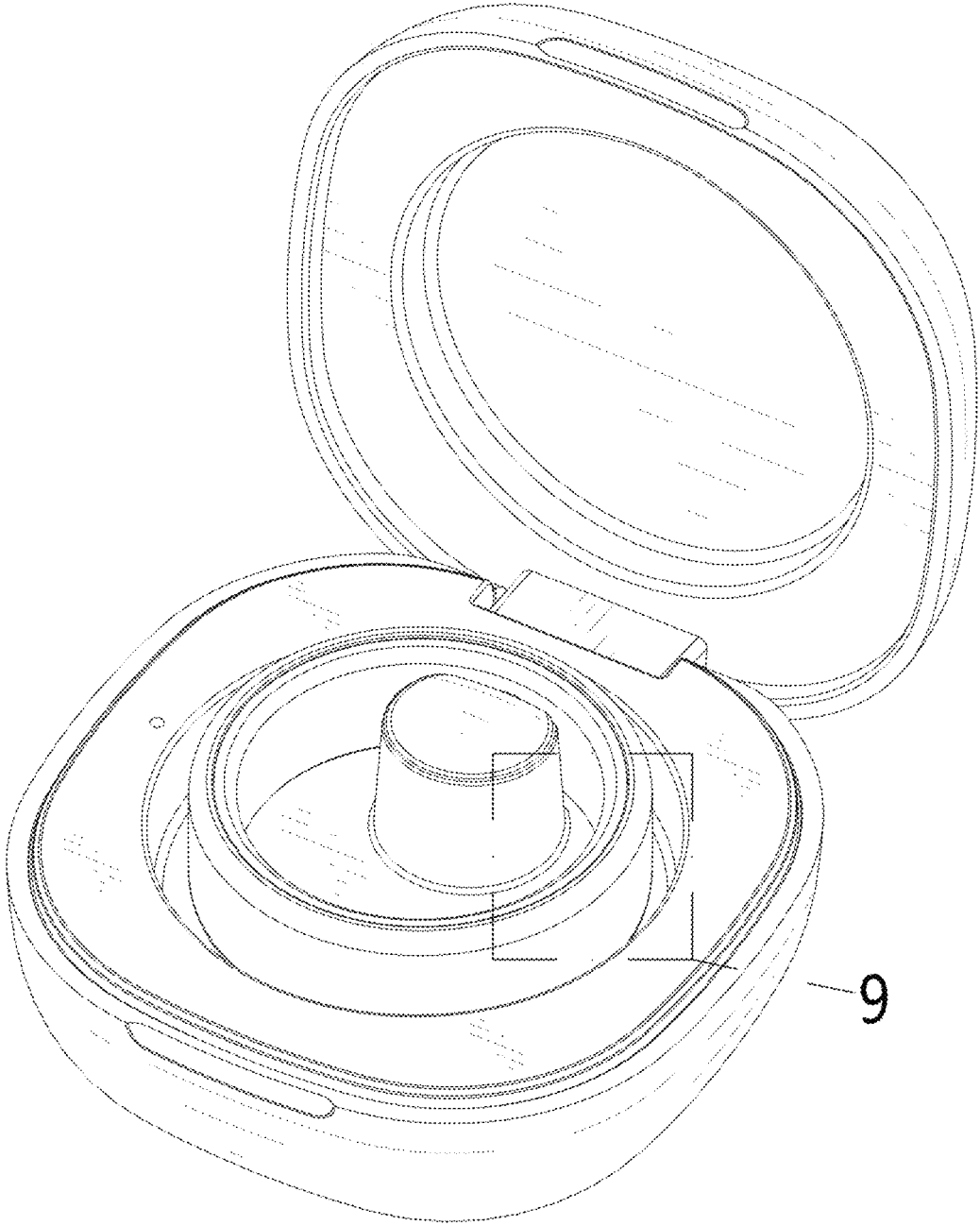


FIG. 1

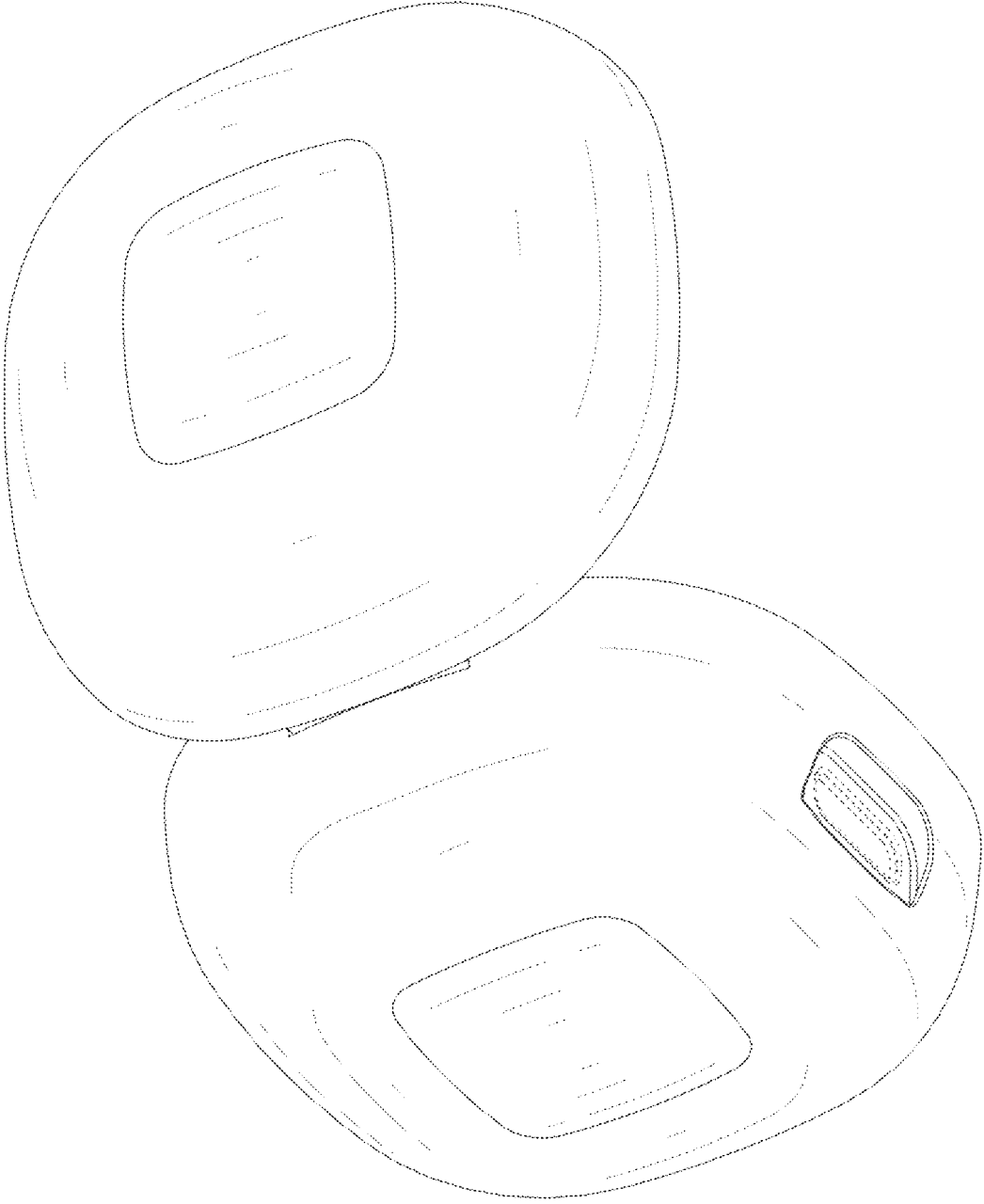


FIG. 2

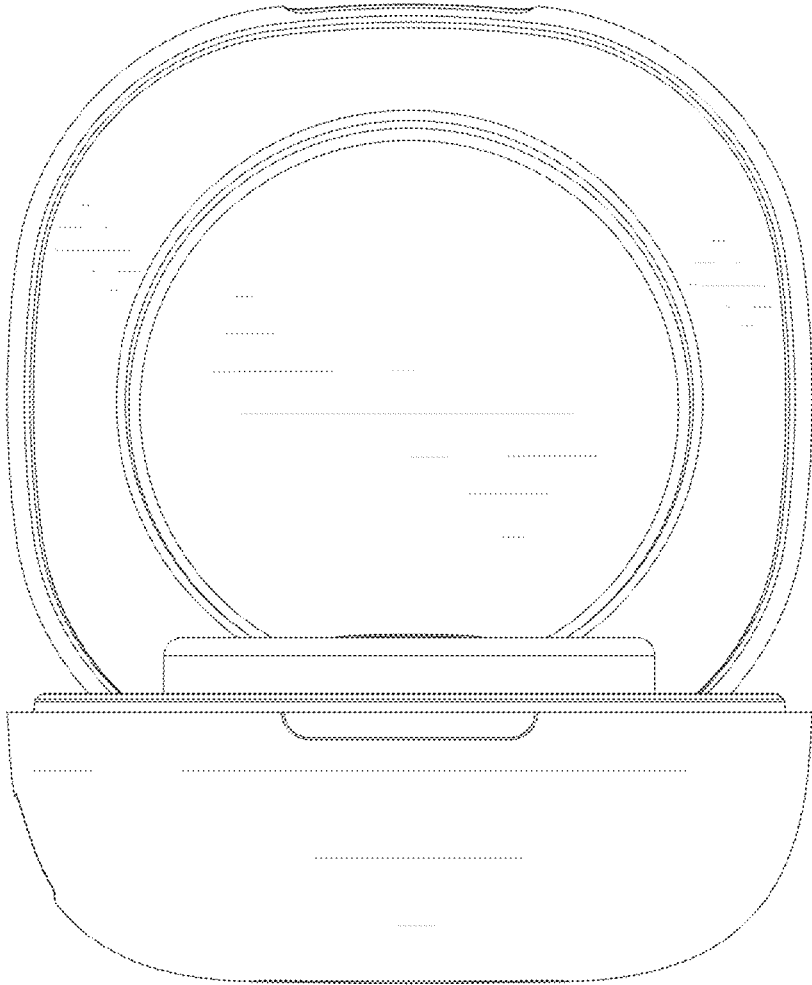


FIG. 3

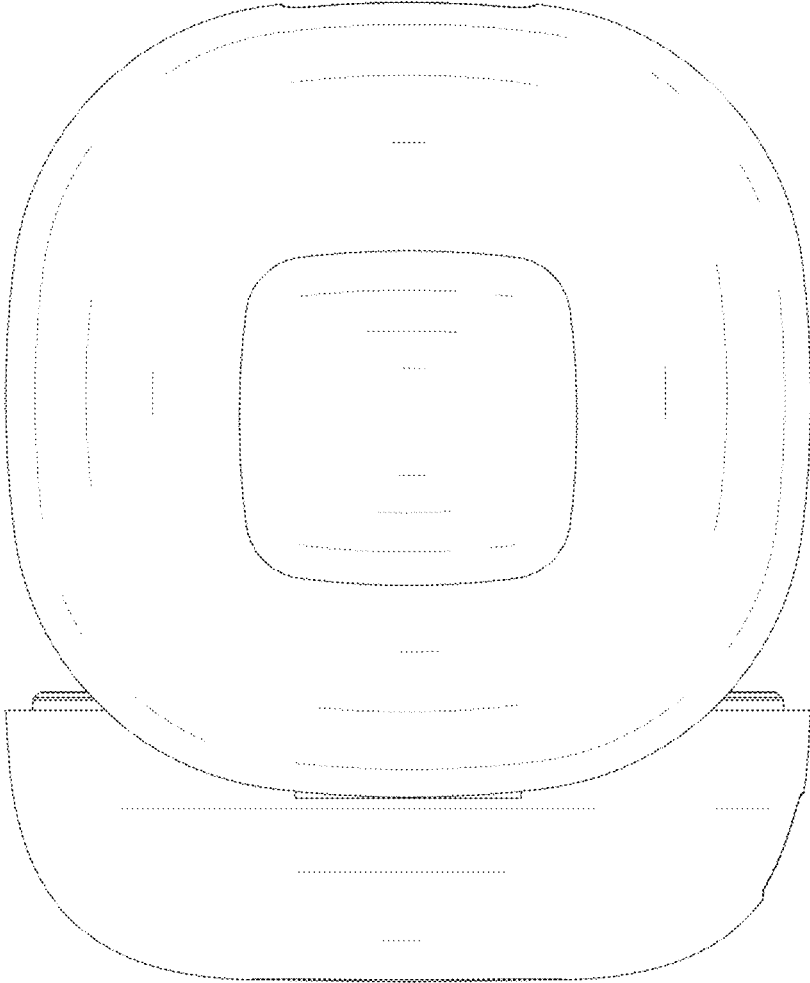


FIG. 4

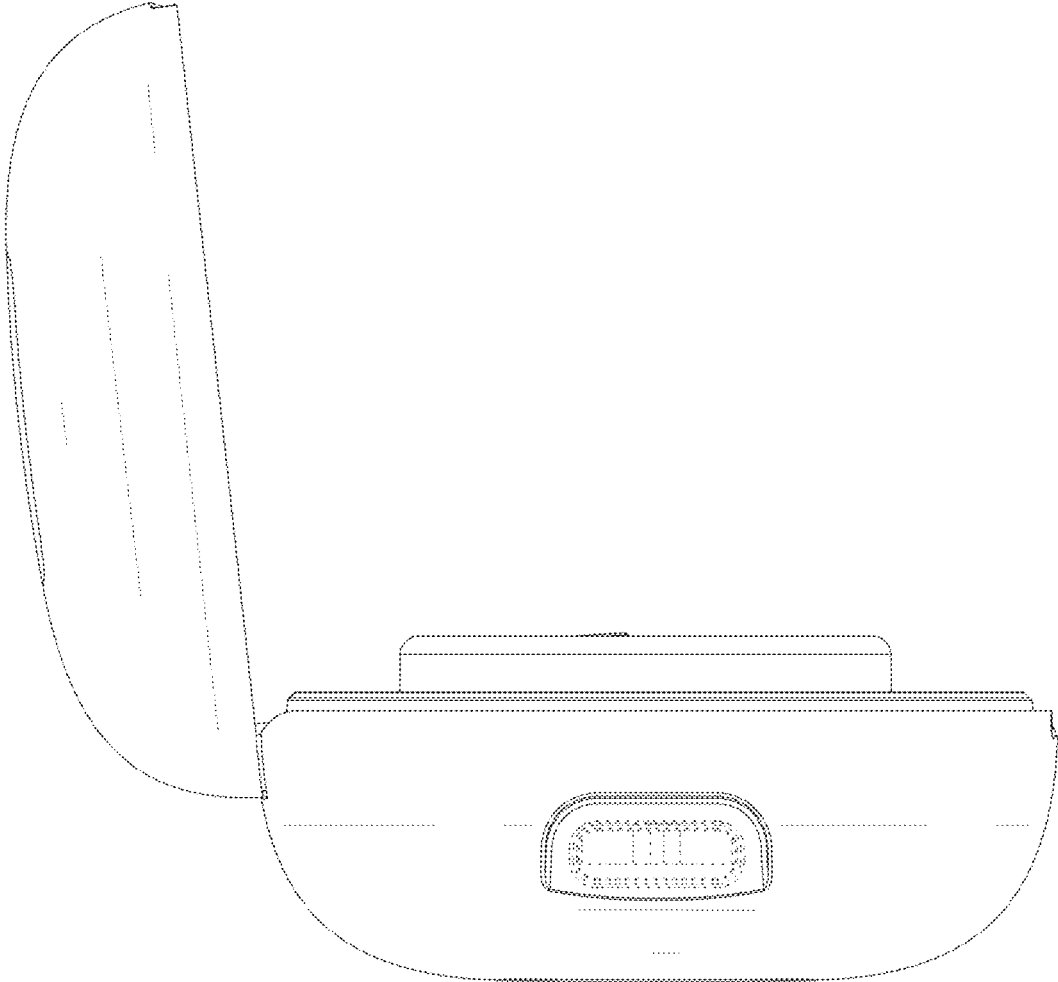


FIG. 5

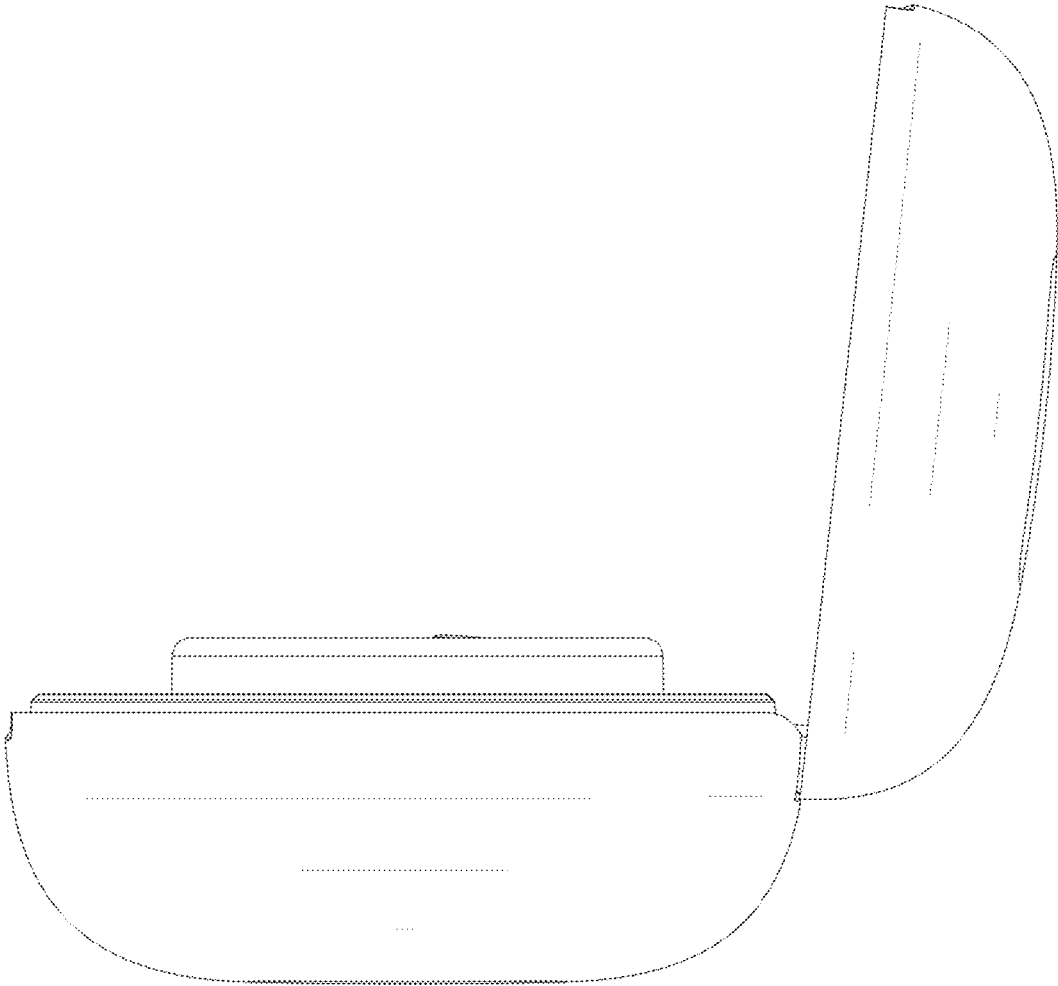


FIG. 6

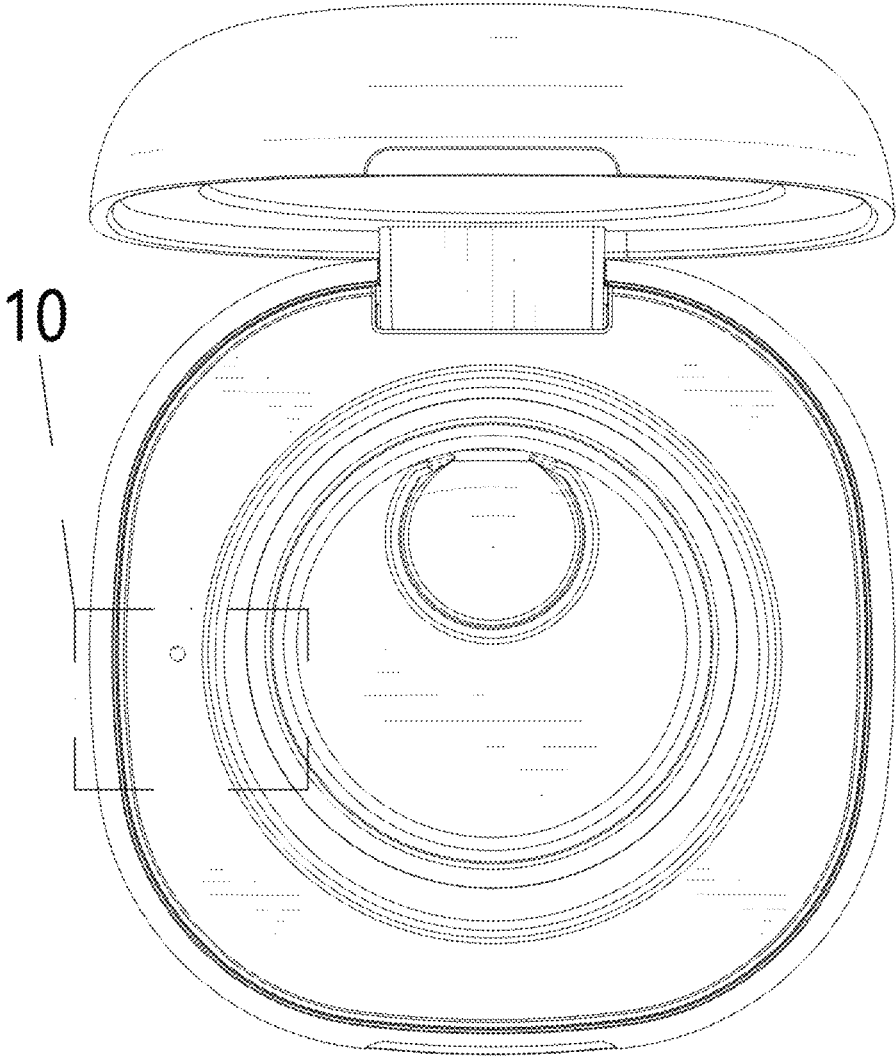


FIG. 7

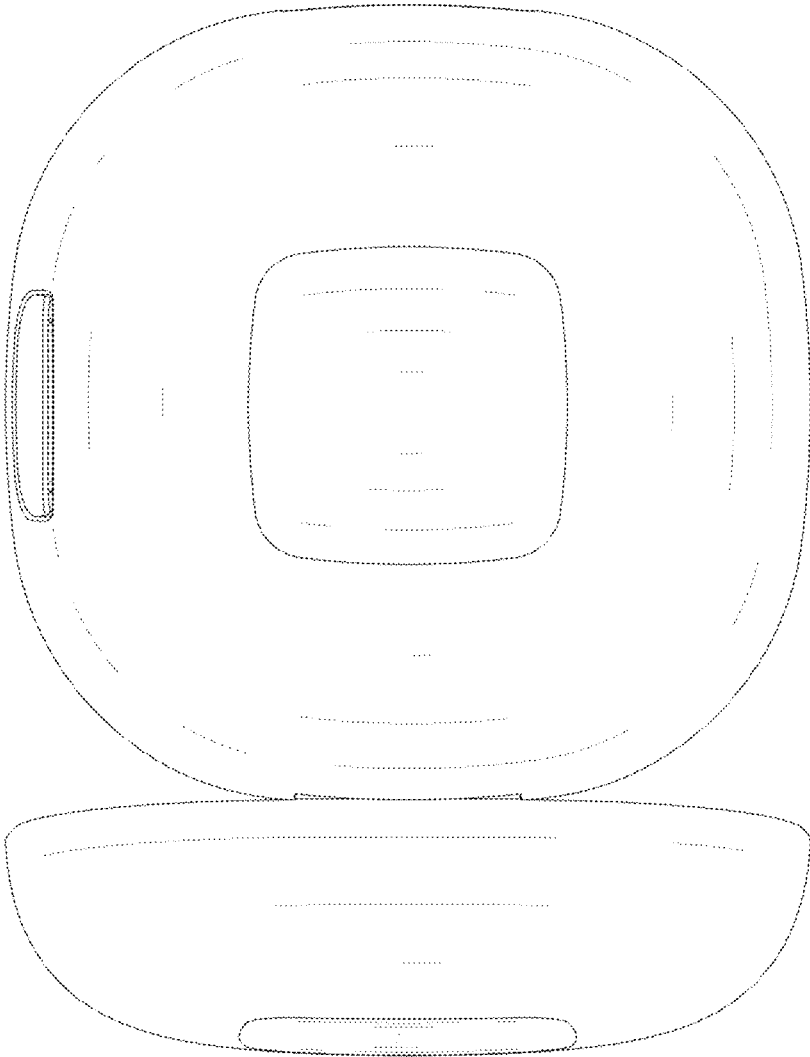


FIG. 8

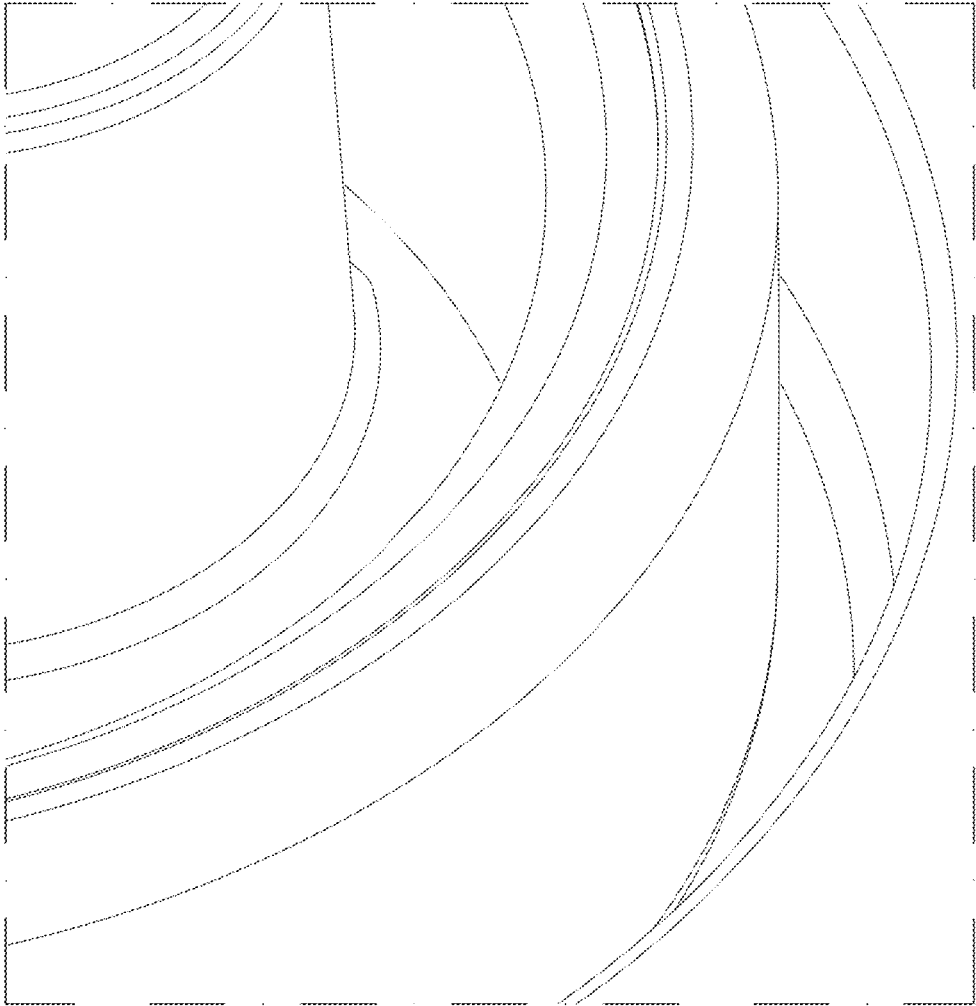


FIG. 9

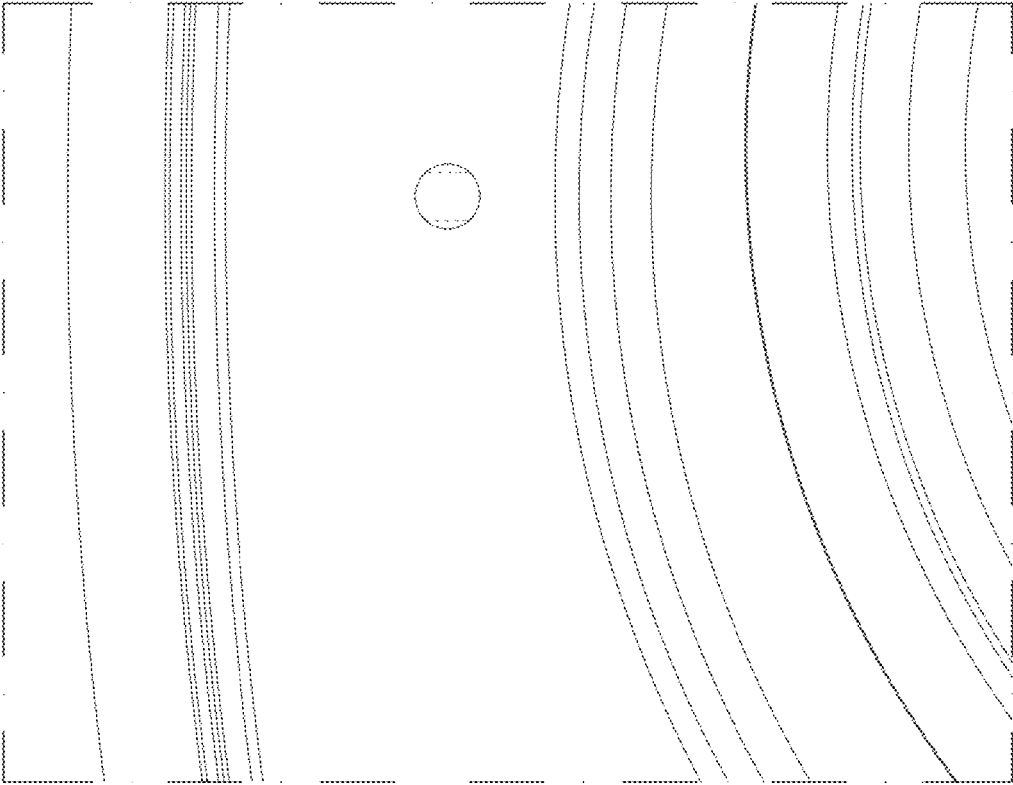


FIG. 10