



US00D379756S

United States Patent [19] Parduhn

[11] Patent Number: **Des. 379,756**

[45] Date of Patent: ****Jun. 10, 1997**

[54] **SPAN WIRE CLAMP**

[75] Inventor: **Stephen P. Parduhn**, Edmond, Okla.

[73] Assignee: **Pelco Products, Inc.**, Edmond, Okla.

[**] Term: **14 Years**

[21] Appl. No.: **33,678**

[22] Filed: **Jan. 18, 1995**

[51] **LOC (6) Cl.** **08-08**

[52] **U.S. Cl.** **D8/373**

[58] **Field of Search** **D8/373, 394-6;**
248/58, 61, 214, 295, 317

[56] **References Cited**

U.S. PATENT DOCUMENTS

2,462,247	2/1949	Wright	248/61
2,699,462	1/1955	Exner	D8/356
3,989,217	11/1976	Friedman	248/61
4,520,984	6/1985	Rouleau	248/317

OTHER PUBLICATIONS

Pelco Products, Inc., product Bulletin 118, published Aug. 12, 1991. See Items 1-4.

Traffic Control Technologies, Inc. catalog, published Dec. 1979.

Automatic Signal catalog, p. J-1, published prior to 1985.

Safetran Traffic Systems, Inc. catalog, pp. SX11-13, published prior to 1980—2way hanger.

General Traffic Equipment Corp. catalog, p. 8410, published prior to 1990. —SWC—320F.

Primary Examiner—B.J. Bullock

Attorney, Agent, or Firm—McKinney, Stringer & Webster

[57] **CLAIM**

The ornamental design for a span wire clamp, as shown.

DESCRIPTION

FIG. 1 is a perspective view of my new design for a span wire clamp;

FIG. 2 is a view of one end thereof, the opposing end view being the mirror image thereof;

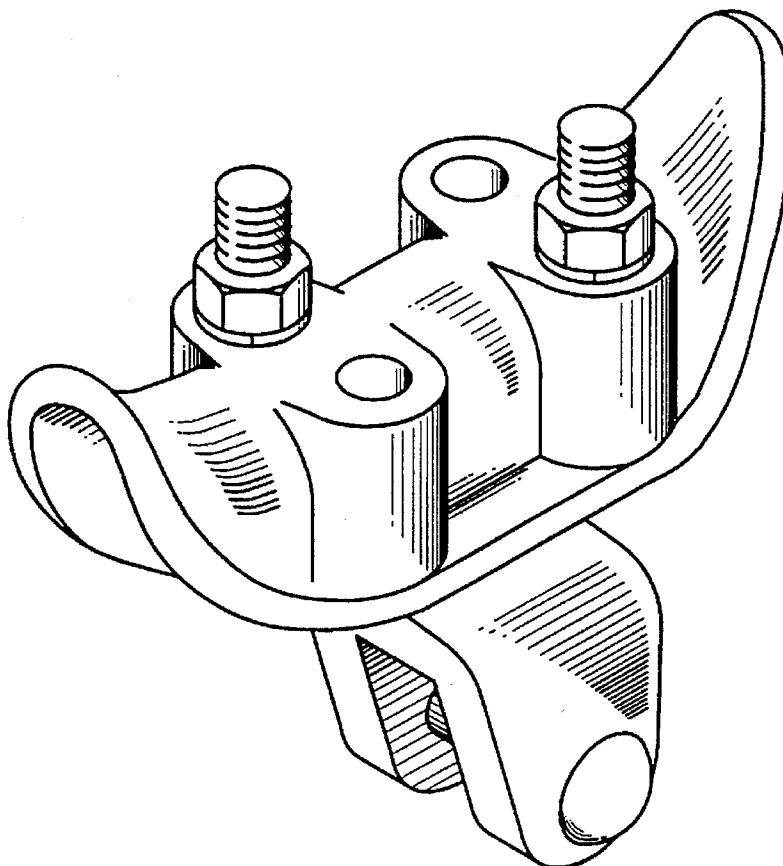
FIG. 3 is an elevational view of the first side thereof;

FIG. 4 is an elevational view of the opposing side thereof;

FIG. 5 is a plan view thereof; and,

FIG. 6 is a bottom view thereof.

1 Claim, 5 Drawing Sheets



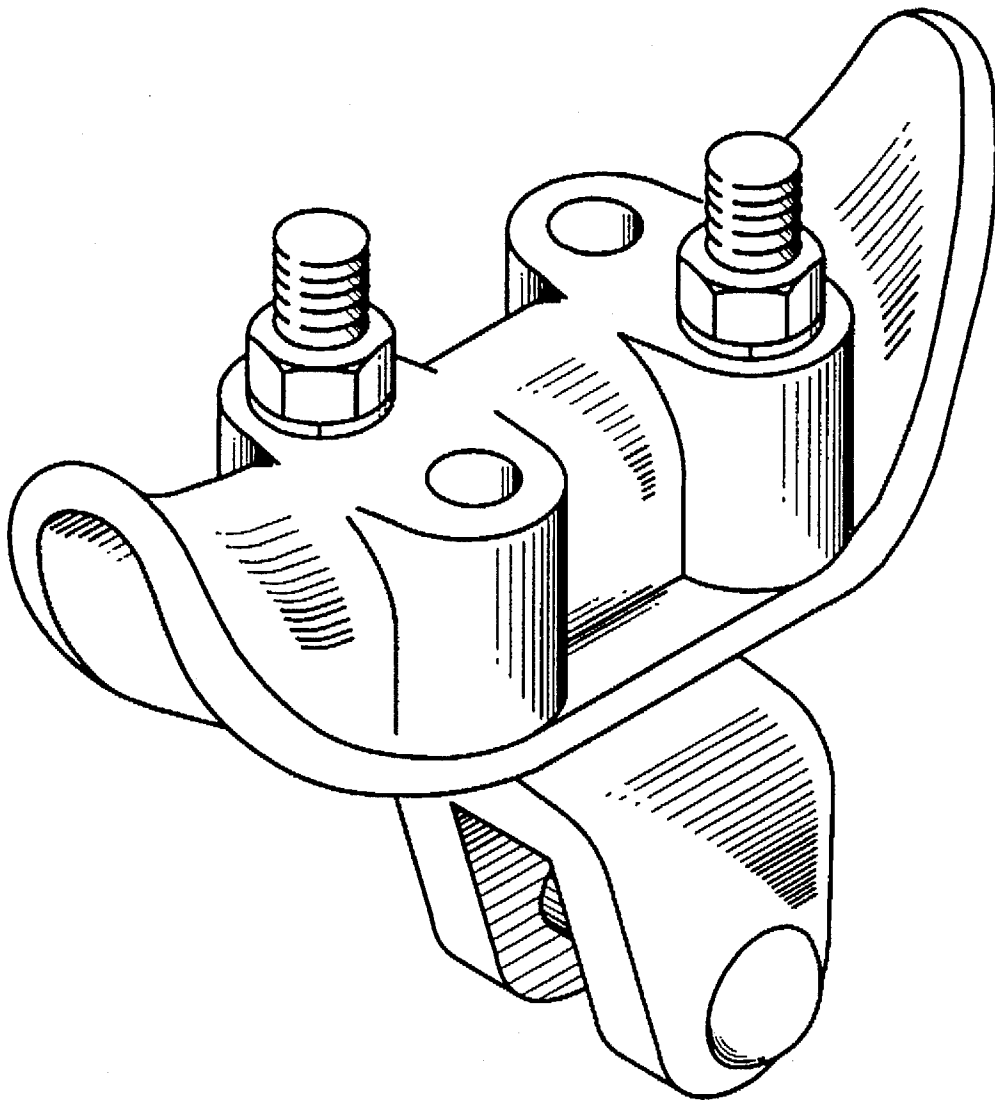


Fig. 1

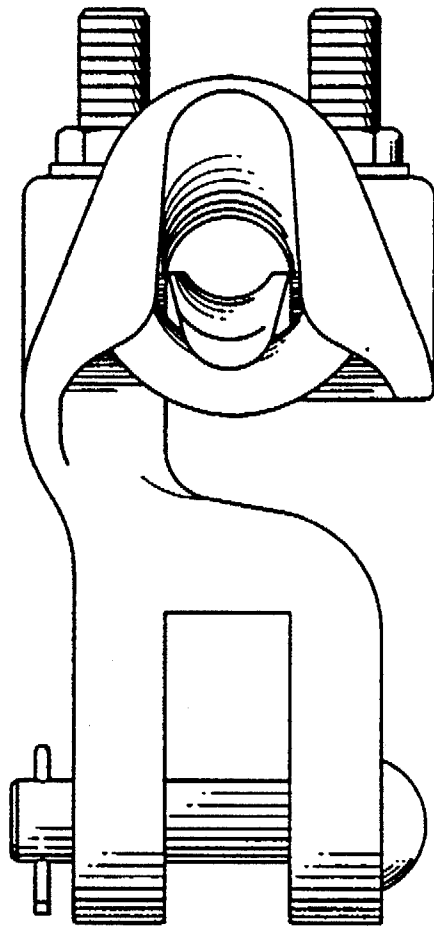


Fig. 2

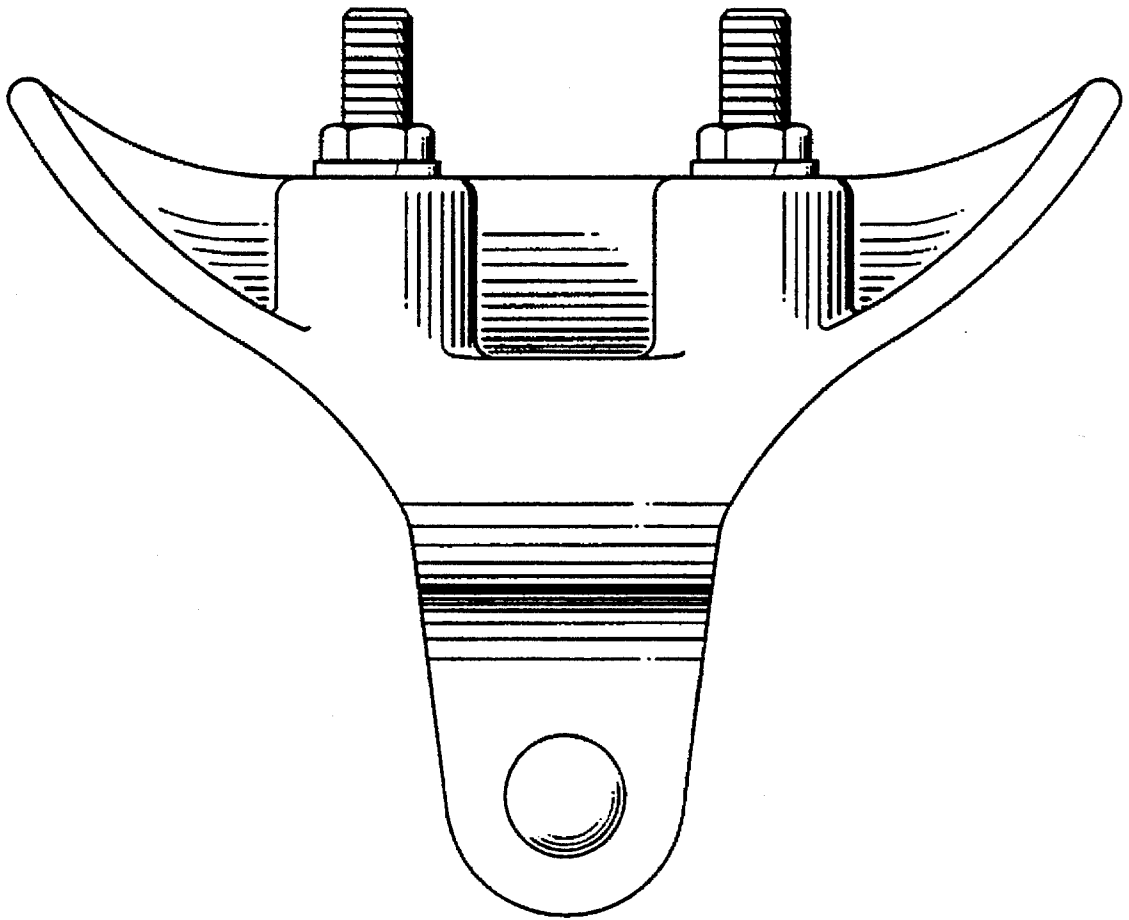


Fig. 3

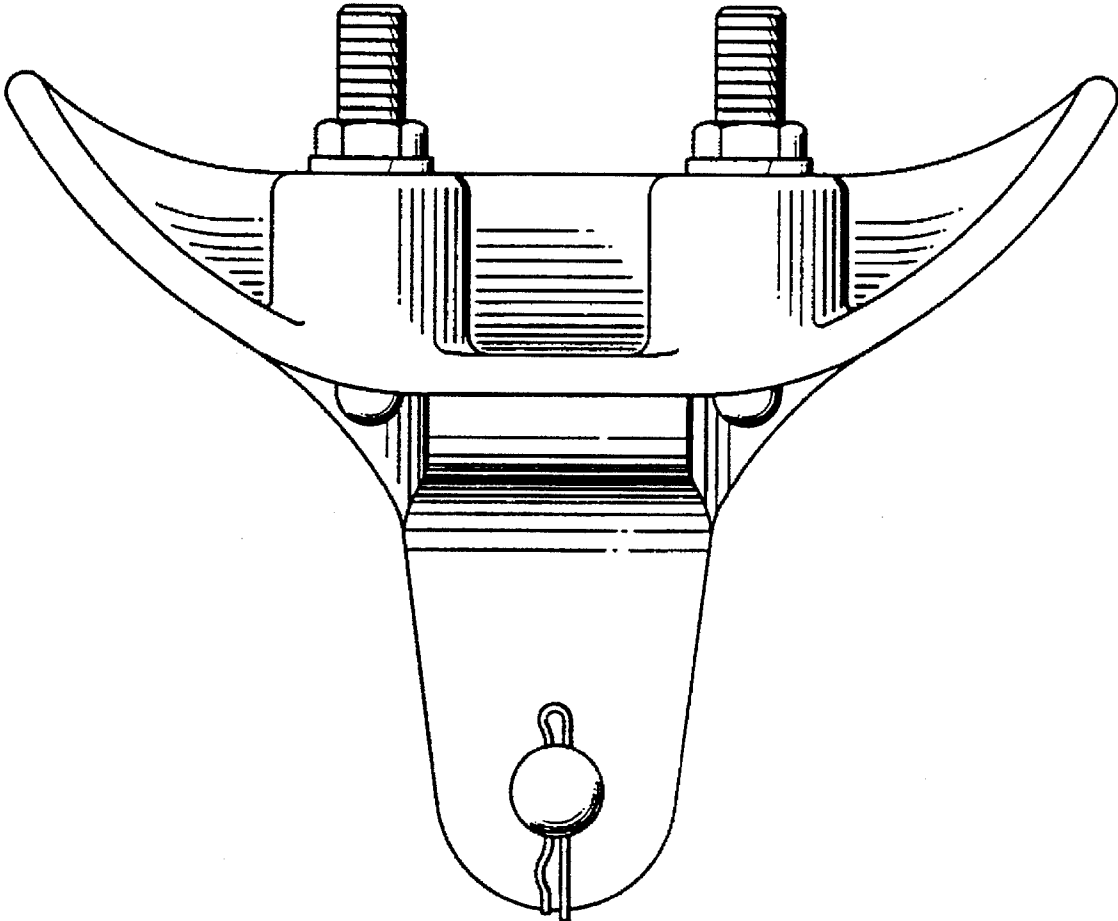


Fig. 4

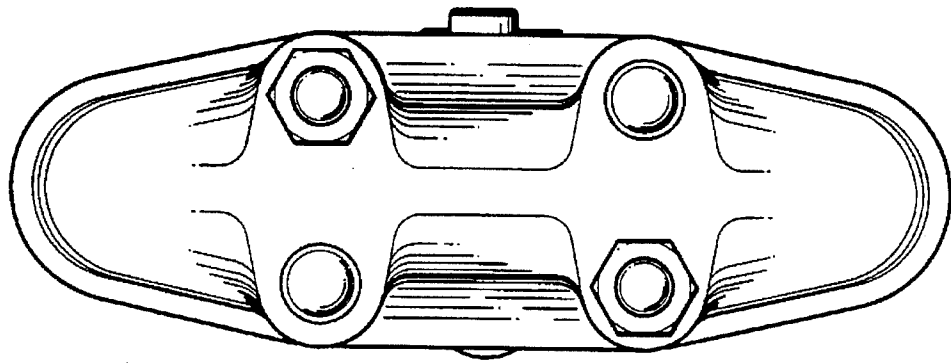


Fig. 5

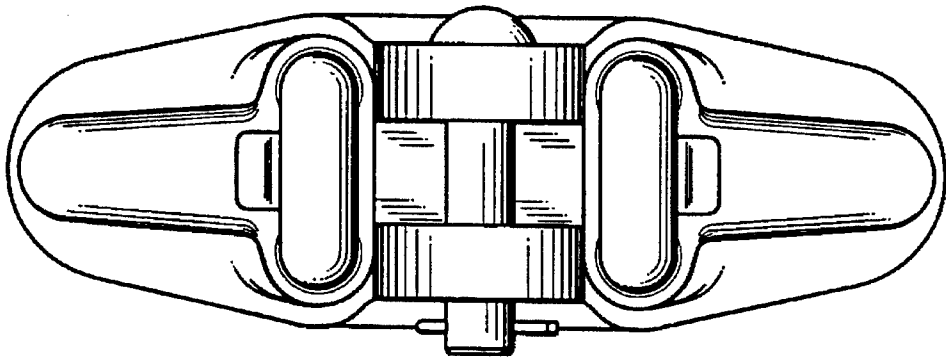


Fig. 6