



US00D648766S

(12) **United States Design Patent**
Chen

(10) **Patent No.:** **US D648,766 S**

(45) **Date of Patent:** **** Nov. 15, 2011**

(54) **WEBCAM**

(75) Inventor: **Chih-Chung Chen**, New Taipei (TW)

(73) Assignee: **Cheng Uei Precision Industry Co., Ltd.**, New Taipei (TW)

(**) Term: **14 Years**

(21) Appl. No.: **29/387,401**

(22) Filed: **Mar. 11, 2011**

(51) **LOC (9) Cl.** **16-01**

(52) **U.S. Cl.** **D16/202**

(58) **Field of Classification Search** D16/200-205,
D16/208, 218, 242; 348/373-376; 396/419,
396/427, 535-541

See application file for complete search history.

(56) **References Cited**

U.S. PATENT DOCUMENTS

5,855,343	A	*	1/1999	Krekelberg	248/121
D430,587	S	*	9/2000	Summit	D16/202
D478,922	S	*	8/2003	Han	D16/202
6,845,954	B1	*	1/2005	Moayer et al.	248/187.1
D507,007	S	*	7/2005	Sitoh et al.	D16/202

D523,050	S	*	6/2006	Bahroocha et al.	D16/202
D552,144	S	*	10/2007	Logan et al.	D16/242
D573,622	S	*	7/2008	Fisher et al.	D16/202
D626,580	S	*	11/2010	Tzeng	D16/202
D626,983	S	*	11/2010	Serge et al.	D16/202
D641,770	S	*	7/2011	Hoehn et al.	D16/202

* cited by examiner

Primary Examiner — Adir Aronovich

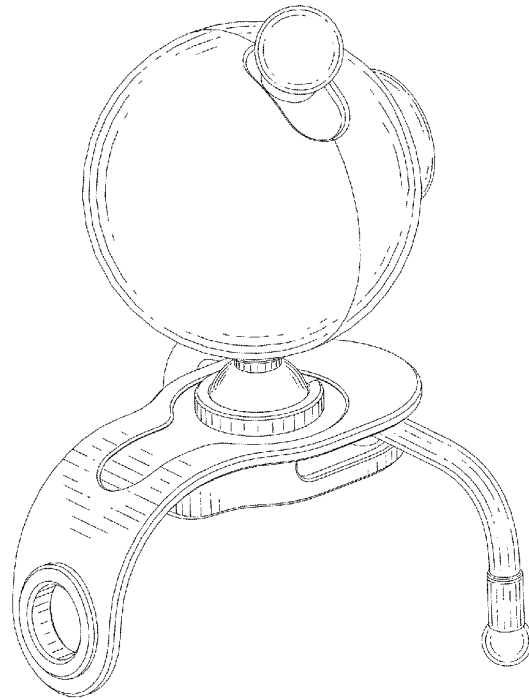
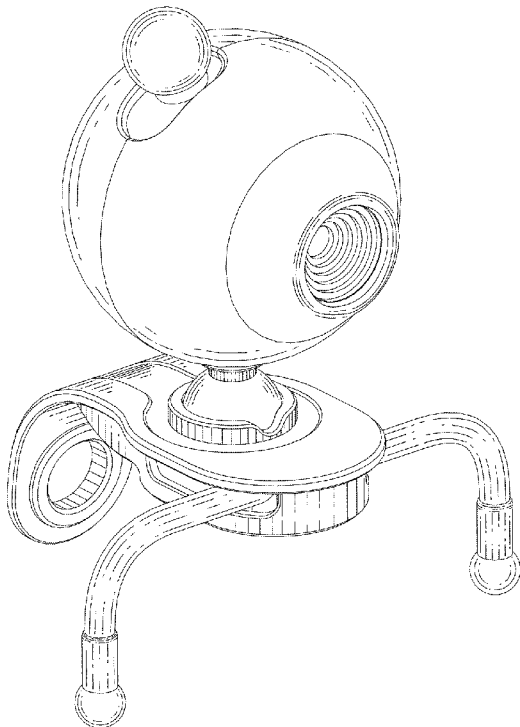
(57) **CLAIM**

The ornamental design for a webcam, as shown and described.

DESCRIPTION

FIG. 1 is a front and left side perspective view of a webcam showing my new design;
 FIG. 2 is a front elevational view thereof;
 FIG. 3 is a rear elevational view thereof;
 FIG. 4 is a left side elevational view thereof;
 FIG. 5 is a right side elevational view thereof;
 FIG. 6 is a top plan view thereof;
 FIG. 7 is a bottom plan view thereof; and,
 FIG. 8 is a rear and left side perspective view thereof.

1 Claim, 8 Drawing Sheets



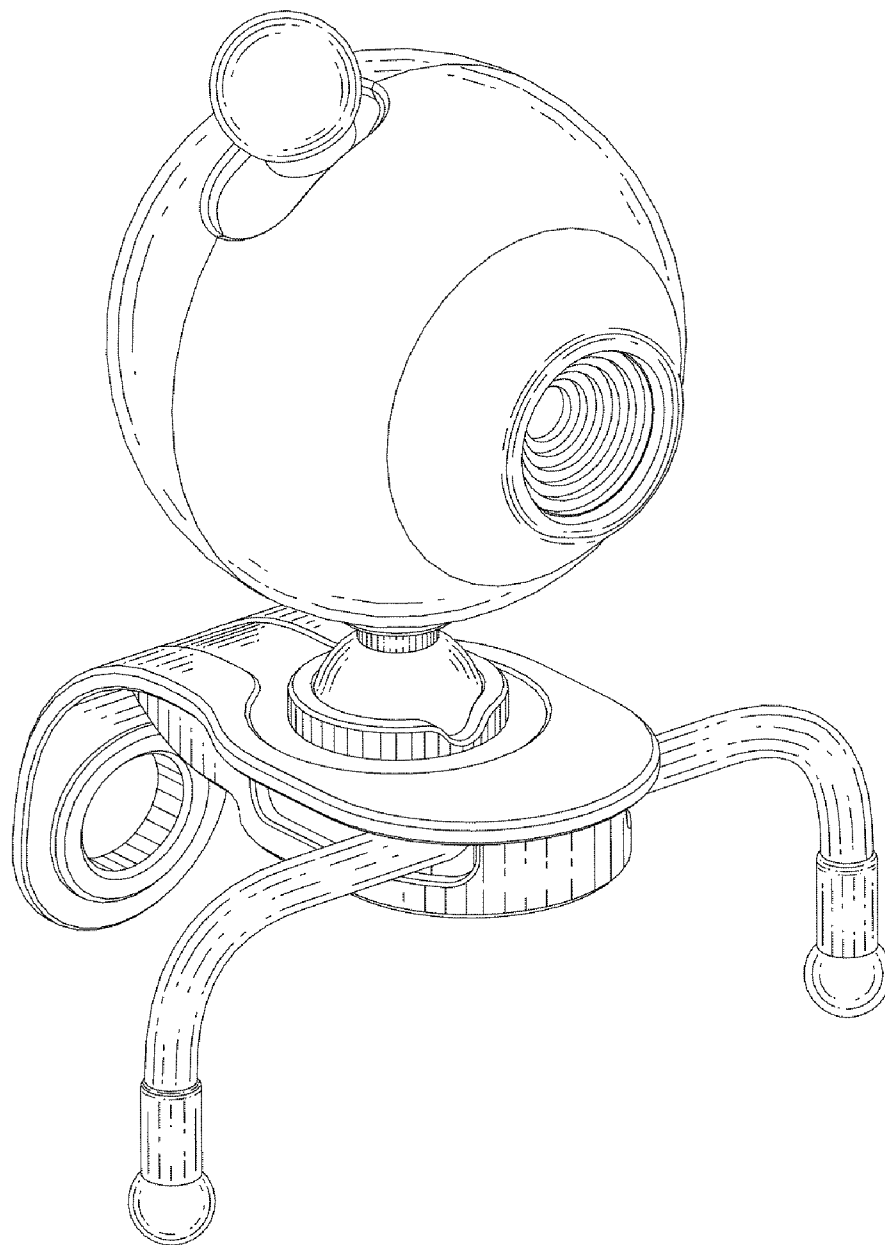


FIG. 1

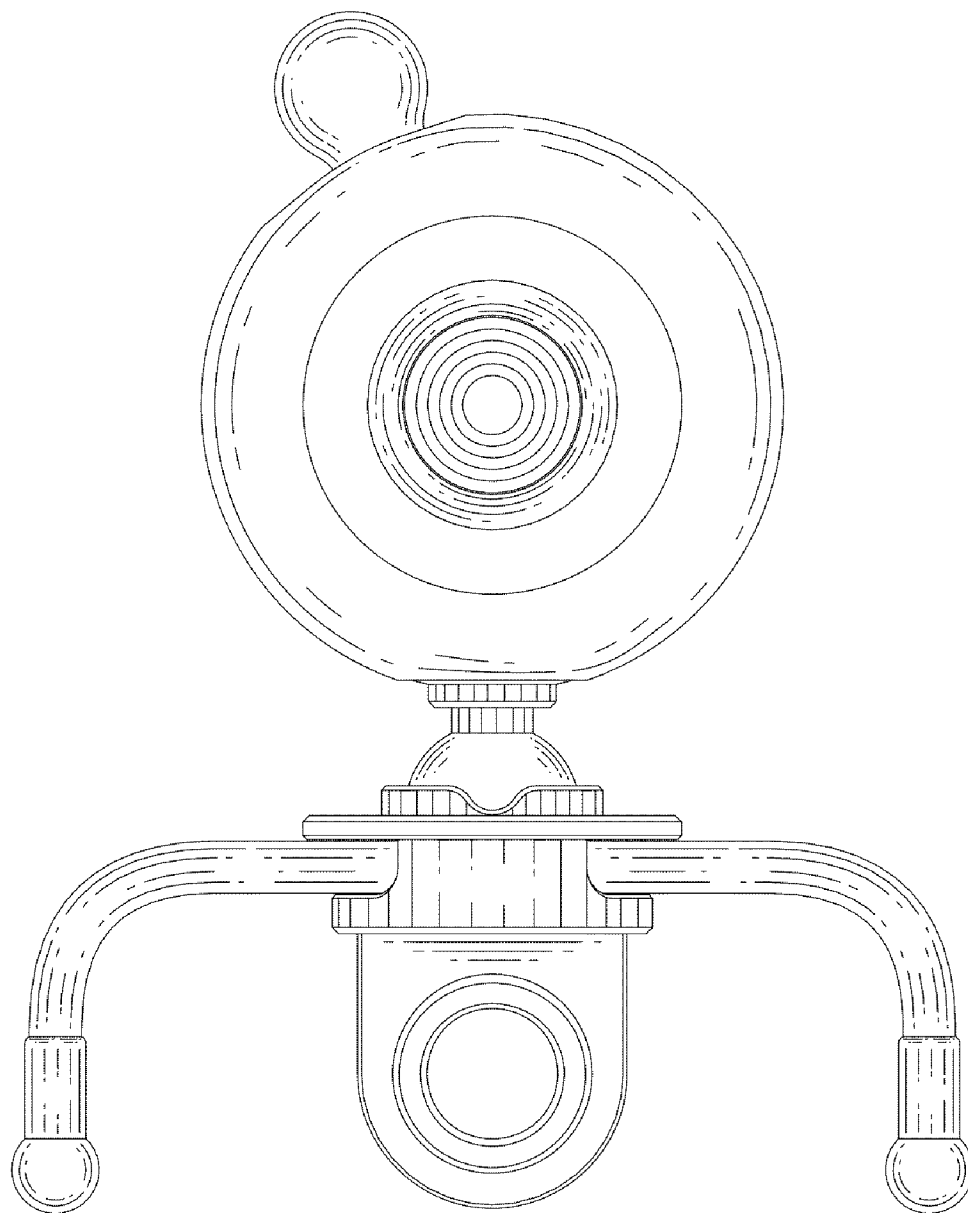


FIG. 2

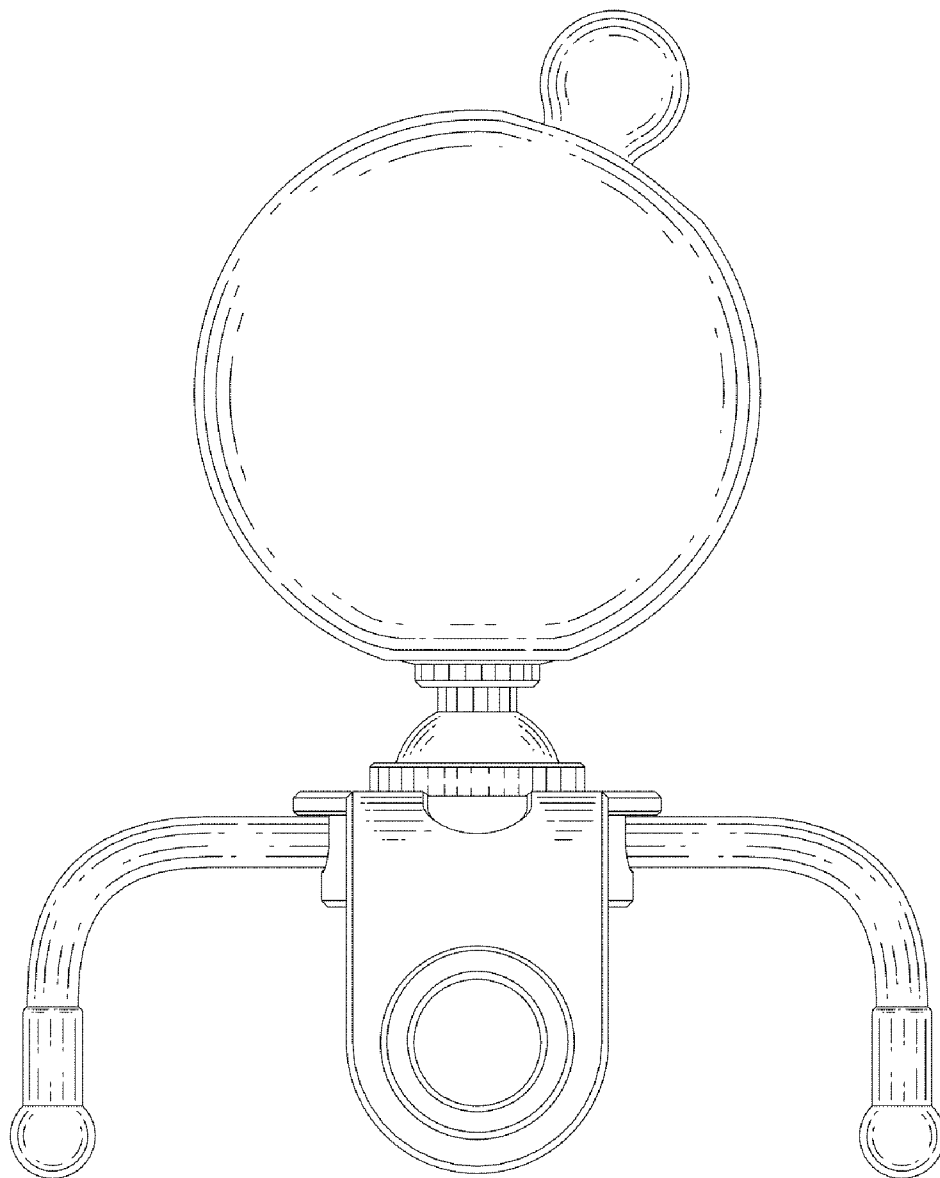


FIG. 3

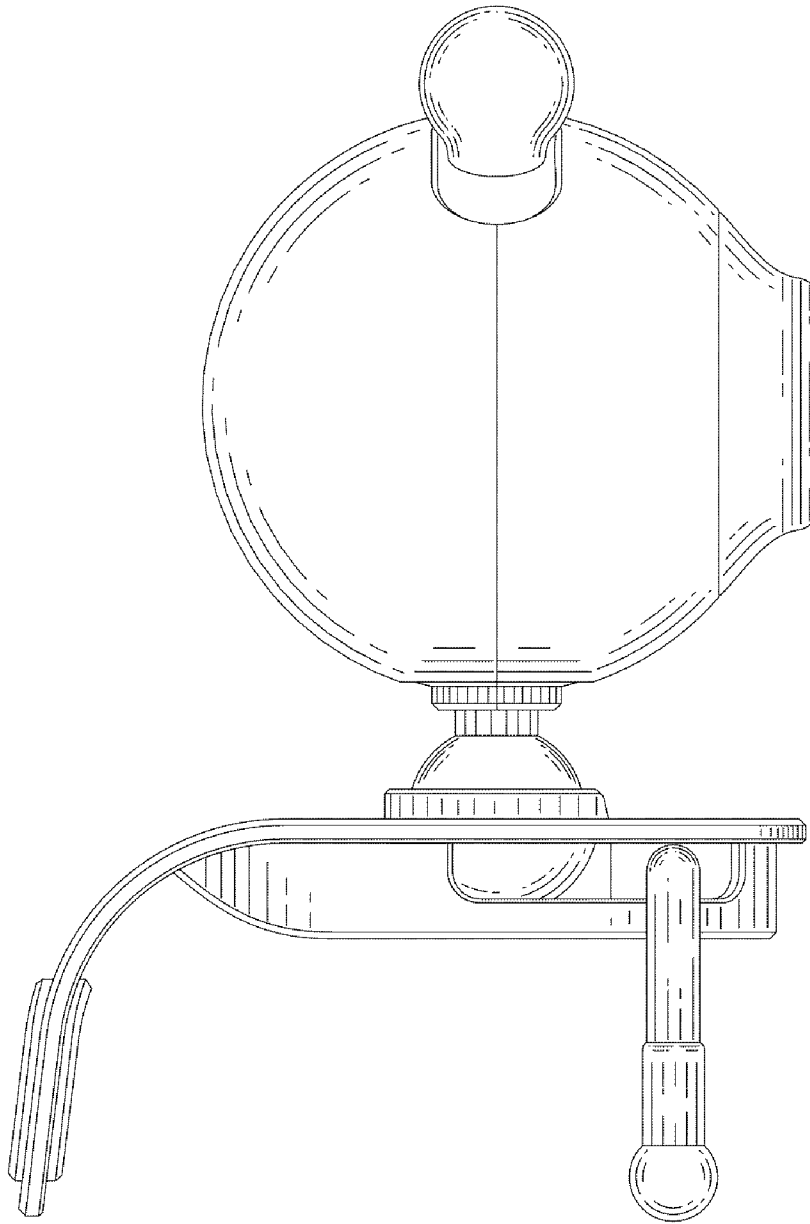


FIG. 4

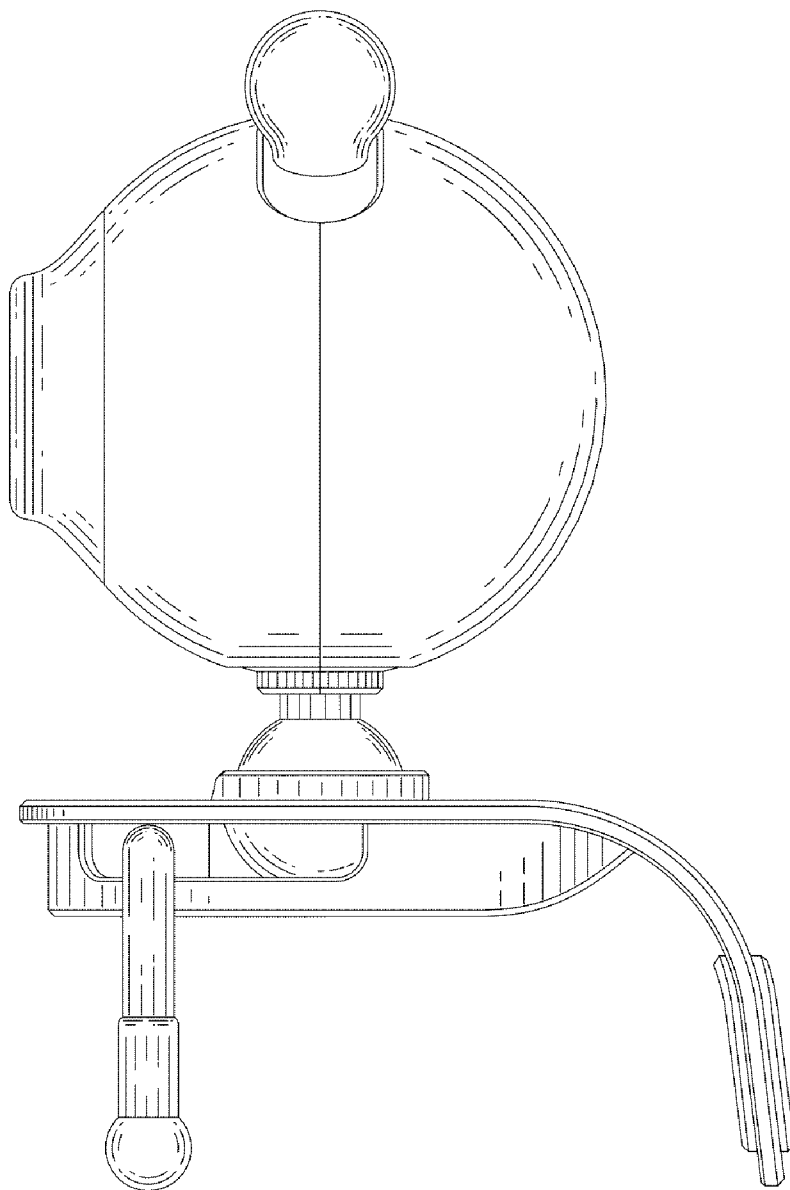


FIG. 5

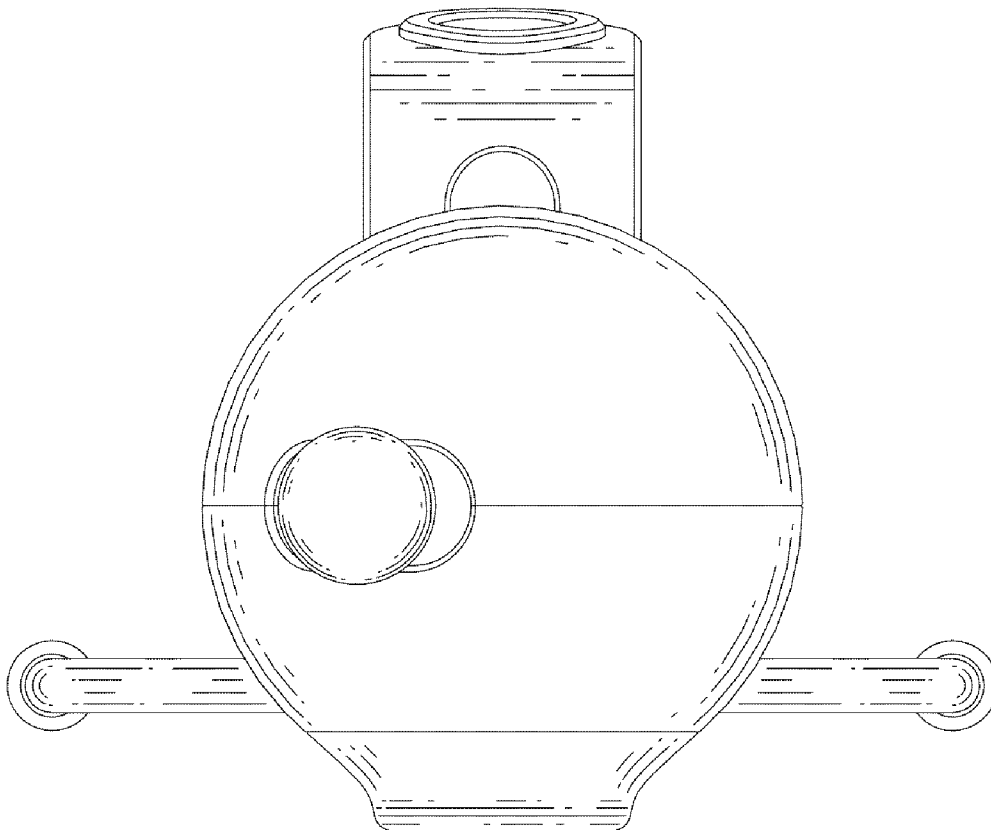


FIG. 6

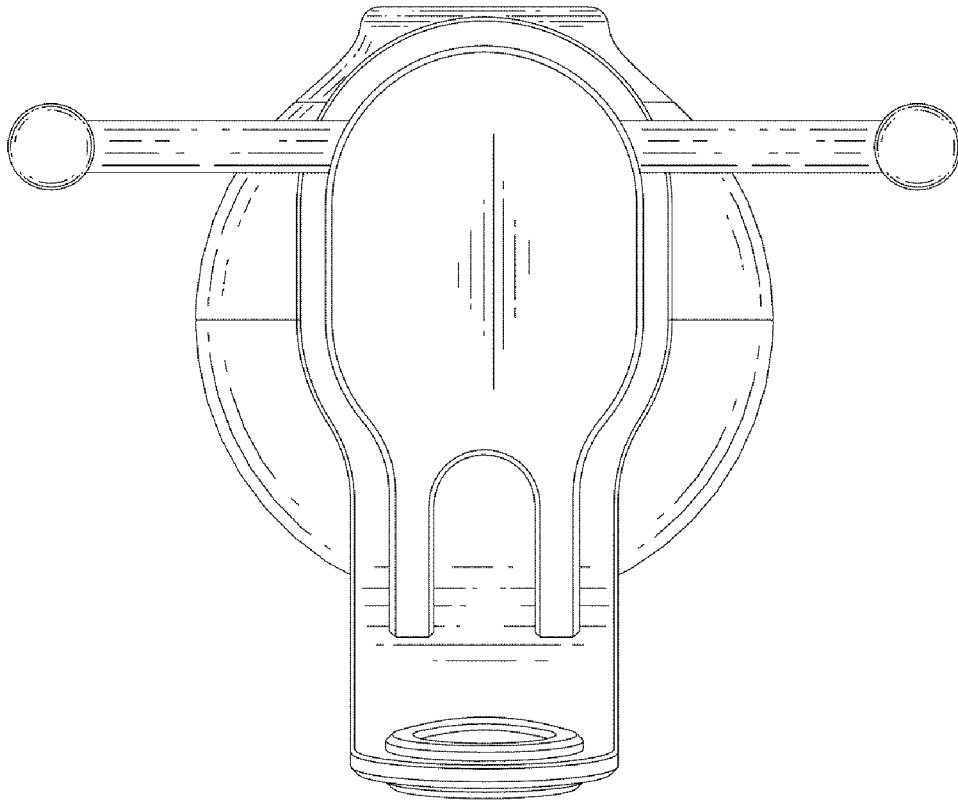


FIG. 7

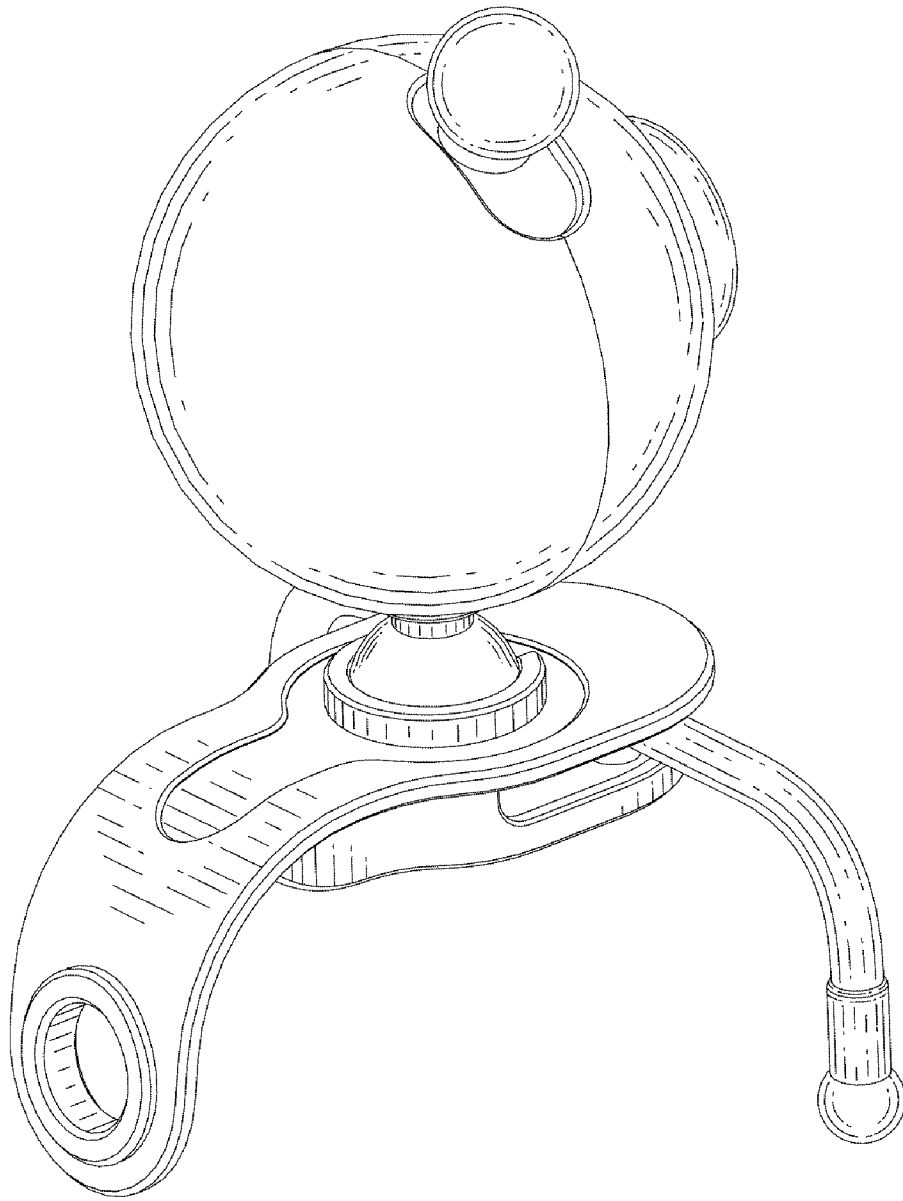


FIG. 8