



US00D709874S

(12) **United States Design Patent**
Aumiller et al.

(10) **Patent No.:** **US D709,874 S**

(45) **Date of Patent:** **** Jul. 29, 2014**

- (54) **ELECTRONIC DEVICE**
- (71) Applicant: **Samsung Electronics Co., Ltd.**,
Suwon-si (KR)
- (72) Inventors: **Curtis Aumiller**, San Jose, CA (US);
Pranav Mistry, Cupertino, CA (US);
Chengyuan Wei, Dalian (CN)
- (73) Assignee: **Samsung Electronics Co., Ltd.**,
Suwon-Si (KR)
- (**) Term: **14 Years**
- (21) Appl. No.: **29/449,661**
- (22) Filed: **Mar. 15, 2013**
- (51) **LOC (10) Cl.** **14-02**
- (52) **U.S. Cl.**
USPC **D14/344**
- (58) **Field of Classification Search**
USPC D14/341-347, 420, 426, 427;
D10/30-32, 37-39, 65; 368/281-282,
368/294-296; 455/100; 361/679.03;
379/433.1; D11/3-5
See application file for complete search history.

(56) **References Cited**

U.S. PATENT DOCUMENTS

2,473,226	A	*	6/1949	Sheldon	224/219
D282,914	S		3/1986	Maron		
D284,949	S		8/1986	Kong		
D297,121	S		8/1988	Porsche et al.		
D302,664	S		8/1989	Dawson, Jr.		
D351,558	S		10/1994	Moon		
D356,960	S		4/1995	Courteault		
D372,878	S	*	8/1996	Finnegan	D11/3
D433,949	S		11/2000	Helleu		
D455,356	S	*	4/2002	Saffer	D10/32
D543,122	S		5/2007	Lafever et al.		
D545,697	S	*	7/2007	Martin	D10/38

D547,211	S	*	7/2007	Dias	D10/39
D574,263	S	*	8/2008	Loth	D10/38
D631,373	S	*	1/2011	Mikkelsen	D10/32
D635,472	S	*	4/2011	Dalla Libera et al.	D10/32
D640,948	S	*	7/2011	Quigley	D11/3
D651,099	S	*	12/2011	Ruffieux	D10/38
D661,206	S	*	6/2012	Register et al.	D10/38
D678,081	S	*	3/2013	Cabiddu	D10/38
D687,736	S	*	8/2013	Wycoff	D11/3

OTHER PUBLICATIONS

Pebble smartwatch, posted Jan. 25, 2013 [online], [retrieved Aug. 22, 2013]. Retrieved from Internet, <http://www.engadget.com/2013/01/25/pebble-smartwatch-review/>.*

Zypad WL 1000, posted June. 29, 2007 [online], [retrieved Aug. 22, 2013]. Retrieved from Internet, <http://www.pocket-lint.com/news/81360-zypad-wl1000-futuristic-wearable-computer>.*

iWatch Concept, posted Feb. 21, 2013 [online], [retrieved Aug. 21, 2013]. Retrieved from Internet, <http://appleinsider.com>.*

Samsungpatent for a wrist watch computing device, posted Aug. 14, 2013 [online], [retrieved Aug. 21, 2013]. Retrieved from Internet, <http://appleinsider.com>.*

(Continued)

Primary Examiner — Barbara Fox
(74) *Attorney, Agent, or Firm* — Sughrue Mion, PLLC

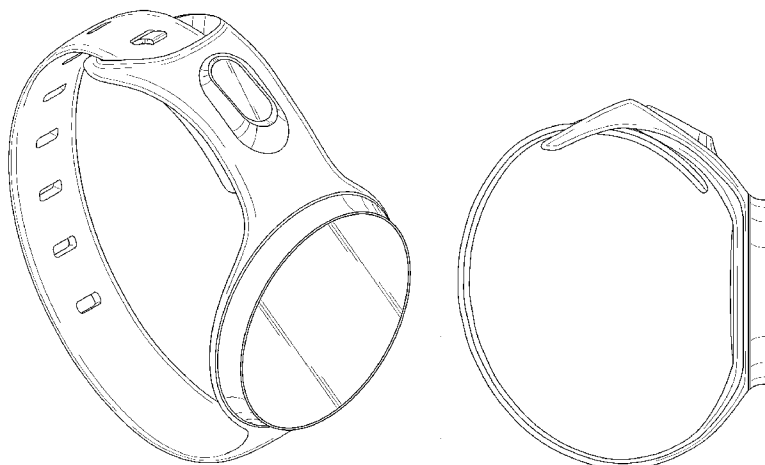
(57) **CLAIM**

The ornamental design for an electronic device, as shown and described.

DESCRIPTION

FIG. 1 is a top front perspective view of an electronic device showing our new design;
FIG. 2 is a front elevational view thereof;
FIG. 3 is a rear elevational view thereof;
FIG. 4 is a left side elevational view thereof;
FIG. 5 is a right side elevational view thereof;
FIG. 6 is a top plan view thereof; and,
FIG. 7 is a bottom plan view thereof.

1 Claim, 3 Drawing Sheets



(56)

References Cited

OTHER PUBLICATIONS

Microsoft "Smartwatch", posted Apr. 17, 2013 [online], [retrieved Aug. 22, 2013]. Retrieved from Internet, <http://kotaku.com/report-xbox-staff-working-on-microsoft-smartwatch-475322574>.*

Smartwatches, posted Mar. 25, 2013 [online], [retrieved Aug. 22, 2013]. Retrieved from Internet, <http://www.trustedreviews.com/opinions/smart-watches-fad-or-the-future>.*

Microsoft smartwatch, posted Apr. 15, 2013 [online], [retrieved Aug. 22, 2013]. Retrieved from Internet, <http://www.digitaltrends.com>.*

Samsung SPH-WP10, posted Mar. 21, 2013 [online], [retrieved Aug. 21, 2013]. Retrieved from Internet, <http://appleinsider.com>.*

Sony SmartWatch, posted Mar. 19, 2012 [online], [retrieved Aug. 22, 2013]. Retrieved from Internet, <http://www.theverge.com/2012/3/19/2876341/sony-smartwatch-review>.*

Microsof SPTO Watch Smartwatch, posted Mar. 11, 2013 [online], [retrieved Aug. 22, 2013]. Retrieved from Internet, <http://www.smartwatchnews.org/2004-microsoft-spot-watch-smartwatch/>.*

I'm Watch, posted Jan. 10, 2012 [online], [retrieved Aug. 22, 2013]. Retrieved from Internet, <http://www.theverge.com>.*

* cited by examiner

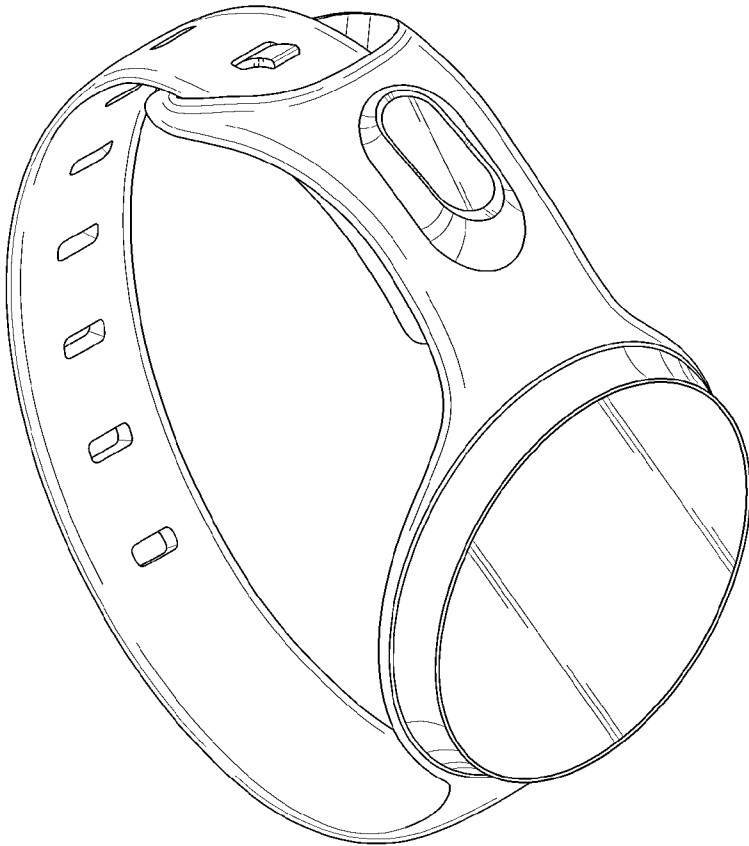


FIG.1

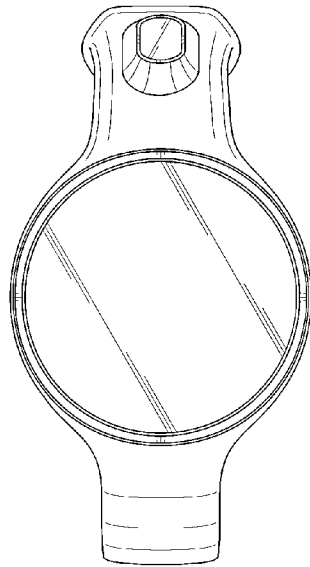


FIG. 2

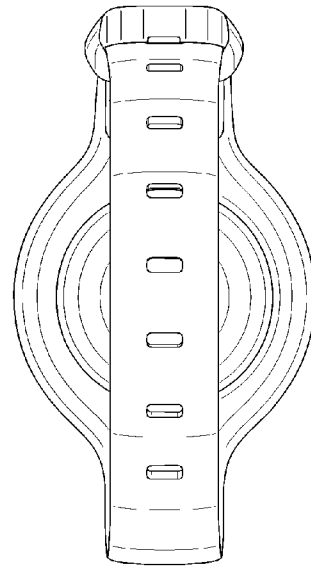


FIG. 3

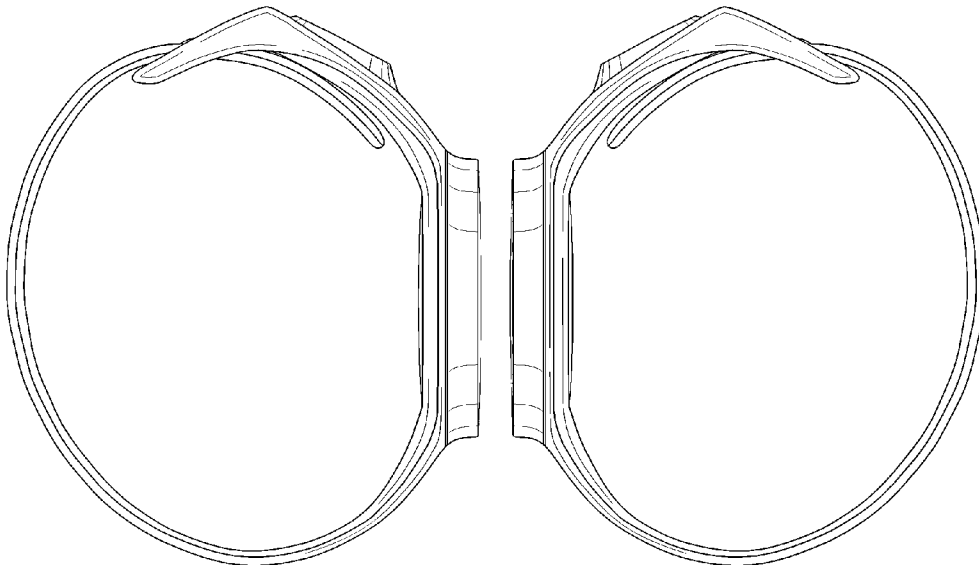


FIG. 4

FIG. 5

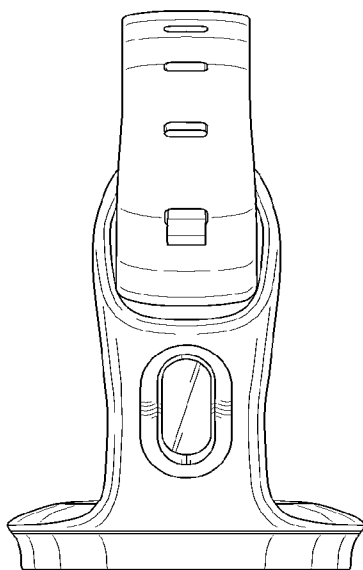


FIG.6

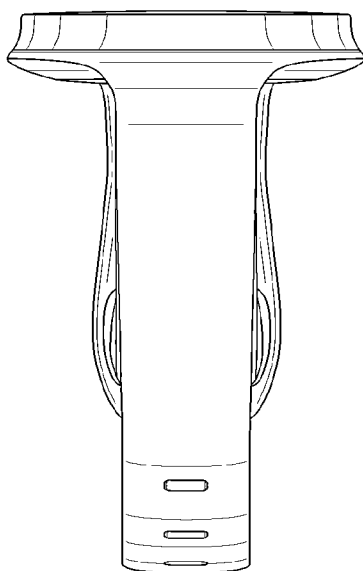


FIG.7