



US0D1020654S

(12) **United States Design Patent**  
**Cheung et al.**

(10) **Patent No.:** **US D1,020,654 S**

(45) **Date of Patent:** **\*\* Apr. 2, 2024**

(54) **ADAPTER**

(71) Applicant: **JUUL Labs, Inc.**, San Francisco, CA (US)

(72) Inventors: **Brandon Cheung**, San Francisco, CA (US); **Kevin Lomeli**, San Francisco, CA (US); **Claire O'Malley**, San Francisco, CA (US)

(73) Assignee: **JUUL Labs, Inc.**, Washington, DC (US)

(\*\*) Term: **15 Years**

(21) Appl. No.: **29/770,481**

(22) Filed: **Feb. 12, 2021**

**Related U.S. Application Data**

(63) Continuation of application No. 29/660,826, filed on Aug. 22, 2018, now Pat. No. Des. 910,576.

(51) **LOC (14) Cl.** ..... **13-03**

(52) **U.S. Cl.**  
USPC ..... **D13/147; D27/194**

(58) **Field of Classification Search**  
USPC ..... D13/102-110, 118-119, 133, 147, 184, D13/199; D27/194  
CPC .. H01M 50/10; H01M 50/107; H01M 50/209; H01M 50/20; H01M 50/213; H01M 50/502; Y02E 60/10; Y02E 60/50  
See application file for complete search history.

(56) **References Cited**

**U.S. PATENT DOCUMENTS**

D446,499 S 8/2001 Andre et al.  
D491,530 S 6/2004 Yang et al.  
6,743,030 B2 6/2004 Lin et al.  
7,019,491 B2 3/2006 Bozzone et al.  
D521,445 S 5/2006 Liu  
D534,921 S 1/2007 Andre et al.

D535,308 S 1/2007 Andre et al.  
7,214,075 B2 5/2007 He et al.  
7,275,941 B1 10/2007 Bushby  
D563,885 S \* 3/2008 Dever ..... D13/147  
D576,619 S 9/2008 Udagawa et al.  
(Continued)

**FOREIGN PATENT DOCUMENTS**

CN 202004499 U 10/2011  
RU 2013503569 4/2015  
(Continued)

**OTHER PUBLICATIONS**

Ovns USB Charger for Juul Vape Pod Kit, May 17, 2018, www.vaporl.com/ovns-usb-charger-for-juul-vape-pod-kit.html.

(Continued)

*Primary Examiner* — Alison M Ofstun

(74) *Attorney, Agent, or Firm* — Mintz, Levin, Cohn, Ferris, Glovsky and Popeo, P.C.

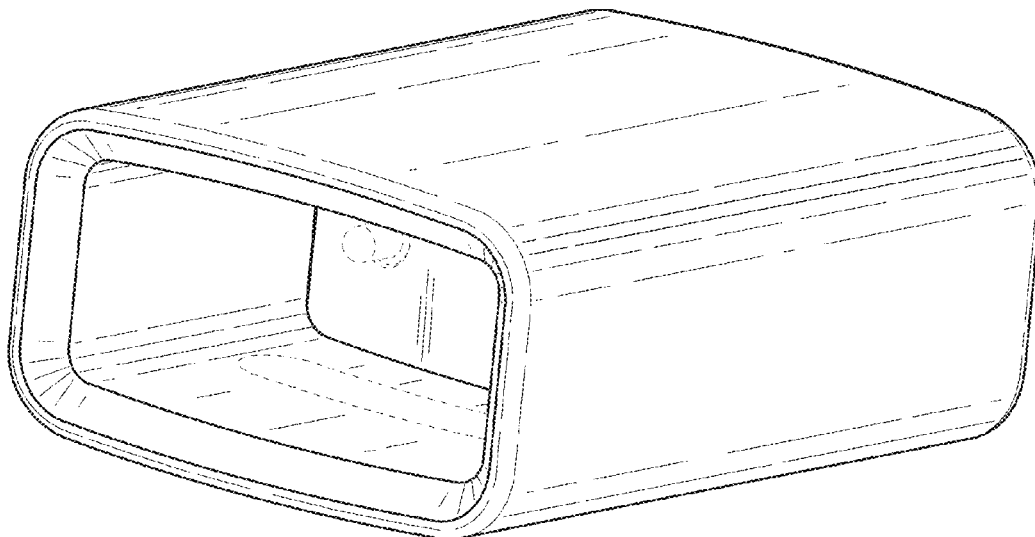
(57) **CLAIM**

The ornamental design for an adapter, as shown and described.

**DESCRIPTION**

FIG. 1 is a top, rear, and right side perspective view of an adapter, showing our new design;  
FIG. 2 is a bottom, front, and left side perspective view thereof;  
FIG. 3 is a top view thereof;  
FIG. 4 is a bottom view thereof;  
FIG. 5 is a left side view thereof;  
FIG. 6 is a right side view thereof;  
FIG. 7 is a front view thereof; and,  
FIG. 8 is a rear view thereof.  
The dash-dash broken lines illustrate portions of the adapter that form no part of the claimed design.

**1 Claim, 4 Drawing Sheets**



(56)

References Cited

U.S. PATENT DOCUMENTS

D579,880 S 11/2008 Birmingham et al.  
 D631,883 S 2/2011 Maier  
 D631,885 S 2/2011 Maier  
 D643,807 S 8/2011 Jiang  
 D645,817 S 9/2011 Sasada et al.  
 D648,726 S 11/2011 Behar et al.  
 8,113,855 B2 2/2012 Green et al.  
 D684,538 S 6/2013 Akana et al.  
 D693,768 S 11/2013 Alesi et al.  
 D703,616 S 4/2014 Akana et al.  
 D704,629 S 5/2014 Liu  
 D704,634 S 5/2014 Eidelman et al.  
 D705,719 S 5/2014 Wong  
 8,973,587 B2 3/2015 Liu  
 D729,277 S 5/2015 Uchida  
 D733,142 S 6/2015 Solomon et al.  
 D740,751 S 10/2015 Akana et al.  
 D743,895 S 11/2015 Akana et al.  
 D746,780 S 1/2016 Akana et al.  
 D747,722 S 1/2016 Webb  
 D749,510 S 2/2016 Liu  
 D760,645 S 7/2016 Chen  
 9,413,180 B2 8/2016 Liu  
 D768,068 S 10/2016 Chen  
 D770,456 S 11/2016 Akana et al.  
 D774,001 S 12/2016 Akana et al.  
 D776,270 S 1/2017 Wilcox et al.  
 9,609,893 B2 4/2017 Novak, III et al.  
 9,648,908 B1 5/2017 Rinehart et al.  
 D790,463 S 6/2017 Lai  
 D790,465 S 6/2017 Zhao  
 9,681,688 B1 6/2017 Rinehart et al.  
 9,723,877 B2 8/2017 Wong et al.  
 D814,471 S 4/2018 Kim et al.  
 D827,649 S \* 9/2018 Shim ..... D14/435.1  
 D842,238 S 3/2019 Qiu et al.  
 D849,996 S 5/2019 Duque et al.  
 D867,302 S 11/2019 Zhu et al.  
 D874,403 S 2/2020 Canizares et al.  
 D876,441 S 2/2020 Boehmer et al.  
 RE47,994 E 5/2020 Bowen et al.  
 D887,975 S \* 6/2020 O'Malley ..... D13/108  
 D892,734 S \* 8/2020 Cheung ..... D13/108  
 D903,192 S \* 11/2020 Chang ..... D27/162  
 D909,397 S \* 2/2021 Bolotin ..... D14/480.5  
 D910,576 S \* 2/2021 Cheung ..... D13/147  
 D925,114 S \* 7/2021 Kim ..... D27/162

D926,680 S \* 8/2021 Wang ..... D27/194  
 D926,681 S \* 8/2021 Wang ..... D27/194  
 D928,712 S \* 8/2021 Cheung ..... D13/137.2  
 D928,945 S \* 8/2021 Ajaelo ..... D24/115  
 D934,253 S \* 10/2021 Lee ..... D14/433  
 D956,688 S \* 7/2022 O'Malley ..... D27/194  
 D960,431 S \* 8/2022 Chang ..... D27/162  
 D968,691 S \* 11/2022 Cheung ..... D27/162  
 D968,693 S \* 11/2022 Cheung ..... D27/162  
 2006/0288169 A1 12/2006 Steiner  
 2007/0229025 A1 10/2007 Tsai et al.  
 2008/0003841 A1 1/2008 Su et al.  
 2012/0188687 A1 7/2012 Yamamoto  
 2012/0252231 A1 10/2012 Kall  
 2013/0323941 A1 12/2013 Zelif et al.  
 2013/0328484 A1 12/2013 Villarreal et al.  
 2014/0014124 A1 1/2014 Glasberg et al.  
 2014/0053857 A1 2/2014 Liu  
 2015/0020831 A1 1/2015 Weigensberg et al.  
 2015/0128972 A1 5/2015 Verleur et al.  
 2015/0128977 A1 5/2015 Li et al.  
 2015/0237918 A1 8/2015 Liu  
 2016/0021771 A1 1/2016 Zhang et al.  
 2016/0278436 A1 9/2016 Verleur et al.  
 2016/0345626 A1 12/2016 Wong et al.  
 2016/0374395 A1 12/2016 Jordan et al.  
 2017/0095002 A1 4/2017 Silvestrini  
 2017/0156404 A1 6/2017 Novak, III et al.  
 2017/0229888 A1 8/2017 Liu  
 2018/0027878 A1 2/2018 Dendy et al.

FOREIGN PATENT DOCUMENTS

TW D178363 9/2016  
 TW D192646 9/2018  
 WO WO-2013113174 A1 8/2013  
 WO WO-2014008646 A1 1/2014  
 WO WO-2015073564 A1 5/2015  
 WO WO-2015100361 A1 7/2015

OTHER PUBLICATIONS

User Manual Fitbit Flex: "User Manual", Aug. 6, 2017, retrieved from the internet: [https://staticcs.fitbit.com/content/assets/help/manuals/manual\\_flex\\_en\\_US.pdf](https://staticcs.fitbit.com/content/assets/help/manuals/manual_flex_en_US.pdf) [retrieved Feb. 17, 2020] pp. 1-8.  
 User Manual Fitbit Flex: "User Manual", Jan. 6, 2018, retrieved from the internet: [https://staticcs.fitbit.com/content/assets/help/manuals/manual\\_blaze\\_en\\_US.pdf](https://staticcs.fitbit.com/content/assets/help/manuals/manual_blaze_en_US.pdf) [retrieved Feb. 17, 2020].

\* cited by examiner

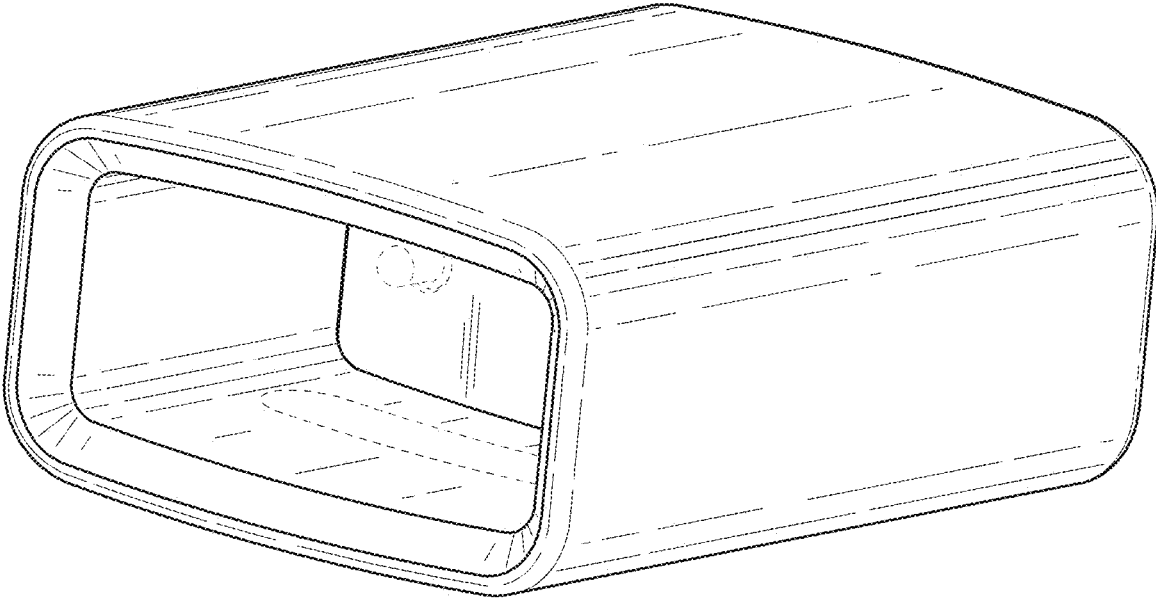


FIG. 1

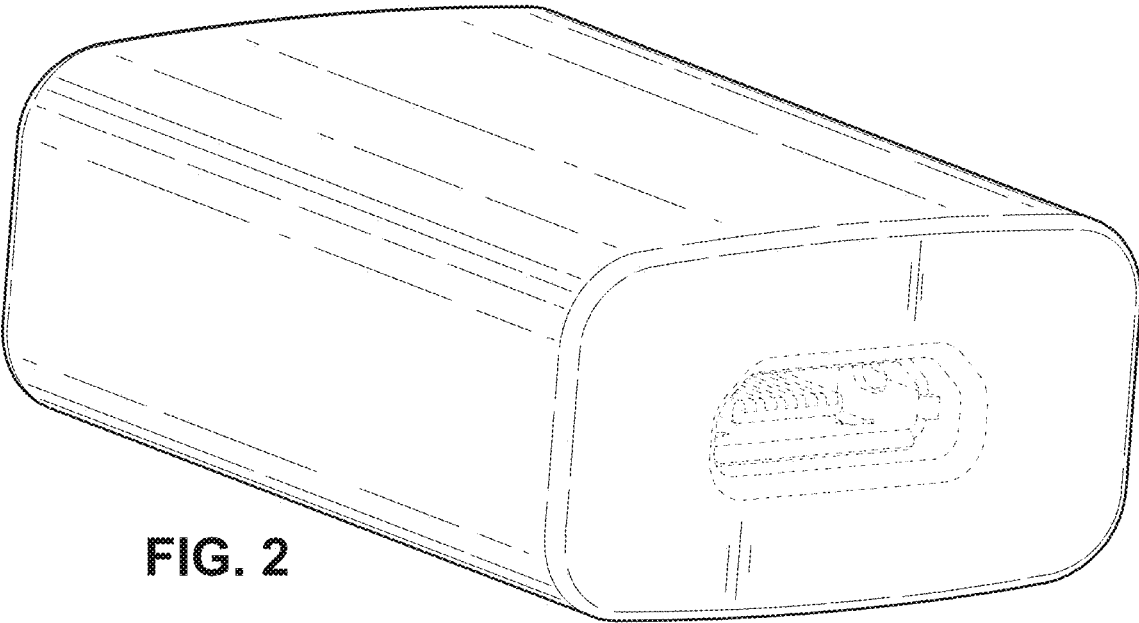
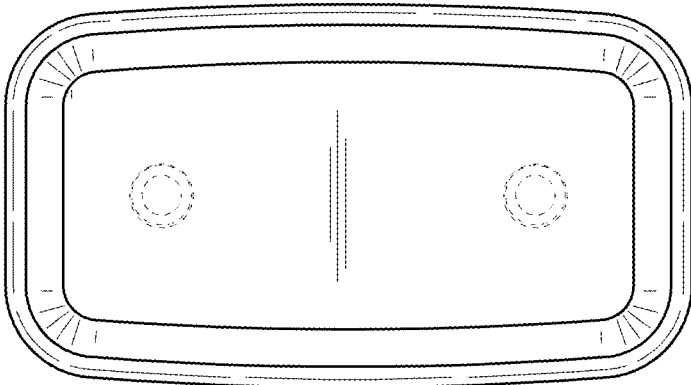
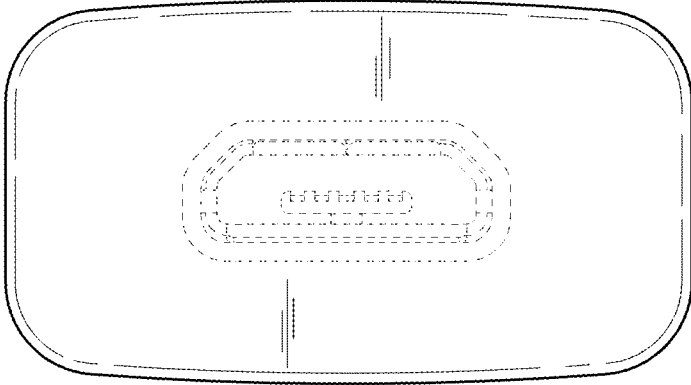


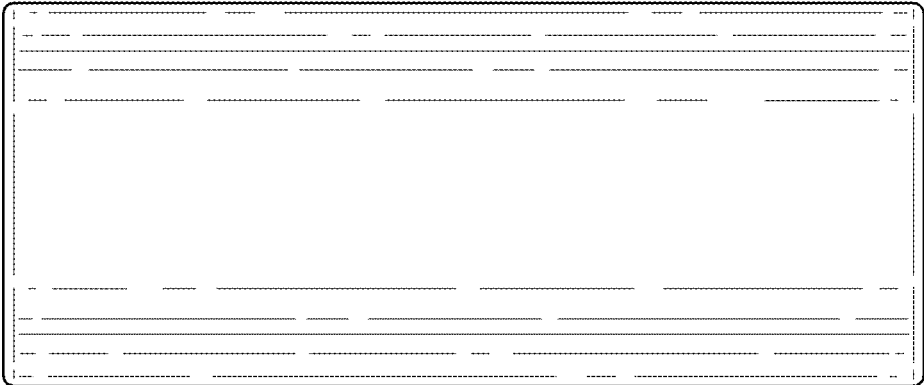
FIG. 2



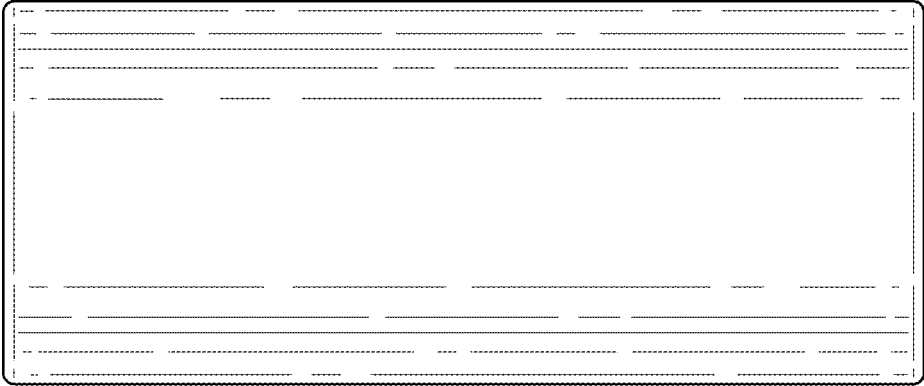
**FIG. 3**



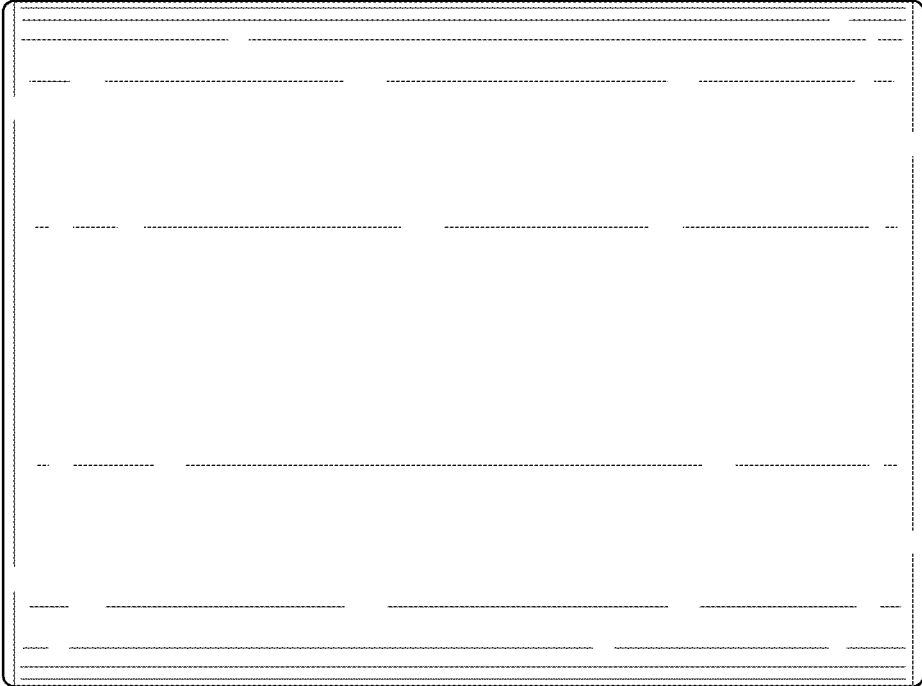
**FIG. 4**



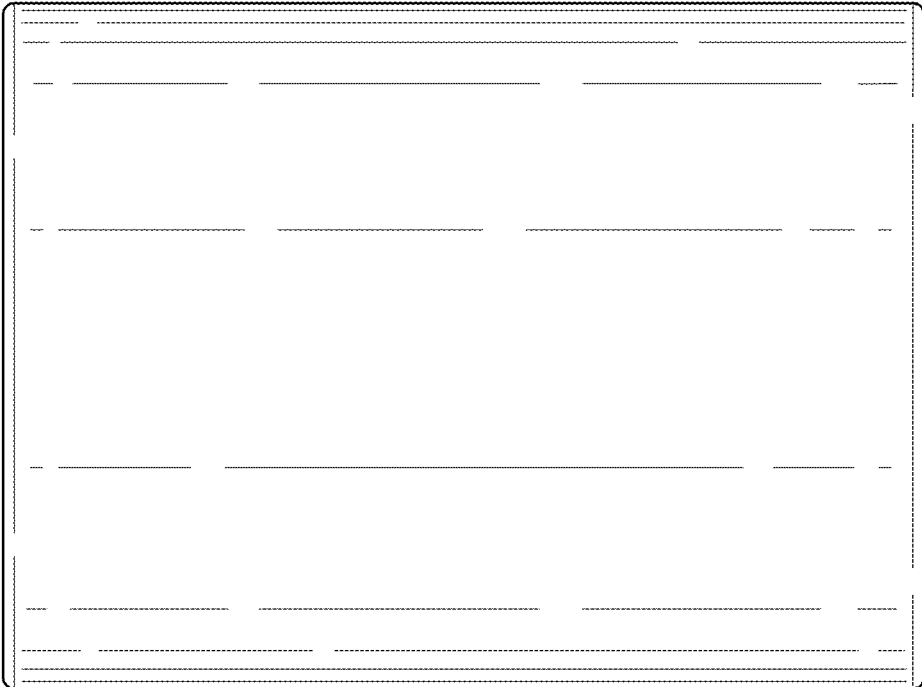
**FIG. 5**



**FIG. 6**



**FIG. 8**



**FIG. 7**