



US00D701639S

(12) **United States Design Patent**
Maxik et al.

(10) **Patent No.:** **US D701,639 S**

(45) **Date of Patent:** **** Mar. 25, 2014**

(54) **ELONGATE LIGHTING DEVICE**

(75) Inventors: **Fredric S. Maxik**, Indialantic, FL (US);
Erica Rene Voss, Indialantic, FL (US);
Ran Zhou, Melbourne, FL (US); **James Lynn Schellack**, Cocoa Beach, FL (US);
Addy S. Widjaja, Palm Bay, FL (US);
James Beahn, Malabar, FL (US)

(73) Assignee: **Lighting Science Group Corporation**,
Satellite Beach, FL (US)

(**) Term: **14 Years**

(21) Appl. No.: **29/411,719**

(22) Filed: **Jan. 25, 2012**

(51) **LOC (10) Cl.** **26-99**

(52) **U.S. Cl.**
USPC **D26/138**

(58) **Field of Classification Search**
USPC D26/2, 3, 24, 60–63, 65, 68, 70–72, 74,
D26/76, 80–87, 93, 113, 118, 120–122, 124,
D26/128, 130, 134, 137, 138, 141, 142, 145,
D26/152–155; D13/133.134, 136, 146, 178,
D13/180; 362/92, 102, 147, 327, 364, 367,
362/368, 405, 407, 413, 545; 165/80.3,
165/104.21, 104.33; 248/303; D8/354, 367,
D8/370; D25/38, 126; D6/524, 649
See application file for complete search history.

(56) **References Cited**

U.S. PATENT DOCUMENTS

D612,528 S *	3/2010	McGrath et al.	D26/76
D621,091 S *	8/2010	Klu	D26/138
D625,463 S *	10/2010	Klus	D26/138
D638,566 S *	5/2011	Goelz et al.	D26/75
D649,688 S *	11/2011	Trzesniowski	D26/138

* cited by examiner

Primary Examiner — Zenia Bennett

(74) *Attorney, Agent, or Firm* — Mark R. Malek; Zies
Widerman & Malek

(57) **CLAIM**

The ornamental design for an elongate lighting device, as shown and described.

DESCRIPTION

FIG. 1 is a perspective view of an elongate lighting device according to the present invention.

FIG. 2 is a left side elevation view of the lighting device illustrated in FIG. 1.

FIG. 3 is a right side elevation view of the lighting device illustrated in FIG. 1.

FIG. 4 is a rear elevation view of the lighting device illustrated in FIG. 1.

FIG. 5 is a front elevation view of the lighting device illustrated in FIG. 1.

FIG. 6 is a top plan view of the lighting device illustrated in FIG. 1.

FIG. 7 is a bottom plan view of the lighting device illustrated in FIG. 1.

FIG. 8 is a perspective view of another embodiment of an elongate lighting device according to the present invention.

FIG. 9 is a left side elevation view of the lighting device illustrated in FIG. 8.

FIG. 10 is a right side elevation view of the lighting device illustrated in FIG. 8.

FIG. 11 is a rear elevation view of the lighting device illustrated in FIG. 8.

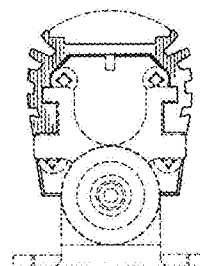
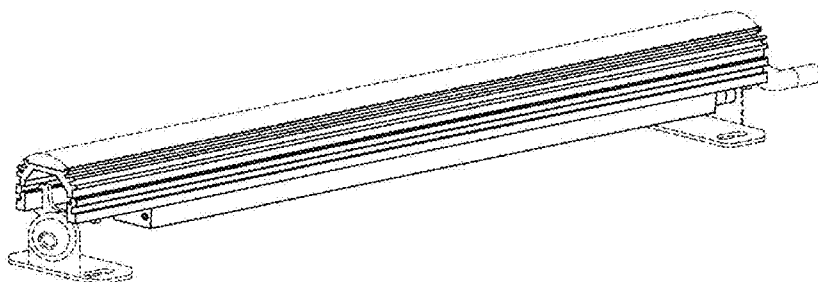
FIG. 12 is a front elevation view of the lighting device illustrated in FIG. 8.

FIG. 13 is a top plan view of the lighting device illustrated in FIG. 8; and,

FIG. 14 is a bottom plan view of the lighting device illustrated in FIG. 8.

The broken lines shown on the drawings depict environment only and form no part of the claimed design.

1 Claim, 4 Drawing Sheets



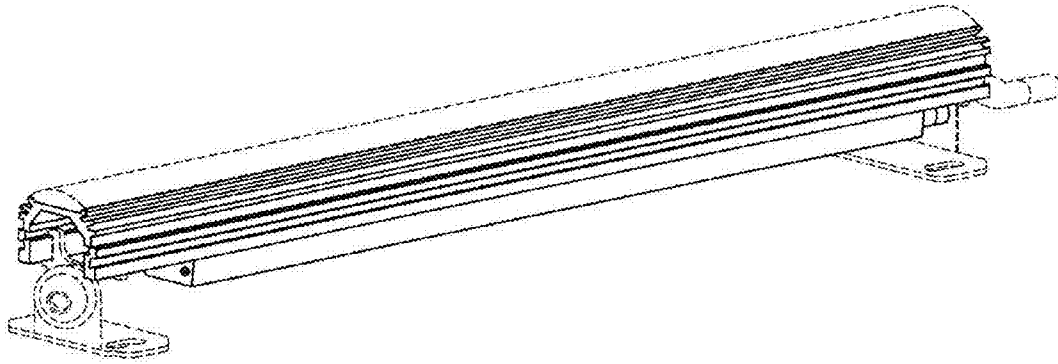


Fig. 1

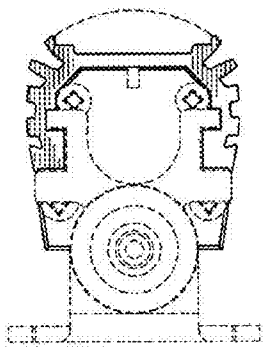


Fig. 2

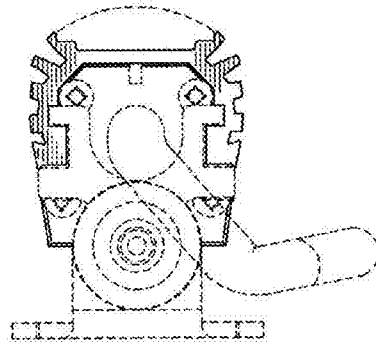


Fig. 3

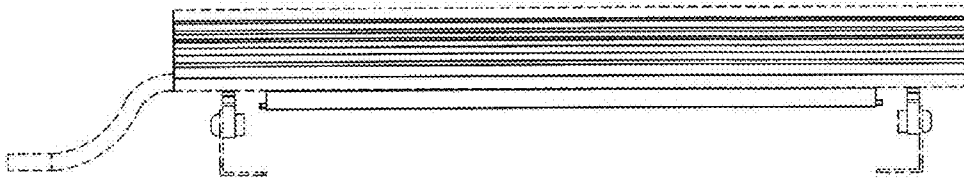


Fig. 4

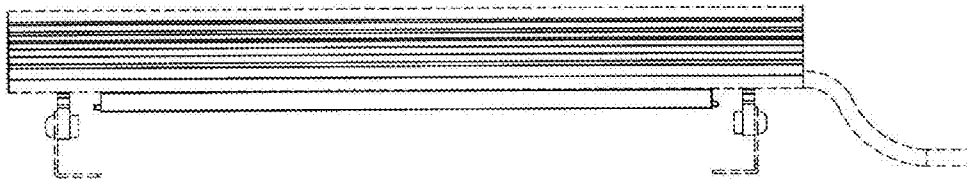


Fig. 5

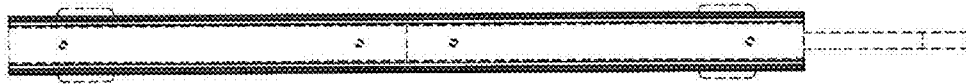


Fig. 6

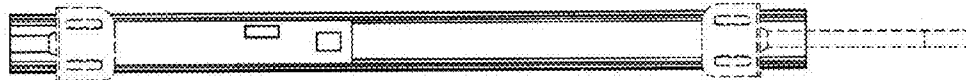


Fig. 7

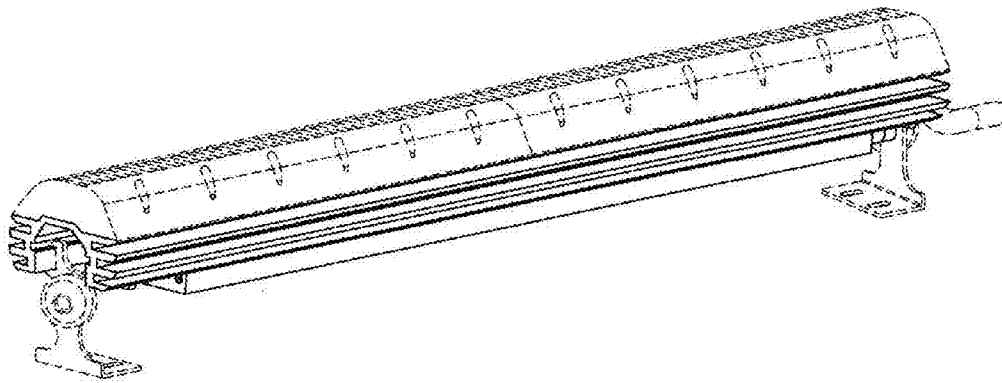


Fig. 8

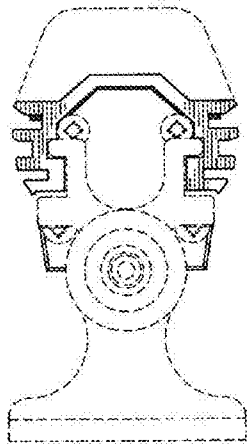


Fig. 9

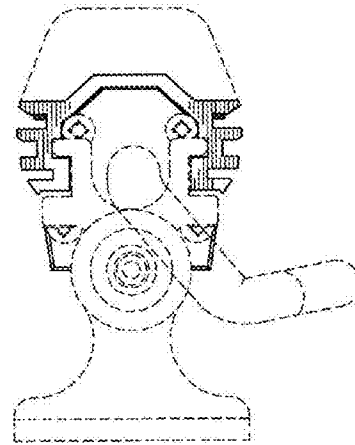


Fig. 10

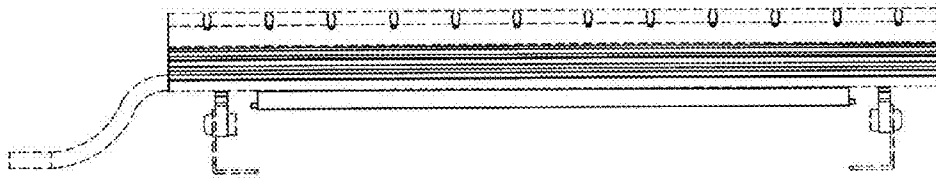


Fig. 11

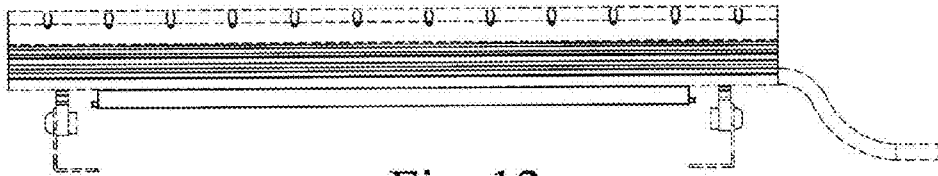


Fig. 12

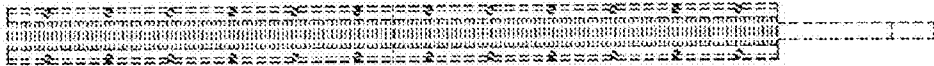


Fig. 13

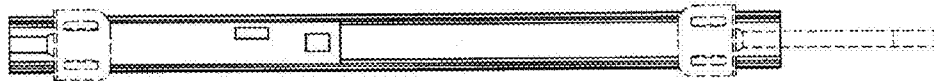


Fig. 14